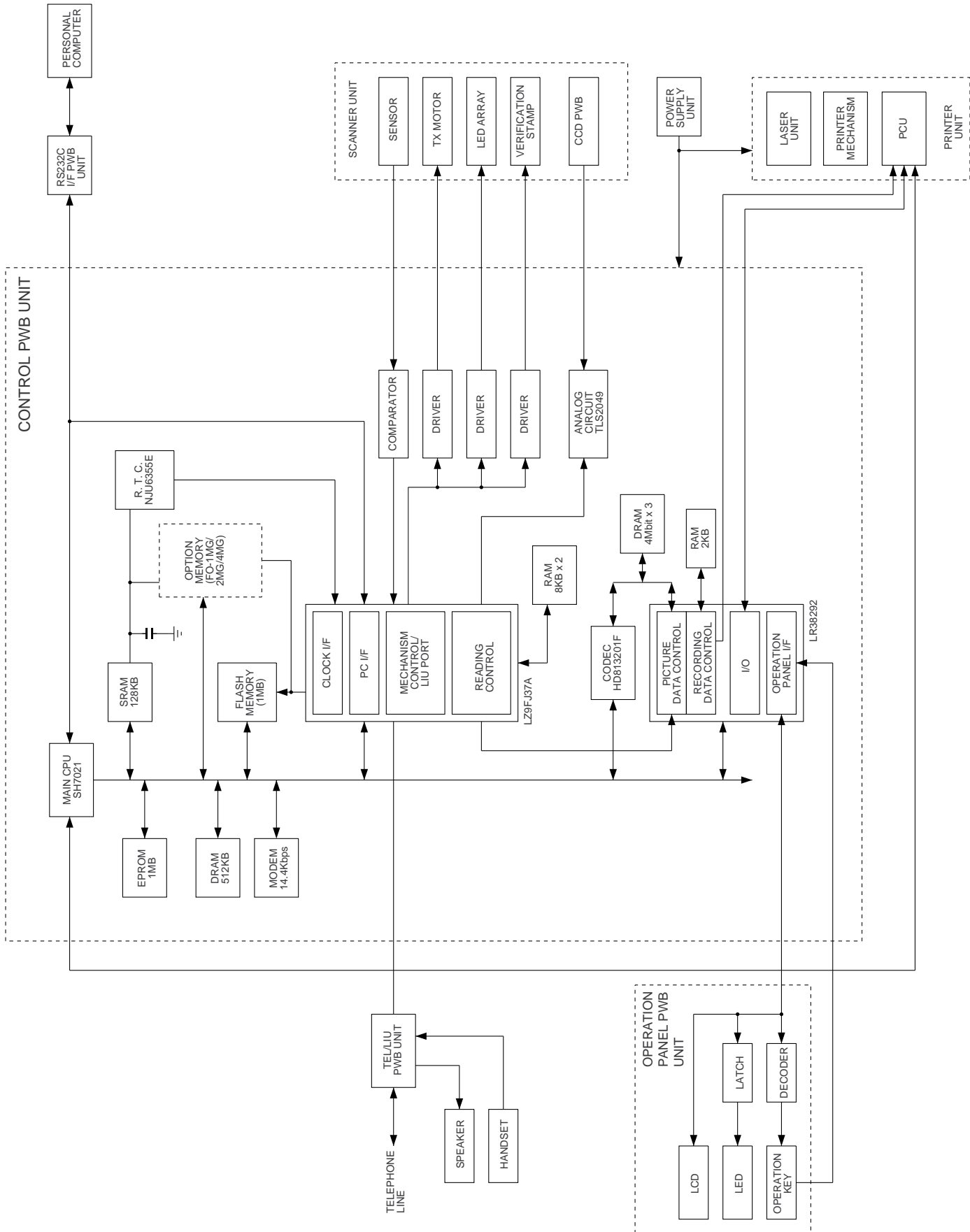
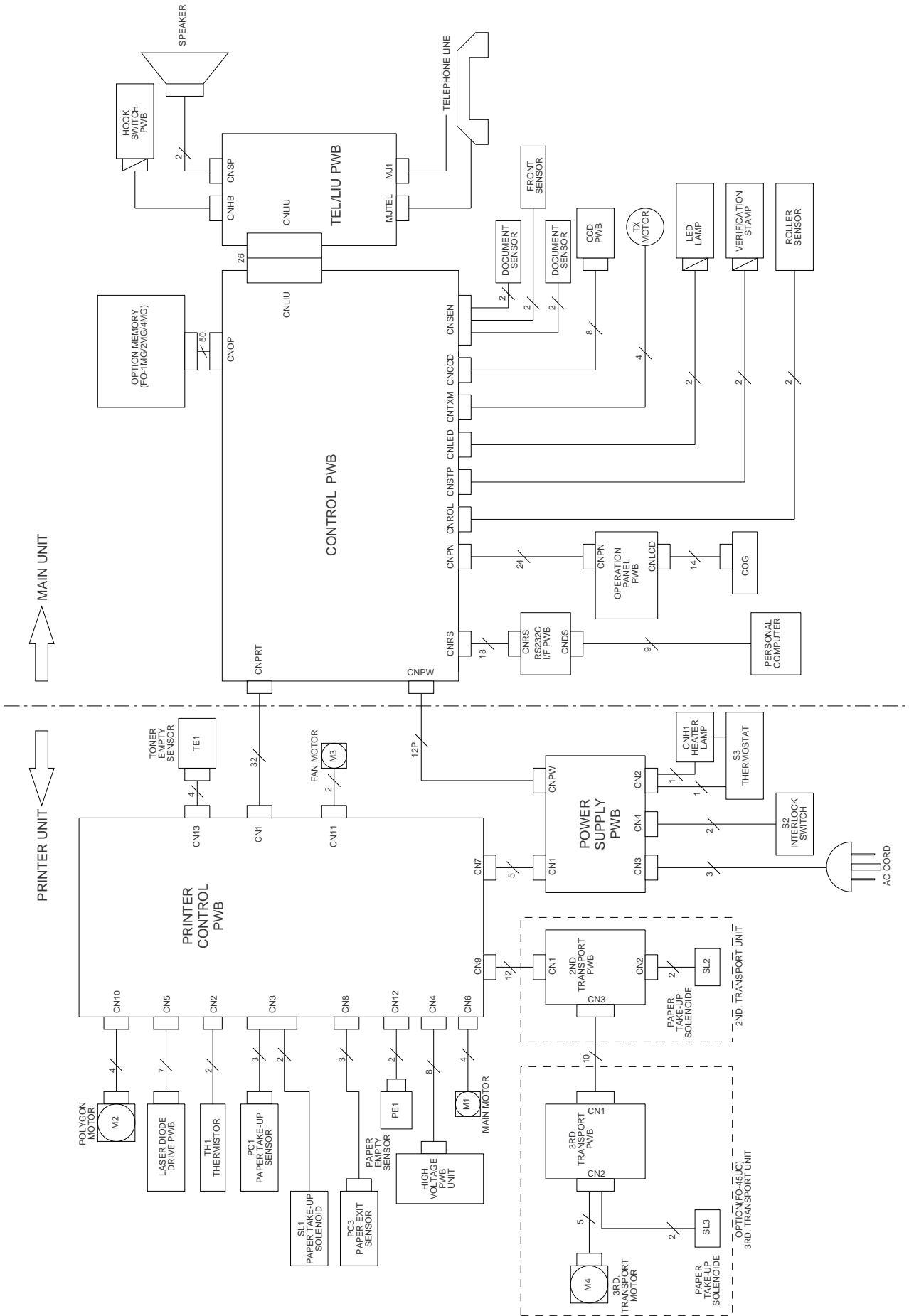


# CHAPTER 4. DIAGRAMS

## [1] Block diagram

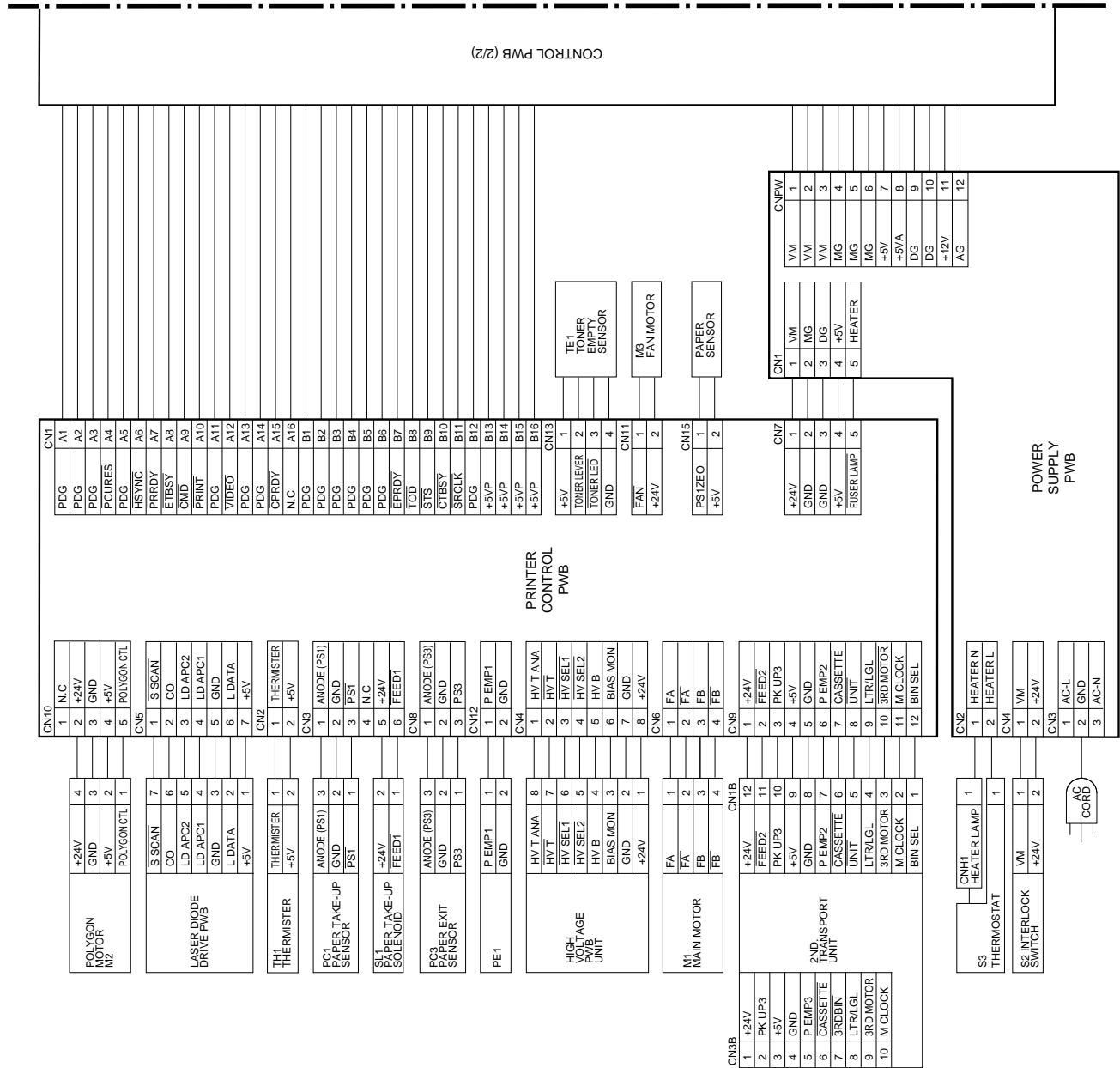


[2] Wiring diagram





Point to point diagram and connector signal name (2)



MEMO