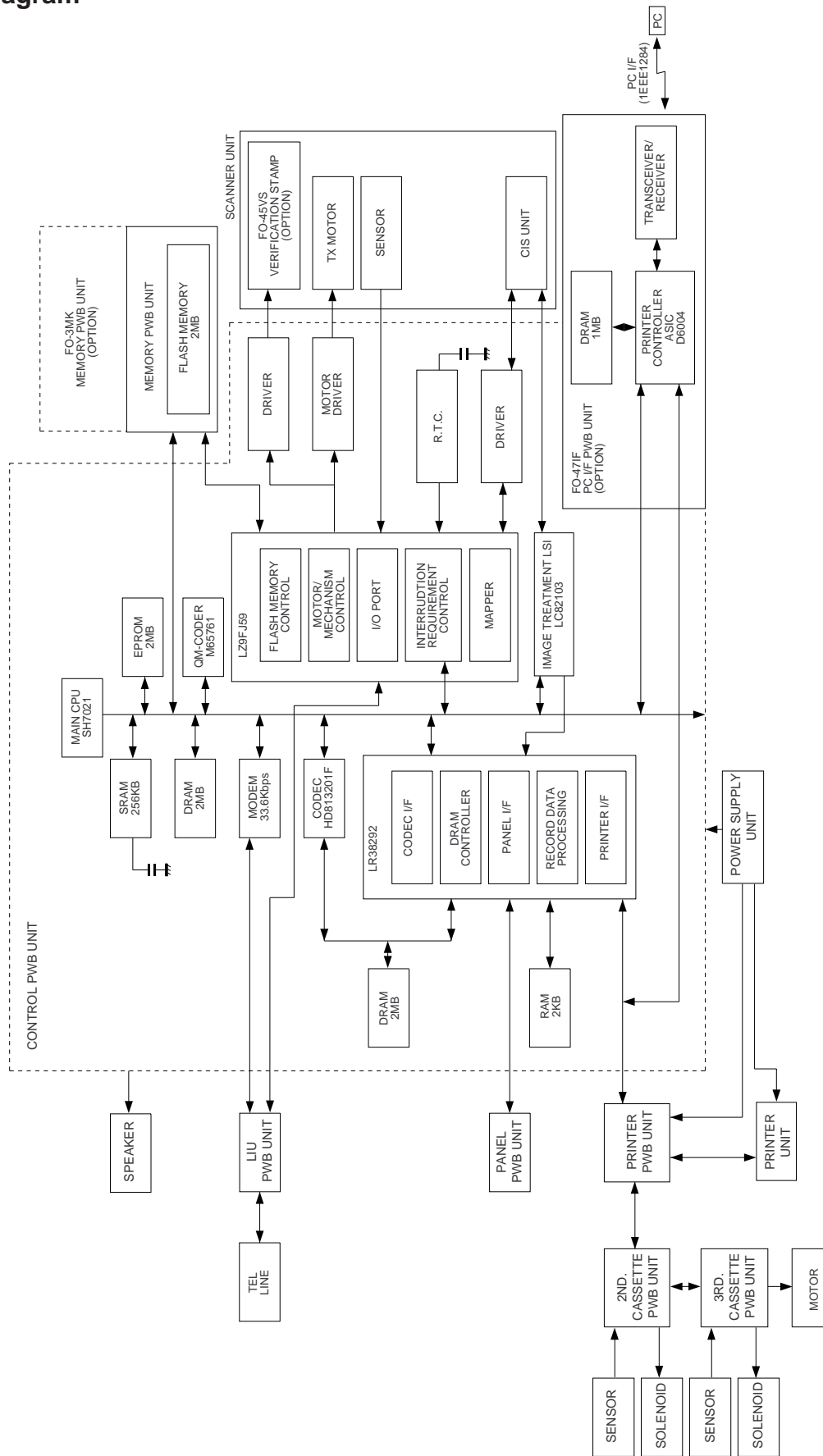
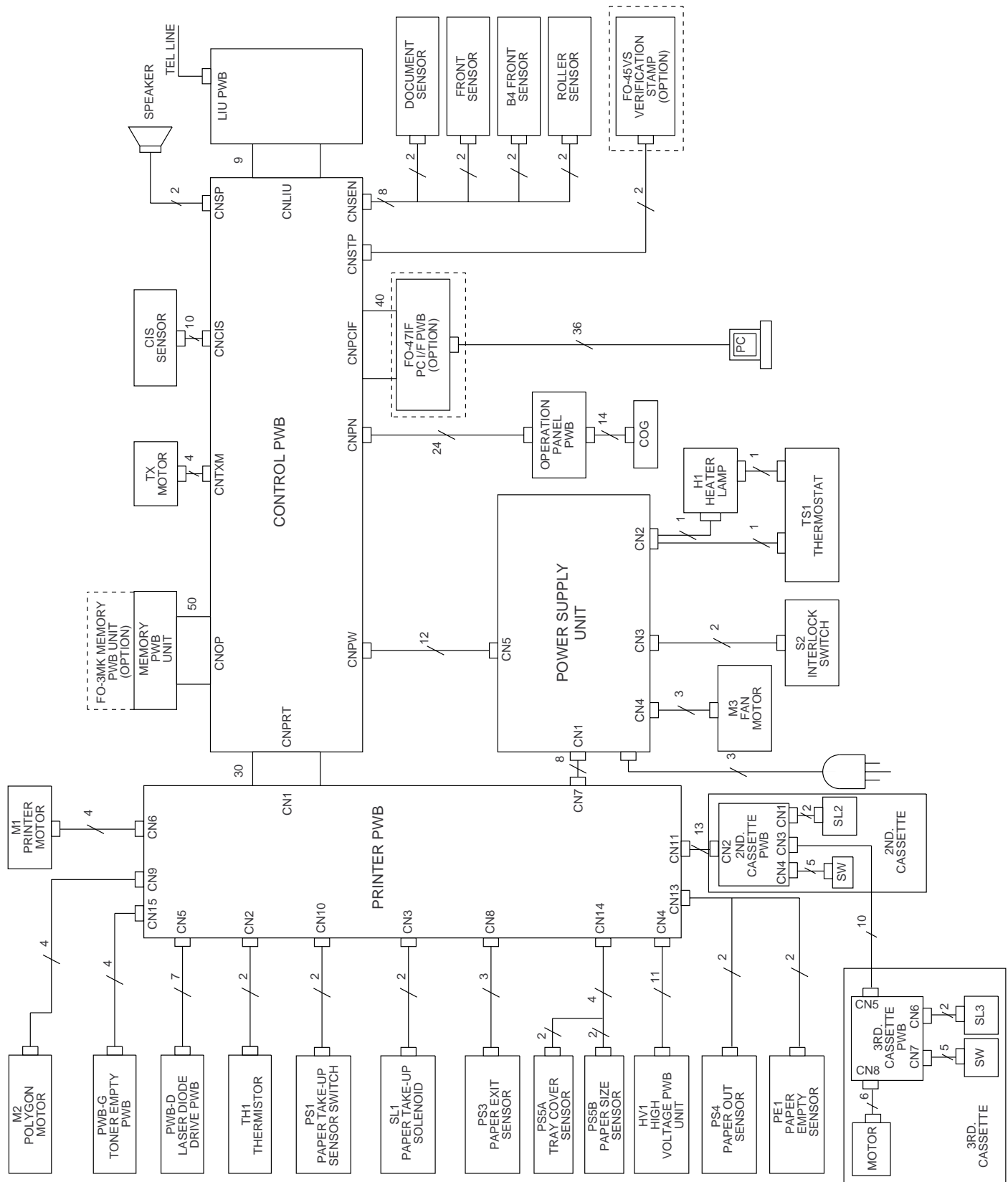


CHAPTER 4. DIAGRAMS

[1] Block diagram



[2] Wiring diagram



Point- to-point diagram and connector signal name (2)

