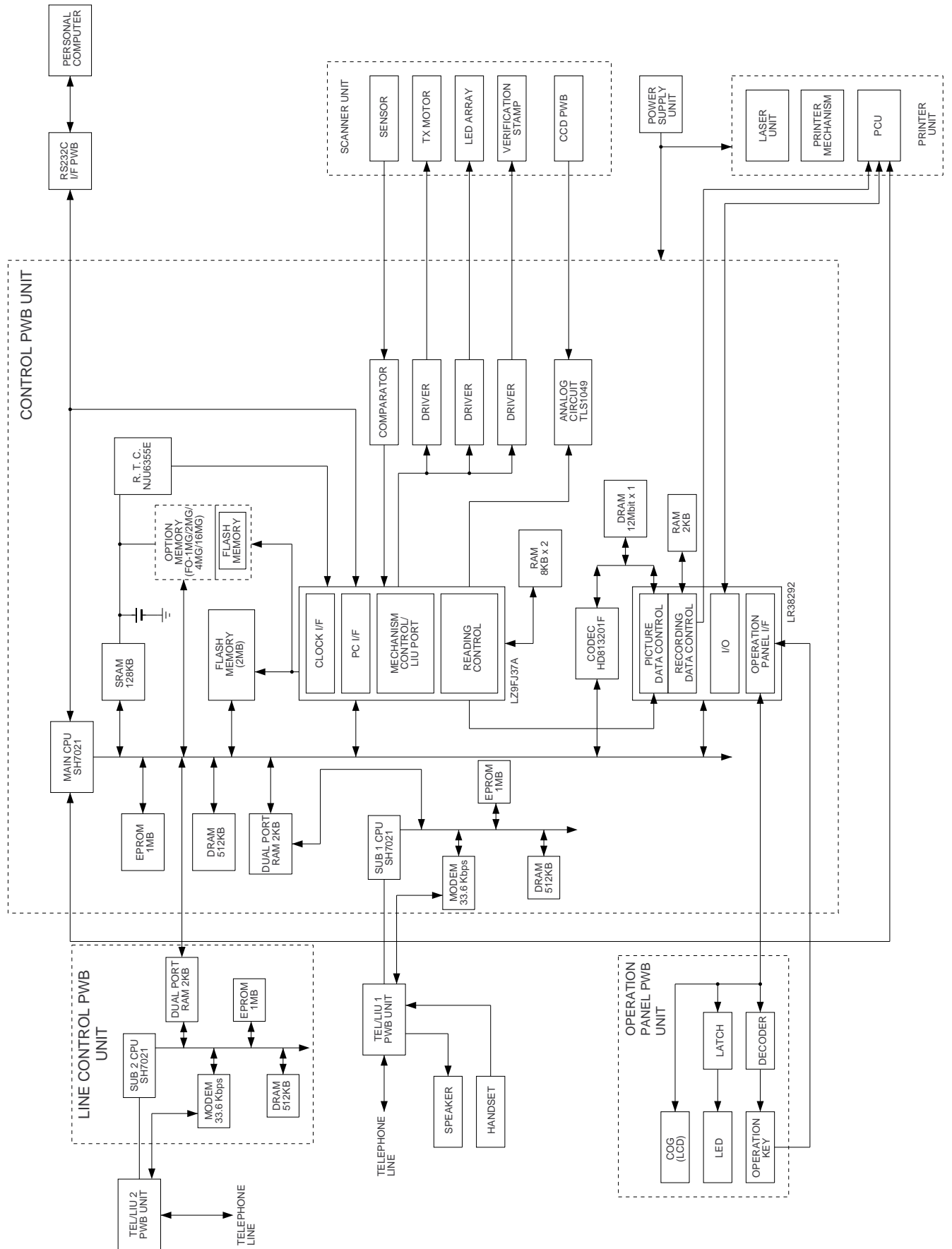
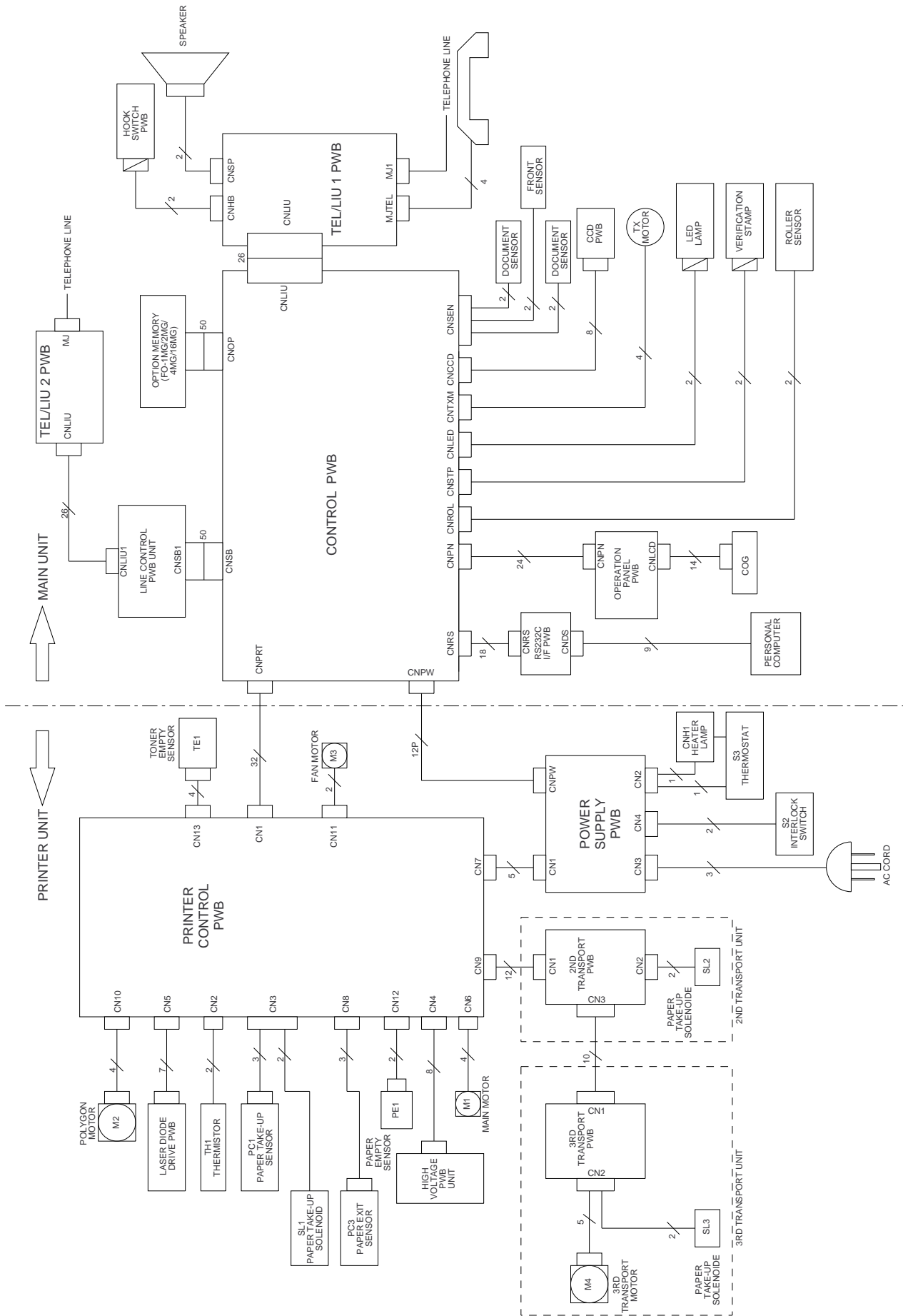


# CHAPTER 4. DIAGRAMS

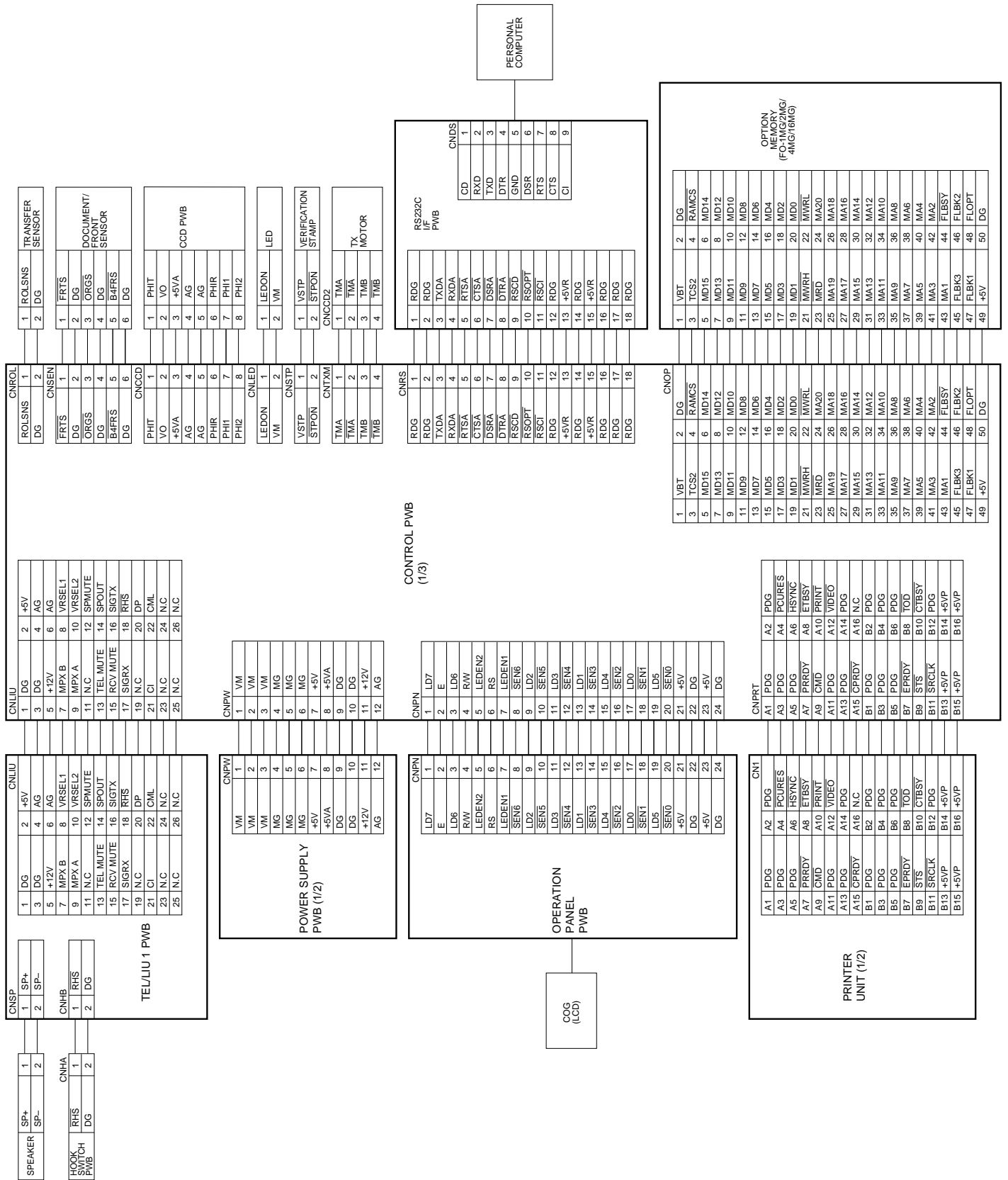
## [1] Block diagram



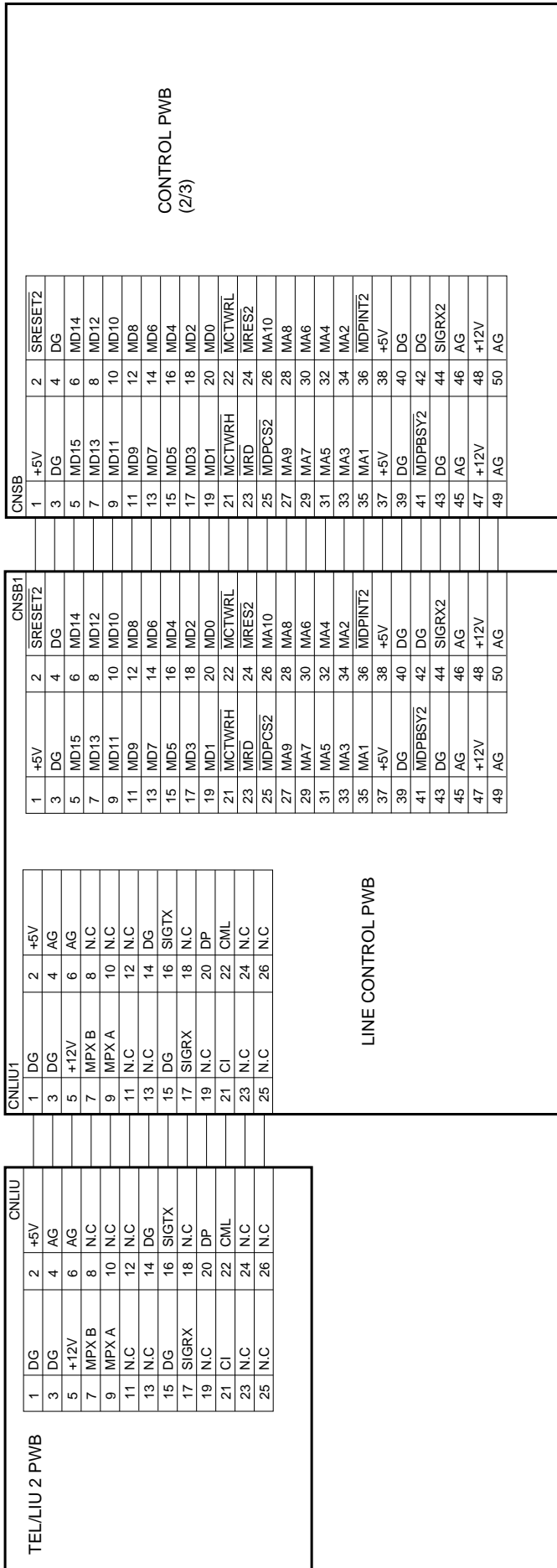
[2] Wiring diagram



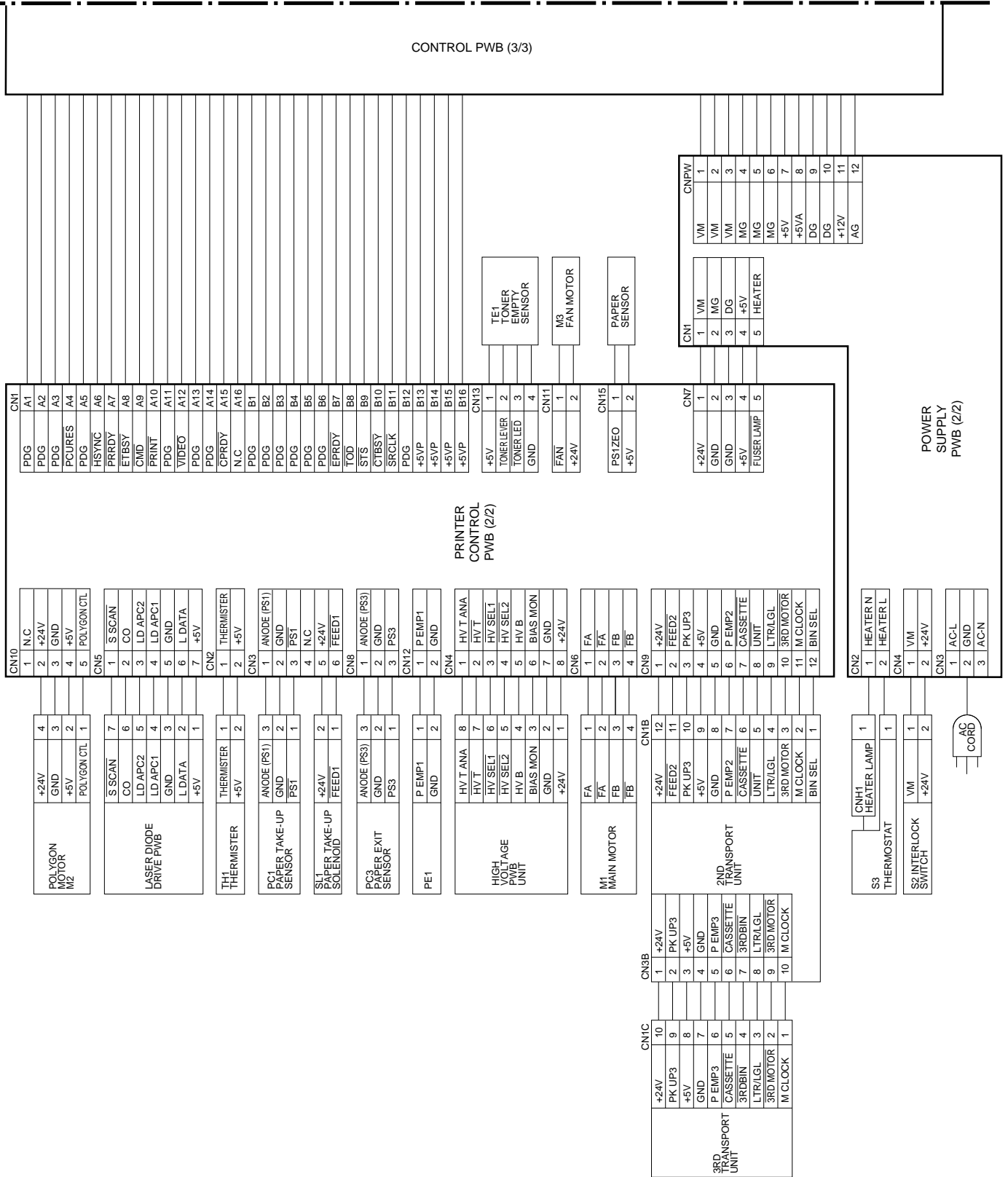
[3] Point- to-point diagram and connector signal name (1)



Point to point diagram and connector signal name (2)



### Point to point diagram and connector signal name (3)



MEMO