

CHAPTER 8. OTHERS

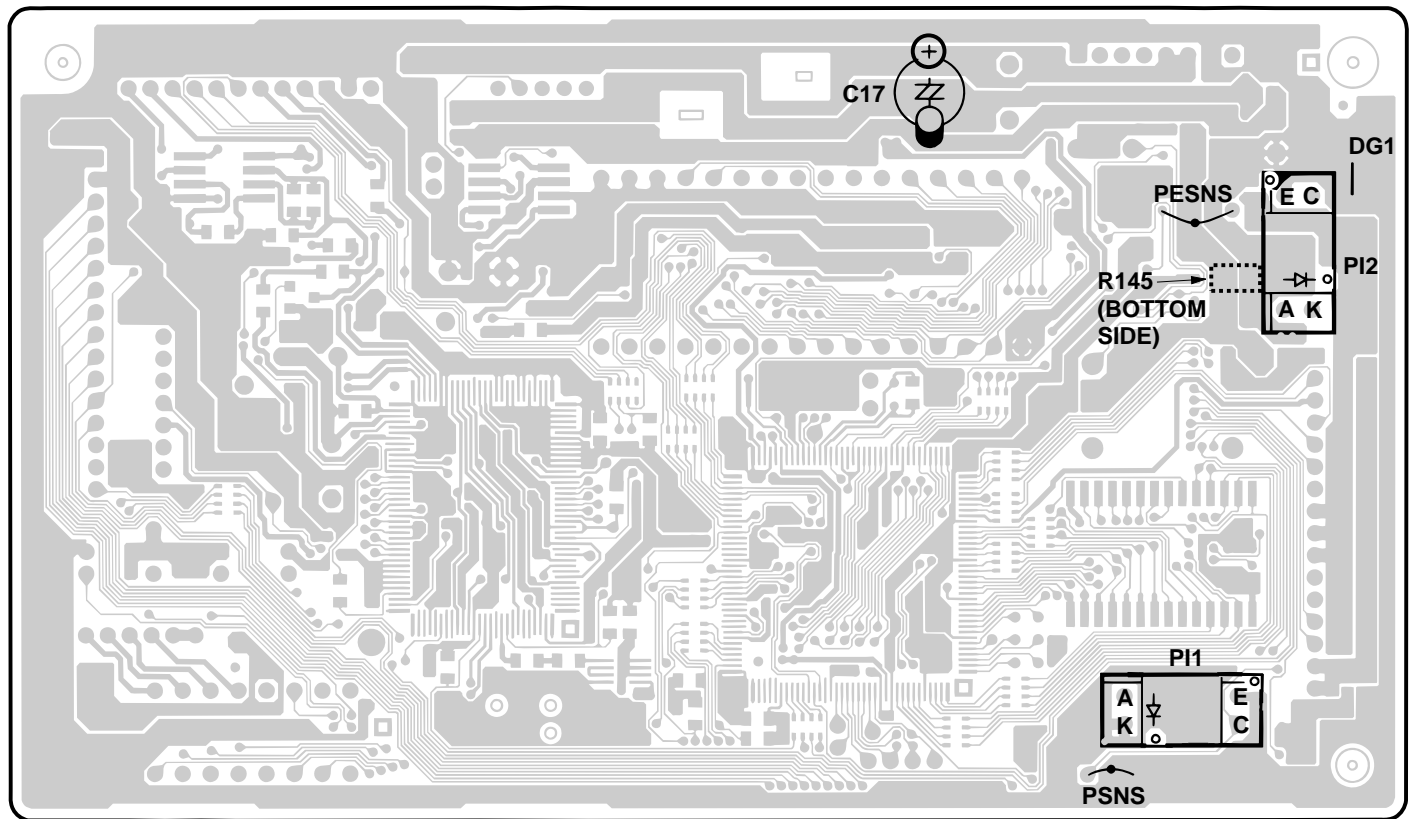
[1] Service tools

1. List

NO.	PARTS CODE	DESCRIPTION	Q'TY	PRICE RANK
1	CPWBS3045SCS1	Extension board unit (Control PWB)	1	AR
2	PSHEZ3354SCZZ	Shading wave memory standard paper	1	AD

Extension board unit

EXTENSION CONTROL PWB

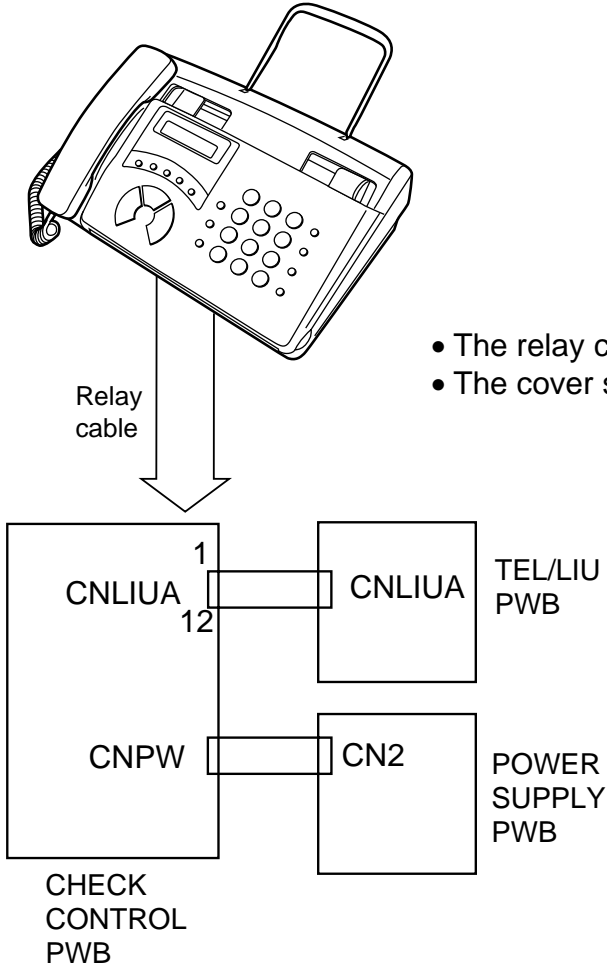


NO.	PARTS CODE	DESCRIPTION	Q'TY	PRICE RANK
1	CCNW-4756SC01	SPEAKER RELAY CABLE	1	AK
2	CCNW-4758SC01	CIS RELAY CABLE	1	AQ
3	CCNW-4759SC01	HEAD RELAY CABLE	1	AX
4	CCNW-4760SC01	CAM SWITCH RELAY CABLE	1	AK
5	CCNW-4761SC01	FRONT SENSOR RELAY CABLE	1	AK
6	CCNW-4763SC01	MOTOR RELAY CABLE	1	AP
7	QCNW-4969SCZZ	SENSOR RELAY CABLE	1	BF
8	CCNW-274ASC01	PANEL RELAY CABLE	1	AU
9	CCNW-275ASC01	DOOR SWITCH RELAY CABLE	1	AL
10	CCNW-276ASC01	CUTTER RELAY CABLE	1	AH
11	VRS-TS2AD102J	RESISTOR (1/10W 1KΩ ±5%)[R145]	1	AA
12	VHPSG206S// -1	PHOTO TRANSISTOR [PI1]	1	AG
13	VHPSG206S// -1	PHOTO TRANSISTOR [PI2]	1	AG

2. Description

2-1. Relay board unit

1. Remove the TEL/LIU PWB, control PWB and Power Supply PWB from this unit, and mount the relay board unit instead.
 - Before connecting the wiring to the relay board unit, set the test PWB switches to the fixed position.
2. The setting is as follows.

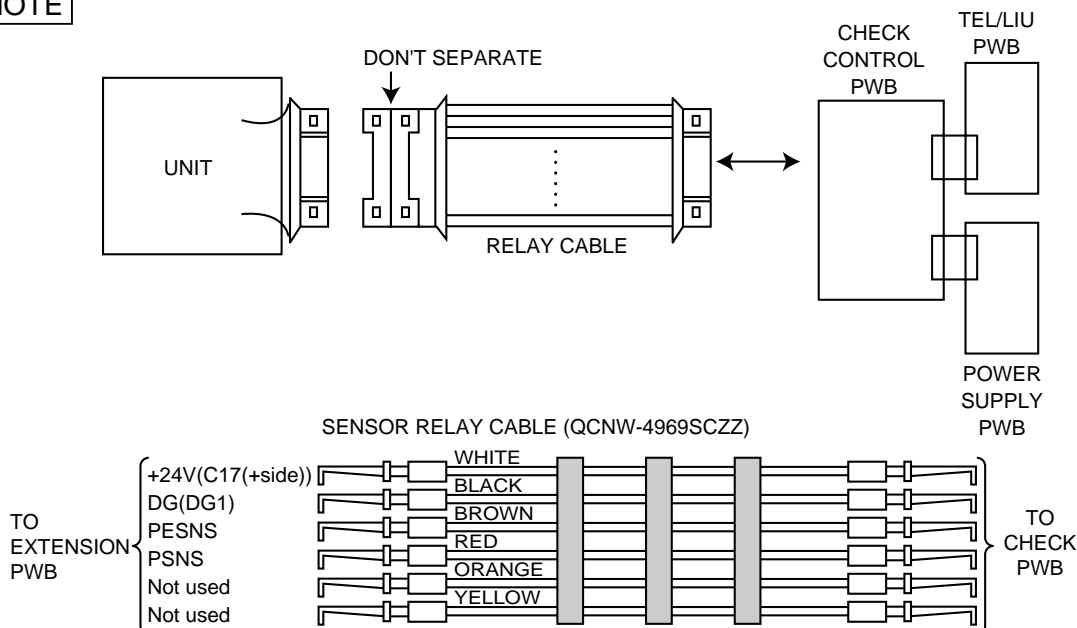


The recording paper sensor (PI1) and the hook switch are operated by OR of the mechanical unit switch and the test PWB switch. When performing installation in the machine unit, set the test PWB switches to the fixed position.

	Mechanical unit	PWB to be tested
Actual operation with mechanical unit		
Recording paper sensor	ON/OFF operation	OFF (Photo interrupter is interrupted.)
Hook SW	ON/OFF operation	ON-HOOK
PWB sensor check		
Recording paper sensor	OFF	ON/OFF operation
Hook SW	ON-HOOK	ON/OFF operation

* Recording paper: ON
No recording paper: OFF

NOTE



FO-77U
UX-66U

3. Shading paper

The white and black basis is applied to remember the shading waveform. Be sure to perform this operation when replacing the battery or replacing the control PWB. Execute in the shading mode of DIAG mode.

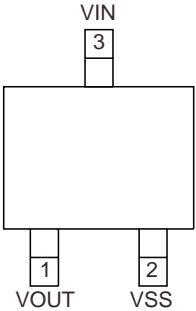
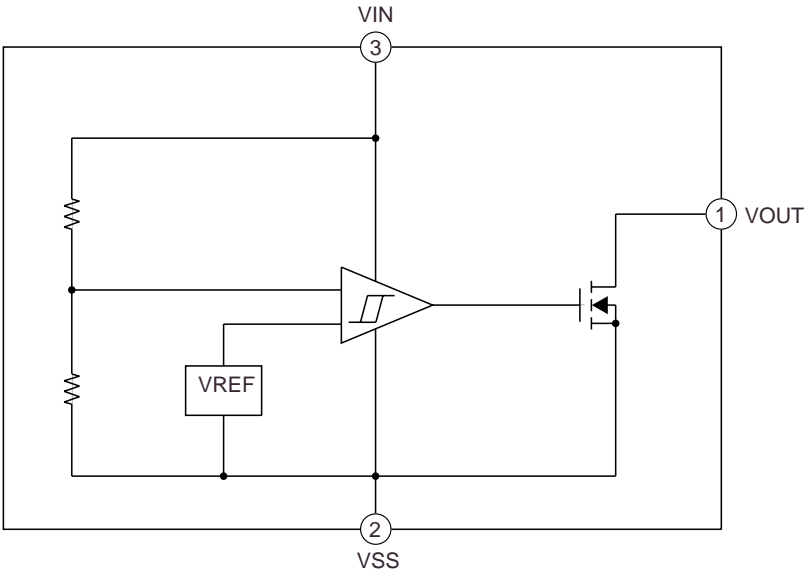
UX-108 SERIES SHADING WAVE MEMORY STANDARD PAPER (PSHEZ3354SCZZ)



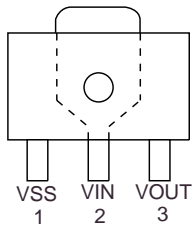
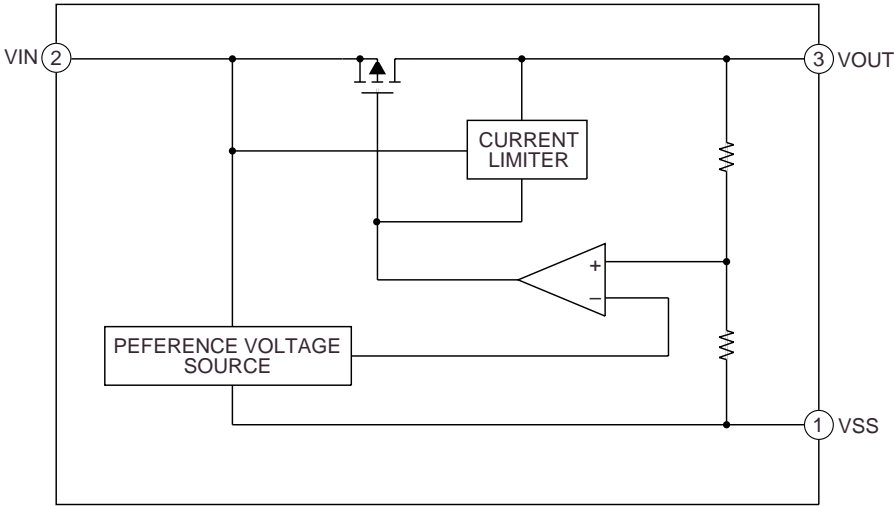
[2] IC signal name

CONTROL PWB UNIT

IC101: VHiXC61AN45M1 (XC61AN4502ML)

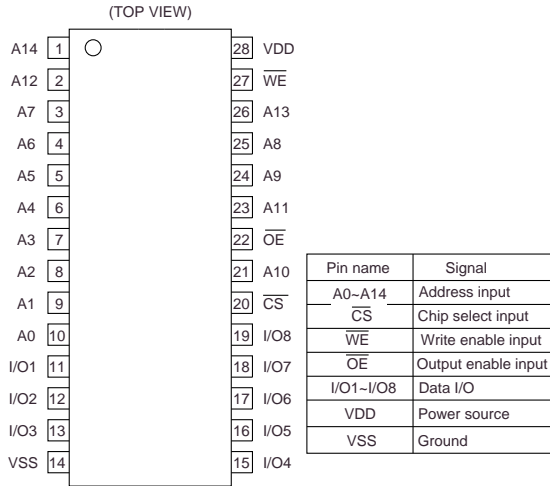


REG100: VHi62FP332P-1 (XC62FP3302P)

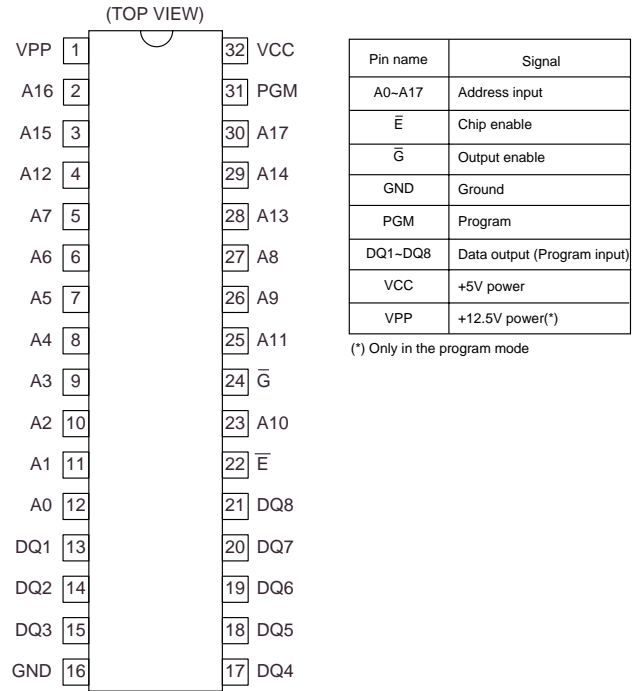


FO-77U
UX-66U

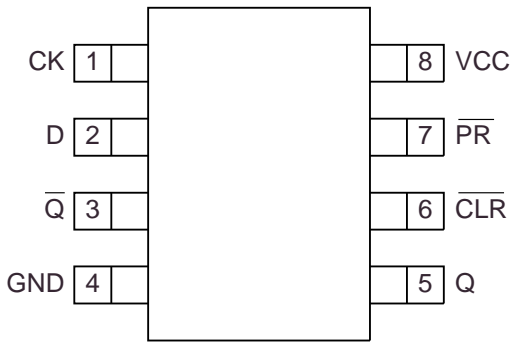
IC3: VHiW24258S7LE (W24258S-70LE)



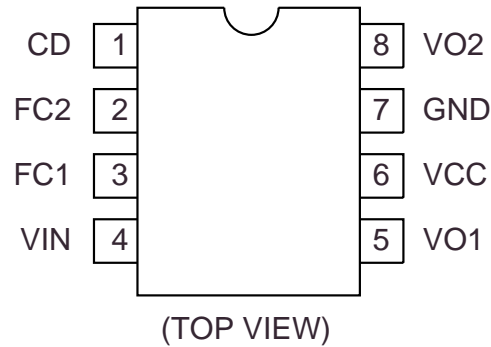
IC5: VHiW27E010-12 (27E010) ROM



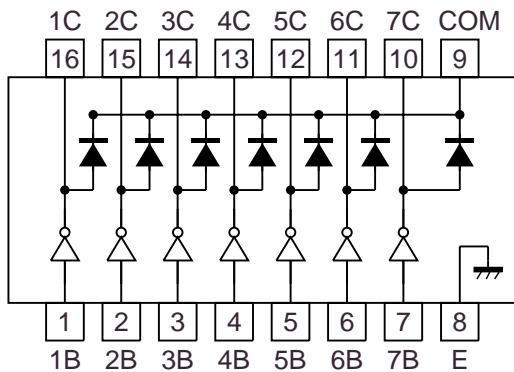
IC1: VHiTC7WT74FU1 (TC7WT74)



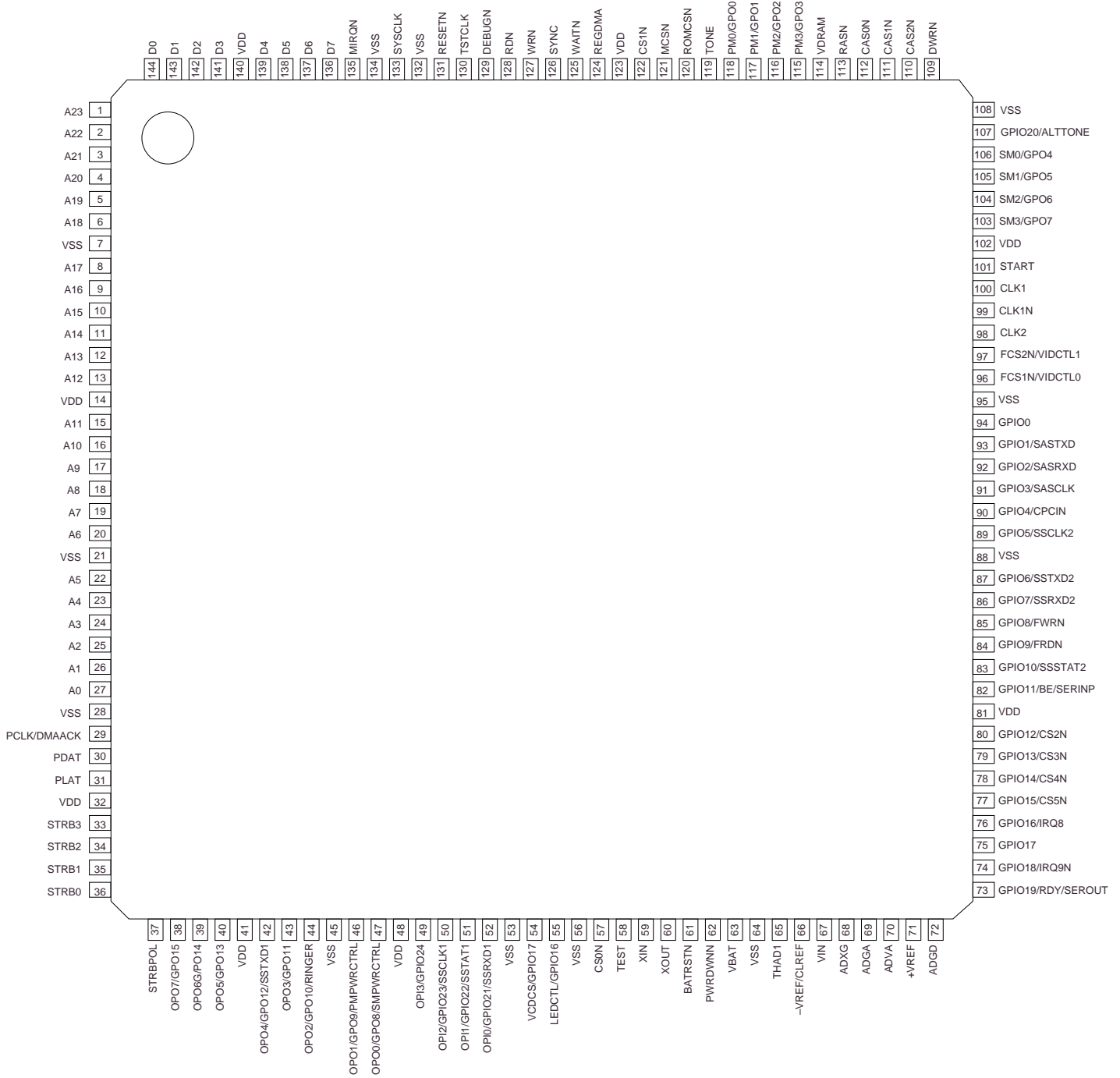
IC6: VHiNJM2113M-1 (NJM2113M)



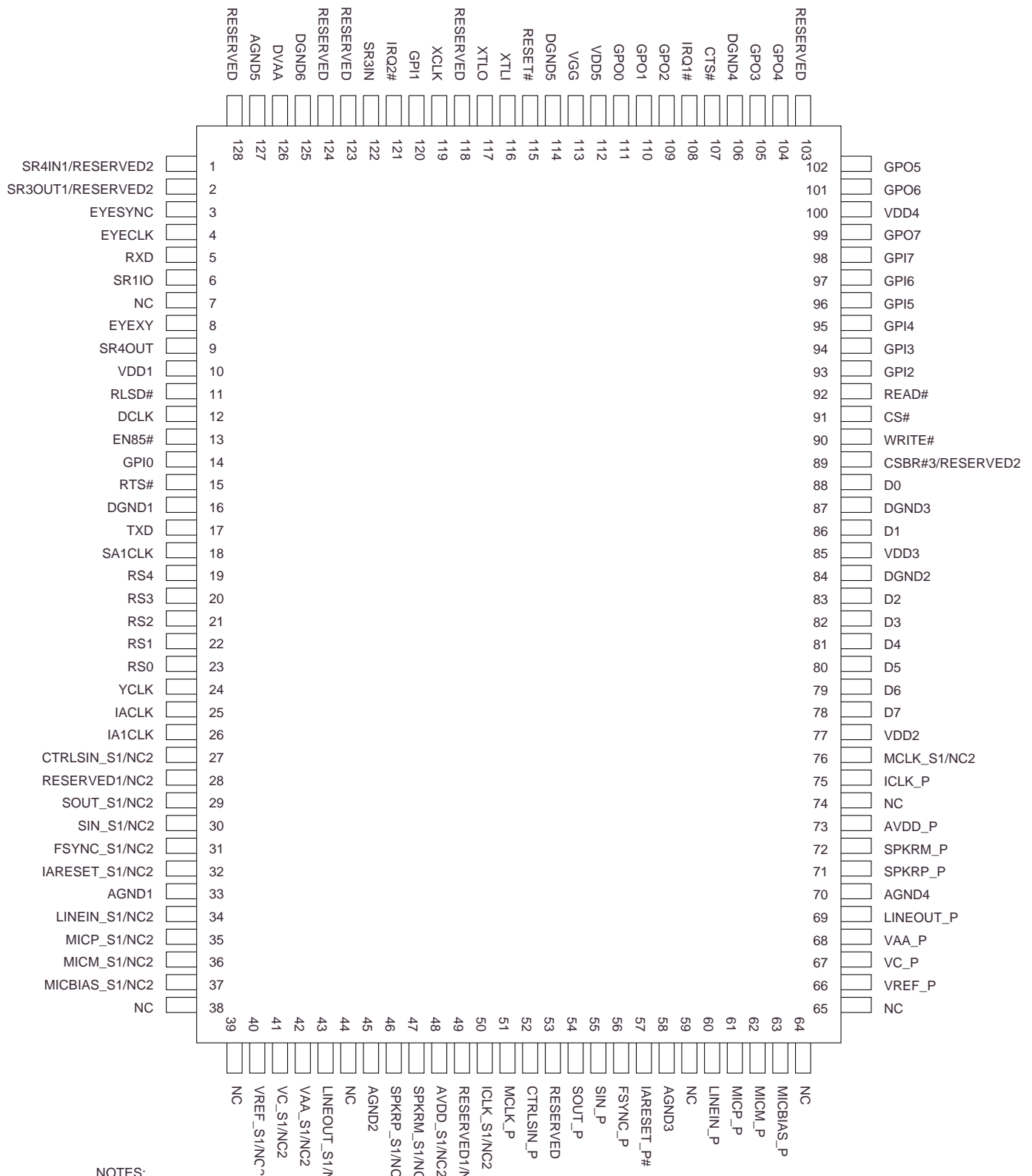
IC8: VHiULN2003AN/ (ULN2003ANS)



IC2: VHiFC2FM209-1 (FC200)



IC4: VHiFC2FM209-1 (FM209)



NOTES:
1 FOR -S OPTIONS
2 FOR ALL OTHER OPTIONS
3 FOR -R OPTIONS

SHARP PARTS GUIDE

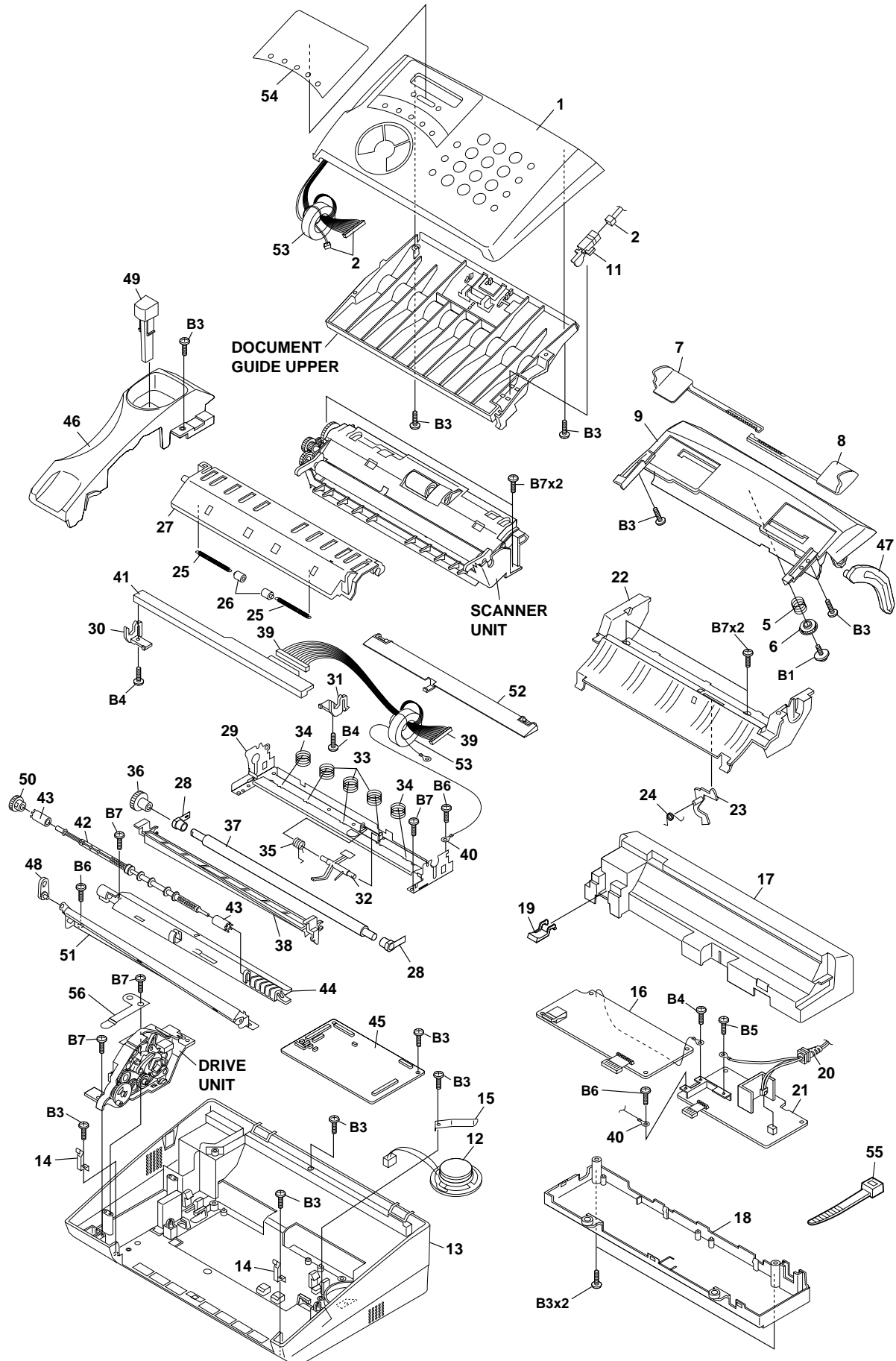
FO-77 MODEL UX-66

CONTENTS

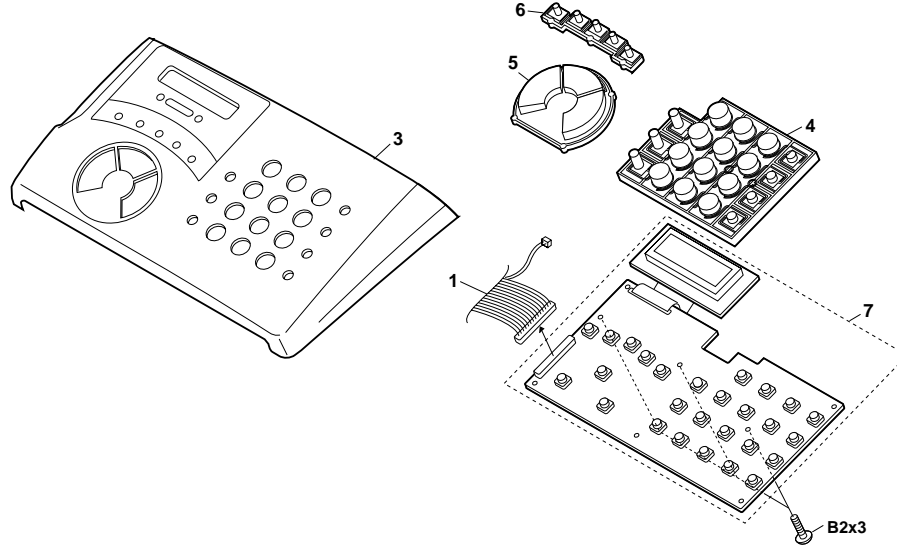
- | | |
|------------------------|---|
| 1 Cabinet, etc. | 6 Packing material & Accessories (FO-77U) |
| 2 Scanner unit | 7 Packing material & Accessories (UX-66U) |
| 3 Upper cabinet | 8 Control PWB unit |
| 4 Document guide upper | 9 TEL-Liu PWB unit |
| 5 Drive unit | 10 Power supply PWB unit |
| | ■ Index |

Because parts marked with "△" is indispensable for the machine safety maintenance and operation, it must be replaced with the parts specific to the product specification.

[1] Cabinet, etc.

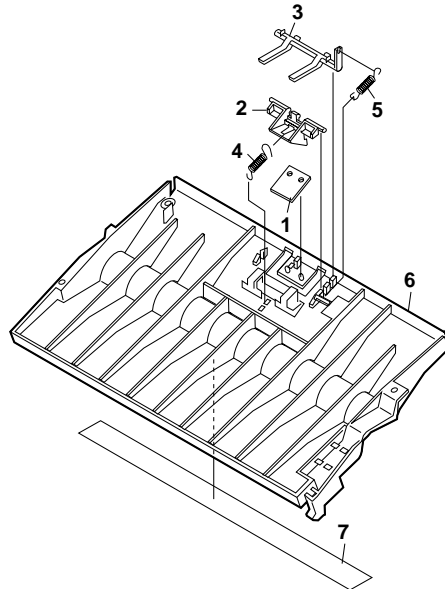


[3] Upper cabinet



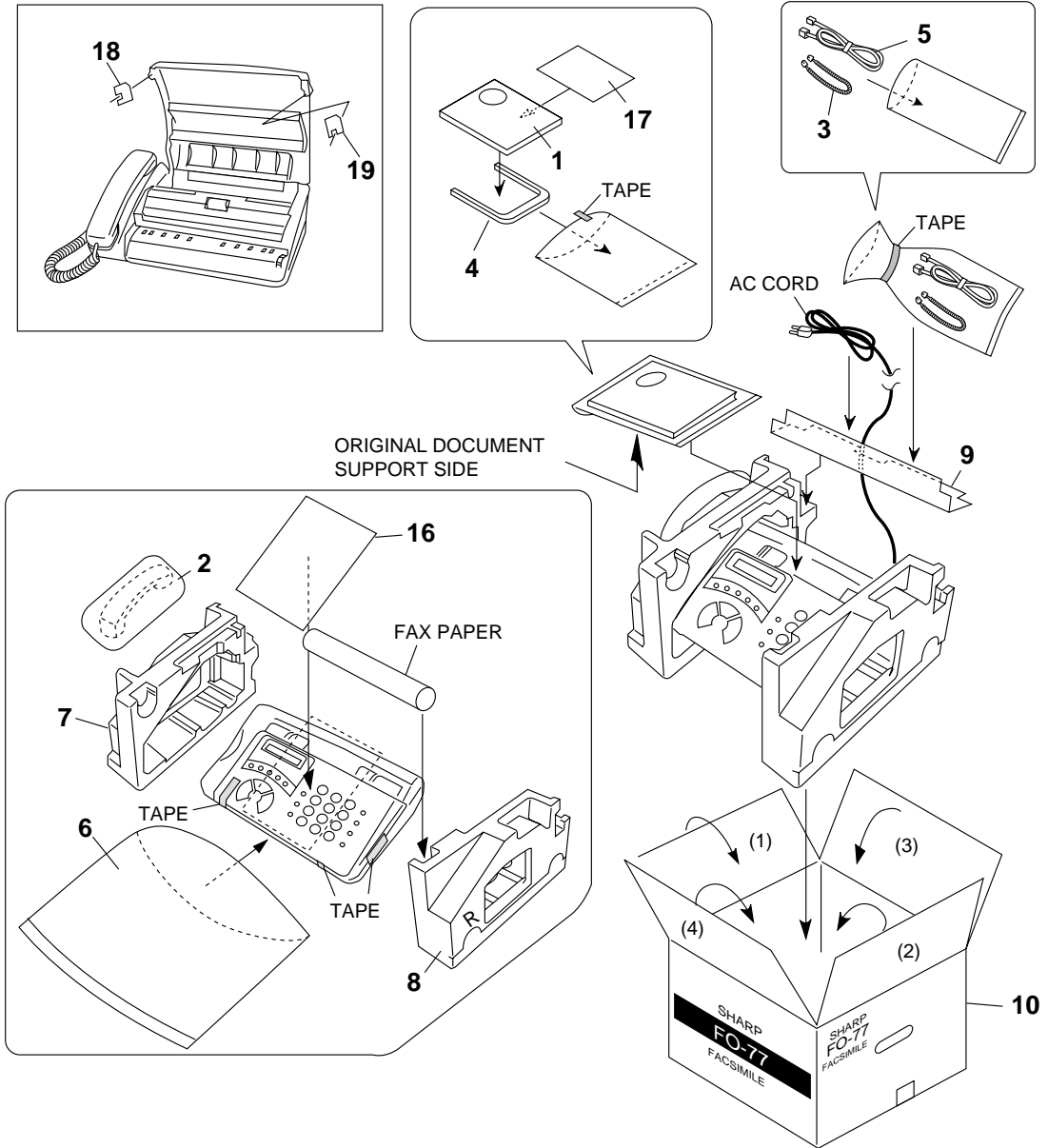
NO.	PARTS CODE	PRICE RANK	NEW MARK	PART RANK	DESCRIPTION
[3] Upper cabinet					
1	CCNW-212AXH01	AK	N	C	Panel cable ass'y
3	GCABA2342XHSB	AH	N	D	Upper cabinet [77U]
	GCABA2342XHSA	AH	N	D	Upper cabinet [66U]
4	JBTN-2257XHSB	AD	N	C	12 key [77U]
	JBTN-2257XHSA	AD	N	C	12 key [66U]
5	JBTN-2258XHSB	AC	N	C	Start key [77U]
	JBTN-2258XHSA	AC	N	C	Start key [66U]
6	JBTN-2261XHSB	AC	N	C	Direct key [77U]
	JBTN-2261XHSA	AC	N	C	Direct key [66U]
7	DCEKP482BXH01	AQ	N	E	Operation panel PWB unit
B2	XUBSD20P06000 (Unit)	AA		C	Screw(2x6)
901	DCEKP481BXH03	AP	N	E	Operation panel unit [77U]
	DCEKP481BXH01	AP	N	E	Operation panel unit [66U]

[4] Document guide upper



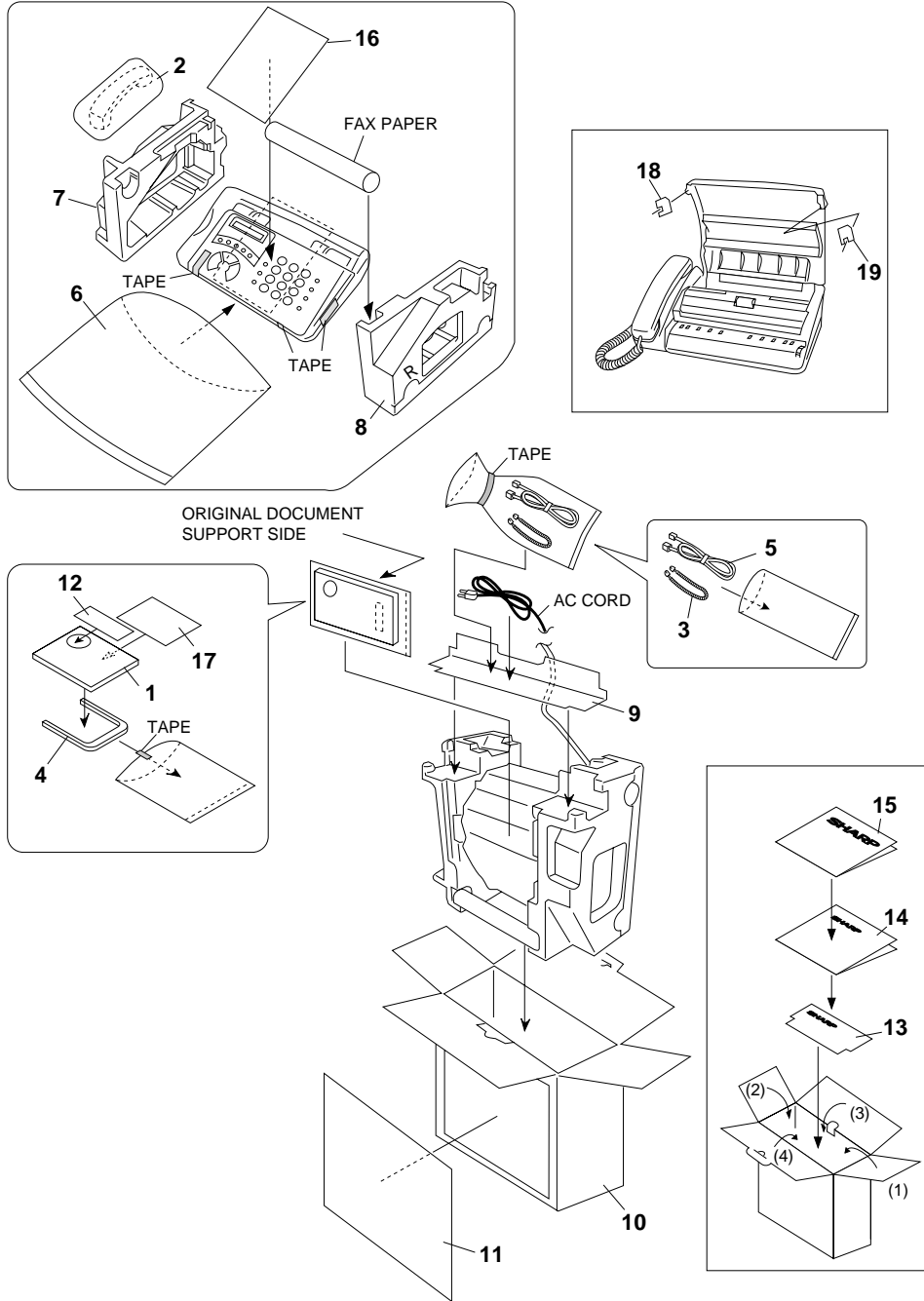
NO.	PARTS CODE	PRICE RANK	NEW MARK	PART RANK	DESCRIPTION
[4] Document guide upper					
1	LPLTG2911XHZZ	AE		C	Separator rubber
2	LPLTP2908XHZZ	AE		C	Separator plate
3	LPLTP3051XHZZ	AB	N	C	Feed plate
4	MSPRT3140XHZZ	AA	N	C	Separate spring
5	MSPRT3139XHZZ	AA	N	C	Feed spring
6	PGIDM2554XHZZ	AF	N	C	Document guide upper
7	PSHEZ3510XHZZ		N	C	Blind sheet

[6] Packing material & Accessories (FO-77U)



NO.	PARTS CODE	PRICE RANK	NEW MARK	PART RANK	DESCRIPTION
[6] Packing material & Accessories(FO-77U)					
1	TINSE4017XHZZ	AG	N	D	Operation manual
2	DUNTK468BXHOG	AH	N	E	Handset
3	QCNW-3976XHOG	AT		C	Handset cord
4	PHOP-2105XHZZ	AD	N	C	Original document support
5	QCNW-3975XHGY	AG		C	Telephone line cord
6	SPAKP296BXHZZ	AE	N	D	Vinyl cover
7	SPAKA287BXHZZ	AE	N	D	Packing add.,left
8	SPAKA288BXHZZ	AE	N	D	Packing add.,right
9	SPAKA289BXHZZ	AC	N	D	Pad
10	SPAKC149BXHZZ	AH	N	D	Packing case
16	TCADZ2935XHZZ		N	D	Caution sheet
17	TCADZ2926XHZZ		N	D	Errata sheet
18	SPAKA388BXHZZ		N	D	Protection sheet, left
19	SPAKA389BXHZZ		N	D	Protection sheet, right

[7] Packing material & Accessories (UX-66U)



NO.	PARTS CODE	PRICE RANK	NEW MARK	PART RANK	DESCRIPTION
[7] Packing material & Accessories(UX-66U)					
1	TINSE4010XHZZ	AG	N	D	Operation manual
2	DUNTK468BXHBG	AH	N	E	Handset
3	QCNW-3976XHBG	AK		C	Handset cord
4	PHOP-2105XHZZ	AD	N	C	Original document support
5	QCNW-3975XHGY	AG		C	Telephone line cord
6	SPAKP296BXHZZ	AE	N	D	Vinyl cover
7	SPAKA287BXHZZ	AE	N	D	Packing add.,left
8	SPAKA288BXHZZ	AE	N	D	Packing add.,right
9	SPAKA289BXHZZ	AC	N	D	Pad
10	SPAKC124BXHZZ	AH	N	D	Packing case
11	TLABM253AXHZZ	AF	N	D	Box label
12	TLABH418AXHZZ	AC	N	D	Service call label
13	TCADZ2860XHZZ	AD	N	D	Pop card
14	TCADZ2869XHZZ	AB	N	D	Quick setup guide
15	TCADZ2786XHZZ	AC		D	Read me first sheet
16	TCADZ2935XHZZ		N	D	Caution sheet
17	TCADZ2926XHZZ		N	D	Errata sheet
18	SPAKA388BXHZZ		N	D	Protection sheet, left
19	SPAKA389BXHZZ		N	D	Protection sheet, right

NO.	PARTS CODE	PRICE RANK	NEW MARK	PART RANK	DESCRIPTION
[8] Control PWB unit					
1	UBATL2046SCZZ	AK		B	Battery(CR2032T34) [BAT1]
2	VCKYTV1HB102K	AA		C	Capacitor(50WV 1000PF) [C1]
3	VCKYTV1HB102K	AA		C	Capacitor(50WV 1000PF) [C2]
4	VCKYTV1EF104Z	AA		C	Capacitor(25WV 0.1μF) [C3]
5	VCKYTV1HB103K	AB		C	Capacitor(50WV 0.01μF) [C4]
6	VCEAGA1HW106M	AA		C	Capacitor(50WV 10μF) [C5]
7	VCKYTV1EF104Z	AA		C	Capacitor(25WV 0.1μF) [C6]
8	VCEAGA1HW106M	AA		C	Capacitor(50WV 10μF) [C7]
9	VRS-TS2AD000J	AA		C	Resistor(1/10W 0Ω ±5%) [C8]
10	VCEAGA1EW476M	AA		C	Capacitor(25WV 47μF) [C9]
11	VCEAGA1EW476M	AA		C	Capacitor(25WV 47μF) [C11]
12	VCEAGA1HW106M	AA		C	Capacitor(50WV 10μF) [C15]
13	VCEAGA1HW226M	AB		C	Capacitor(50WV 22μF) [C17]
14	VCEAGA1EW476M	AA		C	Capacitor(25WV 47μF) [C18]
15	VCKYTV1HB102K	AA		C	Capacitor(50WV 1000PF) [C19]
16	VCKYTV1HB102K	AA		C	Capacitor(50WV 1000PF) [C20]
17	VCEAGA1HW107M	AA		C	Capacitor(50WV 100μF) [C21]
18	VCKYTV1CF105Z	AB		C	Capacitor(16WV 1μF) [C22]
19	VCKYTV1HF104Z	AA		C	Capacitor(50WV 0.1μF) [C100]
20	VCCCTV1HH120J	AA		C	Capacitor(50WV 12PF) [C101]
21	VCCCTV1HH120J	AA		C	Capacitor(50WV 12PF) [C102]
22	VCKYTV1CF105Z	AB		C	Capacitor(16WV 1μF) [C103]
23	VCKYTV1HB102K	AA		C	Capacitor(50WV 1000PF) [C104]
24	VCKYTV1HB102K	AA		C	Capacitor(50WV 1000PF) [C105]
25	VCKYTV1CF105Z	AB		C	Capacitor(16WV 1μF) [C106]
26	VCKYTV1HB102K	AA		C	Capacitor(50WV 1000PF) [C107]
27	VCKYTV1HB222K	AA		C	Capacitor(50WV 2200PF) [C108]
28	VCKYTV1HB222K	AA		C	Capacitor(50WV 2200PF) [C109]
29	VCKYTV1EF104Z	AA		C	Capacitor(25WV 0.1μF) [C110]
30	VCKYTV1CF105Z	AB		C	Capacitor(16WV 1μF) [C111]
31	VCKYTV1CF105Z	AB		C	Capacitor(16WV 1μF) [C112]
32	VCKYTV1EF104Z	AA		C	Capacitor(25WV 0.1μF) [C113]
33	VCKYTV1CF105Z	AB		C	Capacitor(16WV 1μF) [C114]
34	VCCCTV1HH220J	AA		C	Capacitor(50WV 22PF) [C115]
35	VCCCTV1HH220J	AA		C	Capacitor(50WV 22PF) [C116]
36	VCKYTV1HB222K	AA		C	Capacitor(50WV 2200PF) [C117]
37	VCKYTV1EF104Z	AA		C	Capacitor(25WV 0.1μF) [C118]
38	VCKYTV1HB222K	AA		C	Capacitor(50WV 2200PF) [C119]
39	VCKYTV1EF104Z	AA		C	Capacitor(25WV 0.1μF) [C120]
40	VCKYTV1CF105Z	AB		C	Capacitor(16WV 1μF) [C121]
41	VCKYTV1CF105Z	AB		C	Capacitor(16WV 1μF) [C122]
42	VCKYTV1CF105Z	AB		C	Capacitor(16WV 1μF) [C123]
43	VCKYTV1CF105Z	AB		C	Capacitor(16WV 1μF) [C124]
44	VCCCTV1HH220J	AA		C	Capacitor(50WV 22PF) [C125]
45	VCCCTV1HH220J	AA		C	Capacitor(50WV 22PF) [C126]
46	VCKYTV1CF105Z	AB		C	Capacitor(16WV 1μF) [C127]
47	VCKYTV1HB102K	AA		C	Capacitor(50WV 1000PF) [C128]
48	VCKYTV1EF104Z	AA		C	Capacitor(25WV 0.1μF) [C129]
49	VCKYTV1EB104K	AA		C	Capacitor(25WV 0.1μF) [C130]
50	VCKYTV1EF104Z	AA		C	Capacitor(25WV 0.1μF) [C131]
51	VCKYTV1CF105Z	AB		C	Capacitor(16WV 1μF) [C132]
52	VCKYTV1CF105Z	AB		C	Capacitor(16WV 1μF) [C133]
53	VCKYTV1CF105Z	AB		C	Capacitor(16WV 1μF) [C134]
54	VCKYTV1HB222K	AA		C	Capacitor(50WV 2200PF) [C135]
55	VCKYTV1CF105Z	AB		C	Capacitor(16WV 1μF) [C136]
56	VCKYTV1EF104Z	AA		C	Capacitor(25WV 0.1μF) [C137]
57	VCCCTV1HH220J	AA		C	Capacitor(50WV 22PF) [C138]
58	VCCCTV1HH220J	AA		C	Capacitor(50WV 22PF) [C139]
59	VCKYTV1CF105Z	AB		C	Capacitor(16WV 1μF) [C140]
60	VCCCTV1HH220J	AA		C	Capacitor(50WV 22PF) [C141]
61	VCCCTV1HH220J	AA		C	Capacitor(50WV 22PF) [C142]
62	VCKYTV1HB222K	AA		C	Capacitor(50WV 2200PF) [C143]
63	RCILZ2145XHZZ	AF		C	Coil(HM601) [C144]
64	VCKYTV1CF105Z	AB		C	Capacitor(16WV 1μF) [C145]
65	VCKYTV1CF105Z	AB		C	Capacitor(16WV 1μF) [C146]
66	RCILZ2145XHZZ	AF		C	Coil(HM601) [C147]
67	VCKYTV1CF105Z	AB		C	Capacitor(16WV 1μF) [C148]
68	VCCCTV1HH220J	AA		C	Capacitor(50WV 22PF) [C150]
69	VRS-TS2AD000J	AA		C	Resistor(1/10W 0Ω ±5%) [C151]
70	VCKYTV1EB104K	AA		C	Capacitor(25WV 0.1μF) [C154]
71	VCKYTV1EB104K	AA		C	Capacitor(25WV 0.1μF) [C156]
72	VRS-TS2AD000J	AA		C	Resistor(1/10W 0Ω ±5%) [C157]
73	VCKYTV1CF105Z	AB		C	Capacitor(16WV 1μF) [C158]
74	VCKYTV1HB221K	AA		C	Capacitor(50WV 220PF) [C159]
75	VCKYTV1HB103K	AB		C	Capacitor(50WV 0.01μF) [C160]
76	VCKYTV1EF104Z	AA		C	Capacitor(25WV 0.1μF) [C161]
77	VCKYTV1HB472K	AA		C	Capacitor(50WV 4700PF) [C164]
78	VCKYTV1CF105Z	AB		C	Capacitor(16WV 1μF) [C165]
79	VCKYTV1CF105Z	AB		C	Capacitor(16WV 1μF) [C166]
80	VCKYTV1EF104Z	AA		C	Capacitor(25WV 0.1μF) [C167]

NO.	PARTS CODE	PRICE RANK	NEW MARK	PART RANK	DESCRIPTION	
[8] Control PWB unit						
81	VCKYTV1HF104Z	AA		C	Capacitor(50WV 0.1μF)	[C170]
82	VCKYTV1EF104Z	AA		C	Capacitor(25WV 0.1μF)	[C171]
83	VCKYTV1HB102K	AA		C	Capacitor(50WV 1000PF)	[C172]
84	VCKYTV1HB102K	AA		C	Capacitor(50WV 1000PF)	[C173]
85	QCNCM7014SC0G	AB		C	Connector(7pin)	[CNCIS]
86	QCNCM2442SC0B	AB		C	Conector(2pin)	[CNCISW]
87	QCNCM7014SC0C	AA		C	Connector(3pin)	[CNCUT]
88	QCNCM705BAF06	AB		C	Connector(2pin)	[CNDR]
89	QCNCM7014SC0B	AD		C	Connector(2pin)	[CNFRS]
90	QCNCW2500SC1B	AF		C	Connector(12pin)	[CNLIUA]
91	QCNCM7014SC0F	AB		C	Connector(6pin)	[CNMT]
92	QCNCM7014SC1F	AD		C	Connector(16pin)	[CNPJ]
93	QCNCW2500SC0F	AE		C	Connector(6pin)	[CNPW]
94	QCNCM2401SC0B	AA		C	Connector(2pin)	[CNSP]
95	QCNCM7014SC1F	AD		C	Connector(16pin)	[CNTH]
96	VRS-HT3AA101J	AA		C	Resistor(1W 100Ω ±5%)	[D1]
97	VHD1SS355//-1	AB		B	Diode(1SS355)	[D100]
98	VHD1SS355//-1	AB		B	Diode(1SS355)	[D101]
99	VHD1SS355//-1	AB		B	Diode(1SS355)	[D102]
100	VHDHRW0202B-1	AD		B	Diode(HRW0202B)	[D103]
101	VHD1SS355//-1	AB		B	Diode(1SS355)	[D104]
102	QFS-P2010SCZZ	AD	N	B	IC protector(KAB2402)	[FU100]
103	VHITC7WT74FU1	AF	N	B	IC(TC7WT74)	[IC1]
104	VHIFC2FM209-1	BD	N	B	IC(FC200)(Within IC2 and IC4 pair)	[IC2]
105	VHIW24258S7LE	AQ		B	IC(W24258S-70LE)	[IC3]
106	VHIFC2FM209-1	BD	N	B	IC(FM209)(Within IC2 and IC4 pair)	[IC4]
107	QSOCZ2051SC32	AC		C	IC socket(32pin)	[IC5]
	VHI27010FZG0B	BM	N	B	IC,EPR0M(1MB)	[IC5]
109	VHINJM2113M-1	AG		B	IC(NJM2113M)	[IC6]
110	VHIULN2003AN/	AE		B	IC(ULN2003ANS)	[IC8]
111	VHIXC61AN45M1	AE	N	B	IC(XC61AN4502ML)	[IC101]
112	RCILZ2145XHZZ	AF		C	Coil(HM601)	[L1]
113	RCILZ2145XHZZ	AF		C	Coil(HM601)	[L3]
114	RCILZ2145XHZZ	AF		C	Coil(HM601)	[L4]
115	RCILZ2145XHZZ	AF		C	Coil(HM601)	[L100]
116	RCILZ2145XHZZ	AF		C	Coil(HM601)	[L101]
117	RCILZ2145XHZZ	AF		C	Coil(HM601)	[L102]
118	RCILZ2145XHZZ	AF		C	Coil(HM601)	[L103]
119	RCILZ2145XHZZ	AF		C	Coil(HM601)	[L104]
120	RCILZ2145XHZZ	AF		C	Coil(HM601)	[L105]
121	RCILZ2145XHZZ	AF		C	Coil(HM601)	[L106]
122	VHPSG206S//-1	AG		B	Photo transistor(SG206S)	[P11]
123	VHPSG206S//-1	AG		B	Photo transistor(SG206S)	[P12]
124	VS2SA1037KS-1	AB		B	Transistor(2SA1037KS)	[Q100]
125	VSRNC1402//-1	AC		B	Transistor(RNC1402)	[Q103]
126	VS2SA1037KS-1	AB		B	Transistor(2SA1037KS)	[Q104]
127	VRS-TS2AD333J	AA		C	Resistor(1/10W 33KΩ ±5%)	[R2]
128	VRS-TS2AD271J	AA		C	Resistor(1/10W 270Ω ±5%)	[R4]
129	VRS-TS2AD333J	AA		C	Resistor(1/10W 33KΩ ±5%)	[R6]
130	VRS-TS2AD103J	AA		C	Resistor(1/10W 10KΩ ±5%)	[R8]
131	VRS-TS2AD106J	AA		C	Resistor(1/10W 10MΩ ±5%)	[R12]
132	VRS-TS2AD3R0J	AA		C	Resistor(1/10W 3.0Ω ±5%)	[R14]
133	VRS-TS2AD000J	AA		C	Resistor(1/10W 0Ω ±5%)	[R17]
134	VRS-TS2AD201J	AG		C	Resistor(1/10W 200Ω ±5%)	[R100]
135	VRS-TS2AD000J	AA		C	Resistor(1/10W 0Ω ±5%)	[R101]
136	VRS-TS2AD471J	AA		C	Resistor(1/10W 470Ω ±5%)	[R102]
137	VRS-TS2AD471J	AA		C	Resistor(1/10W 470Ω ±5%)	[R103]
138	VRS-TS2AD271J	AA		C	Resistor(1/10W 270Ω ±5%)	[R104]
139	VRS-TS2AD333J	AA		C	Resistor(1/10W 33KΩ ±5%)	[R105]
140	VRS-TS2AD333J	AA		C	Resistor(1/10W 33KΩ ±5%)	[R106]
141	VRS-TS2AD333J	AA		C	Resistor(1/10W 33KΩ ±5%)	[R107]
142	VRS-TS2AD223J	AA		C	Resistor(1/10W 22KΩ ±5%)	[R108]
143	VRS-TS2AD151J	AA		C	Resistor(1/10W 150Ω ±5%)	[R109]
144	VRS-TS2AD471J	AA		C	Resistor(1/10W 470Ω ±5%)	[R110]
145	VRS-TS2AD333J	AA		C	Resistor(1/10W 33KΩ ±5%)	[R111]
146	VRS-TS2AD201J	AG		C	Resistor(1/10W 200Ω ±5%)	[R112]
147	VRS-TS2AD333J	AA		C	Resistor(1/10W 33KΩ ±5%)	[R113]
148	VRS-TS2AD471J	AA		C	Resistor(1/10W 470Ω ±5%)	[R115]
149	VRS-TS2AD471J	AA		C	Resistor(1/10W 470Ω ±5%)	[R117]
150	VRS-TS2AD333J	AA		C	Resistor(1/10W 33KΩ ±5%)	[R119]
151	VRS-TS2AD333J	AA		C	Resistor(1/10W 33KΩ ±5%)	[R120]
152	VRS-TS2AD223J	AA		C	Resistor(1/10W 22KΩ ±5%)	[R121]
153	VRS-TS2AD103J	AA		C	Resistor(1/10W 10KΩ ±5%)	[R122]
154	VRS-TS2AD333J	AA		C	Resistor(1/10W 33KΩ ±5%)	[R123]
155	VRS-TS2AD333J	AA		C	Resistor(1/10W 33KΩ ±5%)	[R124]
156	VRS-TS2AD333J	AA		C	Resistor(1/10W 33KΩ ±5%)	[R125]
157	VRS-TS2AD333J	AA		C	Resistor(1/10W 33KΩ ±5%)	[R126]
158	VRS-TS2AD512J	AA		C	Resistor(1/10W 5.1KΩ ±5%)	[R128]
159	VRS-TS2AD102J	AA		C	Resistor(1/10W 1KΩ ±5%)	[R129]
160	VRS-TS2AD000J	AA		C	Resistor(1/10W 0Ω ±5%)	[R130]

NO.	PARTS CODE	PRICE RANK	NEW MARK	PART RANK	DESCRIPTION
[9] TEL/Liu PWB unit					
22	VCKYTV1EF104Z	AA		C	Capacitor(25WV 0.1μF) [C117]
23	VCKYTV1HF104Z	AA		C	Capacitor(50WV 0.1μF) [C118]
24	VCKYTV1HB821K	AA		C	Capacitor(50WV 820PF) [C120]
25	VCKYTV1CF105Z	AB		C	Capacitor(16WV 1μF) [C122]
26	VCKYTV1CF105Z	AB		C	Capacitor(16WV 1μF) [C124]
27	VCKYTV1HB393K	AB		C	Capacitor(50WV 0.039μF) [C127]
28	RRLYD3433XHZZ	AH		B	Relay [CML1]
29	QJAKZ2079XH0D	AD	N	C	Jack [CNHJ]
30	QCNCM2548SC1B	AH		C	Connector(12pin) [CNLIUA]
31	QJAKZ2060SC0B	AD		C	Jack [CNLNUJ]
32	VHDDSS133/-1	AA		B	Diode(1SS133) [D1]
33	VHDDSS133/-1	AA		B	Diode(1SS133) [D4]
34	QSW-Z2263XHZZ	AG		B	Hook switch [HOOK SW]
35	VHINJM2904M-2	AG		B	IC(NJM2904M) [IC101]
36	VHINJM2904M-2	AG		B	IC(NJM2904M) [IC102]
37	RFILN2024XHZZ	AG		C	Coil(TR0703) [L3A]
38	RFILN2024XHZZ	AG		C	Coil(TR0703) [L3B]
39	RFILN2024XHZZ	AG		C	Coil(TR0703) [L6]
40	RFILN2024XHZZ	AG		C	Coil(TR0703) [L7]
41	RFILN2024XHZZ	AG		C	Coil(TR0703) [L8]
42	VHPTLP521-1BL	AE		B	Photo coupler(TLP521) [PC5]
43	VS2SC2412KR-1	AD		B	Transistor(2SC2412K) [Q101]
44	VSRNC1402/-1	AC		B	Transistor(RNC1402) [Q104]
45	VSRNC1402/-1	AC		B	Transistor(RNC1402) [Q107]
46	VRD-HT2HY223J	AA		C	Resistor(1/2W 22KΩ ±5%) [R3]
47	VRS-TS2AD223J	AA		C	Resistor(1/10W 22KΩ ±5%) [R101]
48	VRS-TS2AD152J	AA		C	Resistor(1/10W 1.5KΩ ±5%) [R108]
49	VRS-TS2AD102J	AA		C	Resistor(1/10W 1KΩ ±5%) [R109]
50	VRS-TS2AD512J	AA		C	Resistor(1/10W 5.1KΩ ±5%) [R110]
51	VRS-TS2AD203J	AA		C	Resistor(1/10W 20KΩ ±5%) [R111]
52	VRS-TS2AD000J	AA		C	Resistor(1/10W 0Ω ±5%) [R112]
53	VRS-TS2AD203J	AA		C	Resistor(1/10W 20KΩ ±5%) [R113]
54	VRS-TS2AD433J	AA		C	Resistor(1/10W 43KΩ ±5%) [R114]
55	VRSTS2AD8662F	AA		C	Resistor(1/10W 86.6KΩ ±1%) [R115]
56	VRS-TS2AD332J	AA		C	Resistor(1/10W 3.3KΩ ±5%) [R116]
57	VRS-TS2AD102J	AA		C	Resistor(1/10W 1KΩ ±5%) [R118]
58	VRS-TS2AD151J	AA		C	Resistor(1/10W 150Ω ±5%) [R123]
59	VRS-TS2AD332J	AA		C	Resistor(1/10W 3.3KΩ ±5%) [R125]
60	VRS-TS2AD224J	AA		C	Resistor(1/10W 220KΩ ±5%) [R126]
61	VRS-TS2AD393J	AA		C	Resistor(1/10W 39KΩ ±5%) [R127]
62	VRS-TS2AD822J	AA		C	Resistor(1/10W 8.2KΩ ±5%) [R128]
63	VRS-TS2AD621J	AA		C	Resistor(1/10W 620Ω ±5%) [R129]
64	VRS-TS2AD000J	AA		C	Resistor(1/10W 0Ω ±5%) [R130]
65	VRS-TS2AD332J	AA		C	Resistor(1/10W 3.3KΩ ±5%) [R131]
66	VRS-TS2AD000J	AA		C	Resistor(1/10W 0Ω ±5%) [R132]
67	VRS-TS2AD301J	AA		C	Resistor(1/10W 300Ω ±5%) [R133]
68	VRS-TS2AD203J	AA		C	Resistor(1/10W 20KΩ ±5%) [R134]
69	VRS-TS2AD101J	AA		C	Resistor(1/10W 100Ω ±5%) [R135]
70	VRS-TS2AD203J	AA		C	Resistor(1/10W 20KΩ ±5%) [R140]
71	VRS-TS2AD473J	AA		C	Resistor(1/10W 47KΩ ±5%) [R141]
72	VRS-TS2AD332J	AA		C	Resistor(1/10W 3.3KΩ ±5%) [R142]
73	VRS-TS2AD153J	AA		C	Resistor(1/10W 15KΩ ±5%) [R143]
74	VRS-TS2AD472J	AA		C	Resistor(1/10W 4.7KΩ ±5%) [R144]
75	RTRNI2164XHZZ	AG	N	B	Transformer [T1]
76	VHVERZV5D471/	AC		B	Varistor(ERZVA5D471) [VA1]
77	VHVERZV5D471/	AC		B	Varistor(ERZVA5D471) [VA2]
78	VHEHZ27-1/-1	AB		B	Zener diode(HZ27C-1TA) [ZD4]
	(Unit)				
901	DCEKL483BXH01	AX	N	E	TEL/Liu PWB unit
[10] Power supply PWB unit(NOTE: Since the parts of PWB cannot be supplied, change it as a unit.)					
	(Unit)				
901	RDENT2142XHZZ	BA	N	E	Power supply PWB unit

Index

PARTS CODE	No.	PRICE RANK	NEW MARK	PART RANK
[C]				
CCNW-212AXH01	1-2	AK	N	C
"	3-1	AK	N	C
CCNW-215AXH01	1-12	AG	N	C
[D]				
DCEKC088MXHZ	1-45	BL	N	E
"	8-901	BL	N	E
DCEKL483BXH01	1-16	AX	N	E
"	9-901	AX	N	E
DCEKP481BXH01	1-1	AP	N	E
"	3-901	AP	N	E
DCEKP481BXH03	1-1	AP	N	E
"	3-901	AP	N	E
DCEKP482BXH01	3-7	AQ	N	E
DUNTK468BXHBG	7-2	AH	N	E
DUNTK468BXHOG	6-2	AH	N	E
[G]				
GCABA2342XHSA	3-3	AH	N	D
GCABA2342XHSB	3-3	AH	N	D
GCABB2343XHSA	1-13	AK	N	D
GCABB2343XHSB	1-13	AK	N	D
GCASP2110XHSA	1-17	AK	N	C
GCASP2110XHSB	1-17	AK	N	C
GCASP2111XHSA	1-18	AH	N	C
GCASP2111XHSB	1-18	AH	N	C
GDAI-2082XHSA	1-46	AD	N	C
GDAI-2082XHSB	1-46	AD	N	C
GDAI-2083XHZZ	1-22	AF	N	C
[H]				
HPNLH2392XHSA	1-54	AE	N	D
HPNLH2392XHSB	1-54	AE	N	D
[J]				
JBTN-2257XHSA	3-4	AD	N	C
JBTN-2257XHSB	3-4	AD	N	C
JBTN-2258XHSA	3-5	AC	N	C
JBTN-2258XHSB	3-5	AC	N	C
JBTN-2261XHSA	3-6	AC	N	C
JBTN-2261XHSB	3-6	AC	N	C
[L]				
LBNDJ2006XHZZ	1-55	AA		C
"	2-19	AA		C
LBSHP2110XHZZ	2-1	AB	N	C
LBSHP2112XHZZ	1-28	AB	N	C
LFRM-2206XHZZ	5-1	AF	N	C
LFRM-2208XHZZ	1-29	AF	N	C
LFRM-2209XHZZ	2-2	AF	N	C
LHLDZ2180XHZZ	2-3	AC	N	C
LHLDZ2181XHZZ	2-4	AC	N	C
LHLDZ2184XHZZ	1-30	AC	N	C
LHLDZ2185XHZZ	1-31	AC	N	C
LPLTG2911XHZZ	4-1	AE		C
LPLTM3049XHZZ	5-2	AD	N	C
LPLTP2908XHZZ	4-2	AE		C
LPLTP3050XHZZ	5-3	AB	N	C
LPLTP3051XHZZ	4-3	AB	N	C
LSTPP2054XHZZ	1-47	AC	N	C
LX-BZ2138XHZZ	1-B1	AB		C
[M]				
MARMP2023XHZZ	1-48	AB	N	C
MCAMP2027XHZZ	5-4	AC	N	C
MLEV2311XHZZ	5-5	AB	N	C
MLEV2312XHZZ	5-6	AB	N	C
MLEV2313XHZZ	5-7	AC	N	C
MLEV2314XHZZ	5-8	AB	N	C
MLEV2315XHZZ	1-32	AC	N	C
MLEV2316XHZZ	1-23	AC	N	C
MLEV2317XHZZ	2-5	AB	N	C
MLEV2319XHZZ	1-49	AC	N	C
MLEV2320XHZZ	1-19	AC	N	C
MSPRC2735XHZZ	5-9	AC		C
MSPRC2954XHZZ	1-5	AC		C
MSPRC3110XHZZ	5-10	AB	N	C
MSPRC3112XHZZ	1-33	AC	N	C
MSPRC3117XHZZ	2-6	AB	N	C
MSPRC3127XHZZ	5-11	AB	N	C
MSPRC3148XHZZ	1-34	AC	N	C
MSPRD3115XHZZ	1-35	AB	N	C
MSPRD3116XHZZ	1-24	AB	N	C
MSPRD3169XHZZ	1-56	N		C
MSPRP3119XHZZ	1-14	AC	N	C

PARTS CODE	No.	PRICE RANK	NEW MARK	PART RANK
MSPRP3123XHZZ	1-15	AC	N	C
MSPRT3114XHZZ	1-25	AC	N	C
MSPRT3139XHZZ	4-5	AA	N	C
MSPRT3140XHZZ	4-4	AA	N	C
[N]				
NGERH2278XHZZ	5-12	AC		C
NGERH2379XHZZ	5-13	AC		C
NGERH2380XHZZ	5-14	AC		C
NGERH2391XHZZ	5-15	AC		C
NGERH2451XHZZ	5-16	AB		C
NGERH2475XHZZ	5-17	AB	N	C
NGERH2476XHZZ	5-18	AB	N	C
NGERH2477XHZZ	1-50	AC	N	C
NGERH2478XHZZ	1-36	AB	N	C
NGERH2479XHZZ	2-7	AB	N	C
NGERH2480XHZZ	2-8	AB	N	C
NGERH2481XHZZ	2-9	AB	N	C
NGERP2318XHZZ	1-6	AD		C
NROLP2426XHZZ	1-26	AC	N	C
NROLR2375XHZZ	2-10	AL		C
NROLR2425XHZZ	1-37	AP	N	C
NROLR2427XHZZ	1-42	AC	N	C
NROLR2428XHZZ	2-11	AP	N	C
NSFTZ2273XHZZ	2-12	AF		C
[P]				
PCUT-2040SCZZ	1-51	AV	N	C
PGIDM2554XHZZ	4-6	AF	N	C
PGIDM2558XHZZ	1-38	AD	N	C
PGIDM2559XHSA	1-27	AE	N	C
PGIDM2559XHSB	1-27	AE	N	C
PGIDM2560XHSA	1-7	AC	N	C
PGIDM2560XHSB	1-7	AC	N	C
PGIDM2561XHSA	1-8	AC	N	C
PGIDM2561XHSB	1-8	AC	N	C
PGIDM2562XHZZ	2-13	AD	N	C
PGIDM2564XHZZ	1-44	AD	N	C
PGIDM2566XHZZ	1-52	AC	N	C
PGUMR2160XHZZ	1-43	AE		C
PHOP-2104XHSA	1-9	AF	N	C
PHOP-2104XHSB	1-9	AF	N	C
PHOP-2105XHZZ	6-4	AD	N	C
"	7-4	AD	N	C
PSHEZ3436XHZZ	2-14	AC		C
PSHEZ3510XHZZ	4-7		N	C
[Q]				
QACCD2027XHZZ	1-20	AR		B
QCNCM2401SC0B	8-94	AA		C
QCNCM2442SC0B	8-86	AB		C
QCNCM2548SC1B	9-30	AH		C
QCNCM7014SC0B	8-89	AD		C
QCNCM7014SC0C	8-87	AA		C
QCNCM7014SC0F	8-91	AB		C
QCNCM7014SC0G	8-85	AB		C
QCNCM7014SC1F	8-92	AD		C
"	8-95	AD		C
QCNCM705BAF06	8-88	AB		C
QCNCW2500SC0F	8-93	AE		C
QCNCW2500SC1B	8-90	AF		C
QCNW-207AXHZZ	5-19	AC	N	C
QCNW-209AXHZZ	1-39	AH	N	C
QCNW-210AXHZZ	1-40	AC	N	C
QCNW-211AXHZZ	2-15	AF	N	C
QCNW-213AXHZZ	2-16	AC	N	C
QCNW-3975XHGY	6-5	AG		C
"	7-5	AG		C
QCNW-3976XHGB	7-3	AK		C
QCNW-3976XHOG	6-3	AT		C
QCNW-4753XHZZ	9-2	AE		C
QCNW-4933XHZZ	5-20	AC		C
QFS-P2010SCZZ	8-102	AD	N	B
QJAKZ2060SC0B	9-31	AD		C
QJAKZ2079XHOD	9-29	AD	N	C
QSOCZ2051SC32	8-107	AC		C
QSW-F2224SCZZ	5-21	AE		B
QSW-M2293XHZZ	2-17	AE	N	B
QSW-M2296XHZZ	1-11	AD		B
QSW-Z2263XHZZ	9-34	AG		B
[R]				
RC-FZ3024SCZZ	9-3	AG		C
RCILZ2145XHZZ	8-63	AF		C

PARTS CODE	No.	PRICE RANK	NEW MARK	PART RANK
RCILZ2145XHZZ	8-66	AF		C
"	8-112	AF		C
"	8-113	AF		C
"	8-114	AF		C
"	8-115	AF		C
"	8-116	AF		C
"	8-117	AF		C
"	8-118	AF		C
"	8-119	AF		C
"	8-120	AF		C
"	8-121	AF		C
RCORF2123XHZZ	2-20	AD	N	B
RCORF2125XHZZ	1-53	AE		B
RCRSB0297AFZZ	8-210	AD		B
RCRSQ2157SCZZ	8-209	AF	N	B
RDENT2142XHZZ	1-21	BA	N	E
"	10-901	BA	N	E
RFILN2024XHZZ	9-37	AG		C
"	9-38	AG		C
"	9-39	AG		C
"	9-40	AG		C
"	9-41	AG		C
RHEDZ2059XHZZ	1-41	BF	N	B
RMOTZ2148XHZZ	5-22	AT	N	B
RR-TZ3017SCZZ	8-195	AC		C
"	8-196	AC		C
"	8-199	AC		C
"	8-200	AC		C
"	8-202	AC		C
RR-TZ3018SCZZ	8-194	AC		C
"	8-197	AC		C
"	8-198	AC		C
"	8-201	AC		C
"	8-203	AC		C
"	8-204	AC		C
"	8-205	AC		C
"	8-206	AC		C
RRLYD3138XHZZ	8-208	AG		B
RRLYD3433XHZZ	9-28	AH		B
RTRNI2164XHZZ	9-75	AG	N	B
RUNTZ2054XHZZ	2-18	BE	N	B
[S]				
SPAKA287BXHZZ	6-7	AE	N	D
"	7-7	AE	N	D
SPAKA288BXHZZ	6-8	AE	N	D
"	7-8	AE	N	D
SPAKA289BXHZZ	6-9	AC	N	D
"	7-9	AC	N	D
SPAKA388BXHZZ	6-18		N	D
"	7-18		N	D
SPAKA389BXHZZ	6-19		N	D
"	7-19		N	D
SPAKC124BXHZZ	7-10	AH	N	D
SPAKC149BXHZZ	6-10	AH	N	D
SPAKP296BXHZZ	6-6	AE	N	D
"	7-6	AE	N	D
[T]				
TCADZ2786XHZZ	7-15	AC		D
TCADZ2860XHZZ	7-13	AD	N	D
TCADZ2869XHZZ	7-14	AB	N	D
TCADZ2926XHZZ	6-17		N	D
"	7-17		N	D
TCADZ2935XHZZ	6-16		N	D
"	7-16		N	D
TINSE4010XHZZ	7-1	AG	N	D
TINSE4017XHZZ	6-1	AG	N	D
TLABH418AXHZZ	7-12	AC	N	D
TLABM253AXHZZ	7-11	AF	N	D
TLABP3078SCZZ	8-211	AA		D
[U]				
UBATL2046SCZZ	8-1	AK		B
[V]				
VCCCTV1HH120J	8-20	AA		C
"	8-21	AA		C
VCCCTV1HH220J	8-34	AA		C
"	8-35	AA		C
"	8-44	AA		C
"	8-45	AA		C
"	8-57	AA		C
"	8-58	AA		C

MEMO

SHARP

COPYRIGHT © 1999 BY SHARP CORPORATION

ALL RIGHTS RESERVED.

No part of this publication may be reproduced, stored in a retrieval system, or transmitted in any form or by any means, electronic, mechanical, photocopying, recording, or otherwise, without prior written permission of the publisher.

SHARP CORPORATION
Communication Systems Group
Quality & Reliability Control Center
Higashihiroshima, Hiroshima 739-0192, Japan
Printed in U.S.A.

9910-1833NS•IS•T