

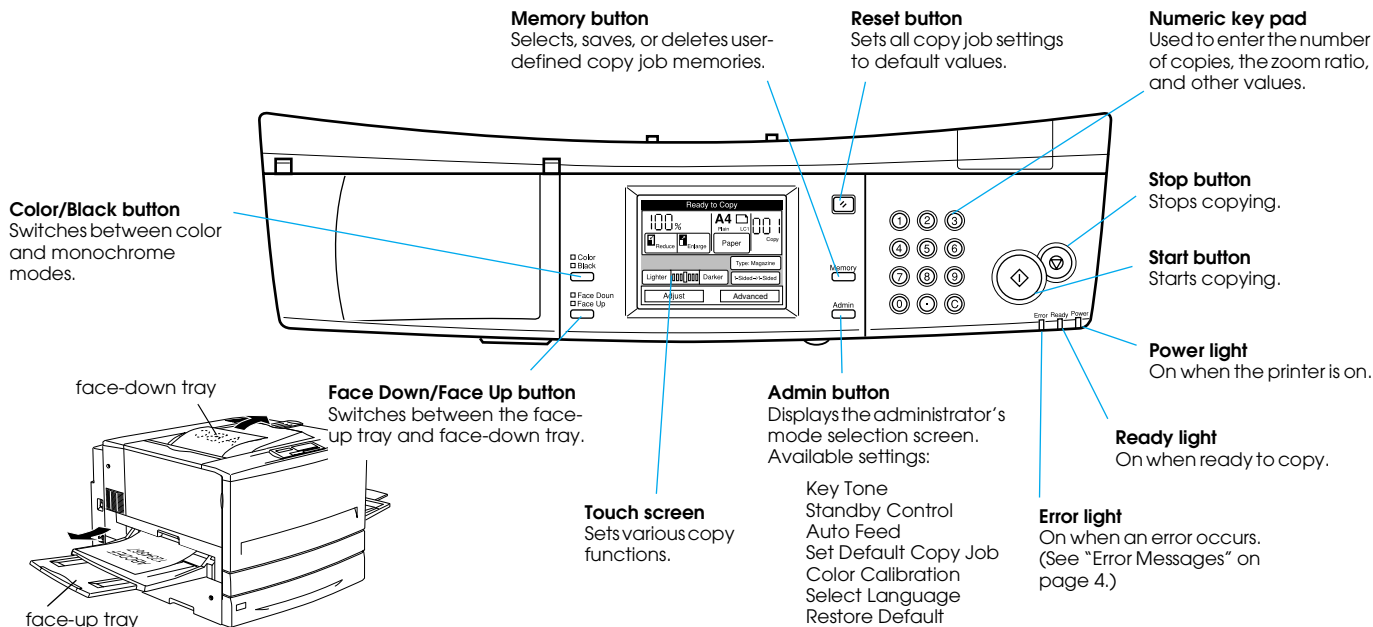
EPSON®

EPSON AcuLaser™ 8500

COLOR COPY STATION

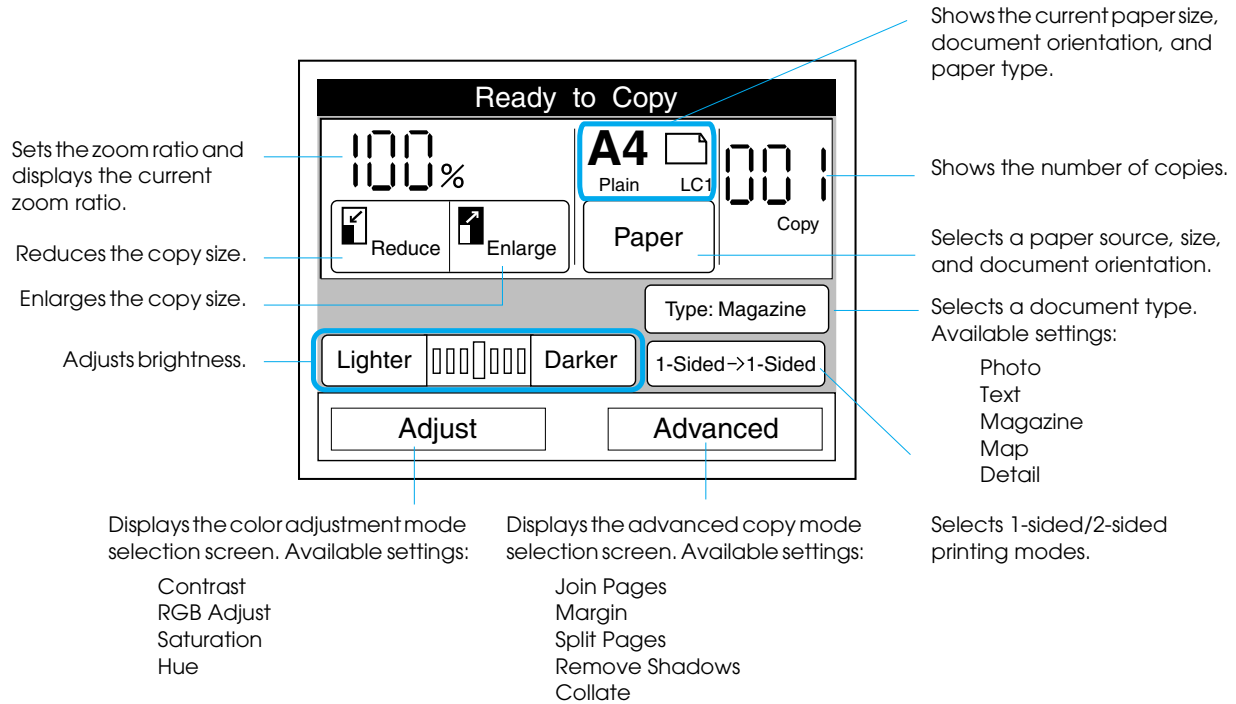
Quick Reference

Control Panel Functions



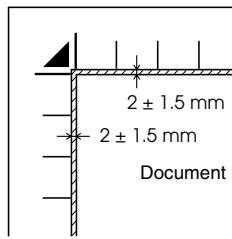
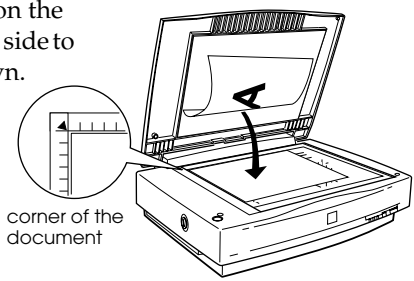
Touch Panel Functions

The following screen appears when the copy station is ready for copying.



Document and Paper Source Orientation

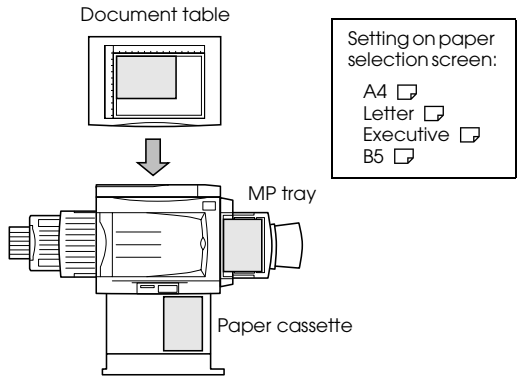
Place your document on the scanning table with the side to be scanned facing down.



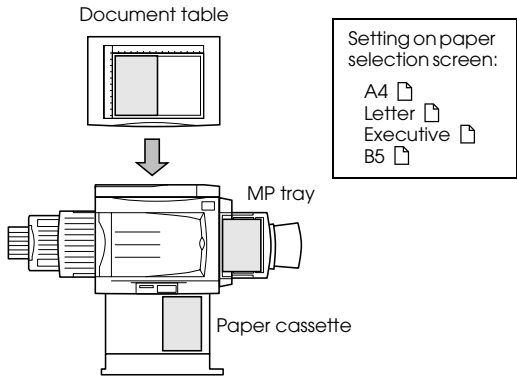
An area 2 ± 1.5 mm in from both horizontal and vertical rulers will not be scanned.

When copying A4, Letter, Executive, or B5 size documents, select the paper source setting that matches the orientation of the document on the document table. See the figure below.

When placing a document horizontally



When placing a document vertically



Error Messages

The following error messages will appear on the touch screen when an error has occurred in the copy station.

Copy system errors

Display on the control panel	Details and Solution
System Error Internal Error Restart System	Restart System. (1) Turn off the scanner and the printer. (2) Wait for approximately three minutes, and then turn the devices back on.
System Error Fatal Error Restart System	(3) If the same message reappears, this may indicate malfunctioning interface boards. In this case, contact your dealer or the closest customer support services for assistance.
System Error Paper Error Press the Stop button	A document that cannot be scanned is placed on the scanner. Press the ⏹ stop button, and check the document type.
System Error HDD Full Press the Stop button	In the Collate mode, scanning cannot be completed because the optional Hard Disk Unit is full. Press the ⏹ stop button to cancel the copy job.

Printer errors

Printer error messages are displayed on both the copy station's touch screen and on the printer's LCD panel. When an error occurs, see the section about error messages in the *EPSON AcuLaser Color Copy Station 8500 Reference Guide* or in the printer's *Quick Reference guide*, then try the solutions provided.

Scanner and calibration errors

For scanner or calibration errors, see the section about error messages in the *EPSON AcuLaser Color Copy Station 8500 Reference Guide*.