

mita[®]

LASER PRINTER

DP-580

PARTS LIST

Published in Oct.'97
20570770
Revision 1

DP-580

Parts List

DP-580

NOTE

1. Indicate parts number and machine model when placing an order.

eg.	Parts Number	Parts Name	Machine Model	Cycle	Quantity
	20504010	COVER, RELEASE	DP-580	60Hz	1


2. Service calls and freight will be charged separately.

3. Symbols in the "Parts Number" column.

- Parts with "•" are component parts or sub-assemblies of the assembly appearing immediately above them.

eg.	Parts Number	Parts Name	Parts Number	Parts Name
	35301031	INLET ASS'Y	•71827340	INLET 3P, POWER

4. See the last page of this parts list for the classification of the screws in the illustrations.

5. Items indicated by shaded areas () are supply parts and should be ordered through your Regional Office.

———— CONTENTS ————

FIG. 1	EXTERIOR COVERS.....	2
FIG. 2	FRAMES	4
FIG. 3	PAPER FEED TRAY SECTION	6
FIG. 4	DRIVING SECTION	8
FIG. 5	CHARGING SECTION.....	10
FIG. 6	FIXING SECTION	12
FIG. 7	ELECTRICAL COMPONENTS.....	14
FIG. 8	IMAGING UNIT	16
FIG. 9	ACCESSORIES	18
	•INDEX	20

FIG. 1 EXTERIOR COVERS

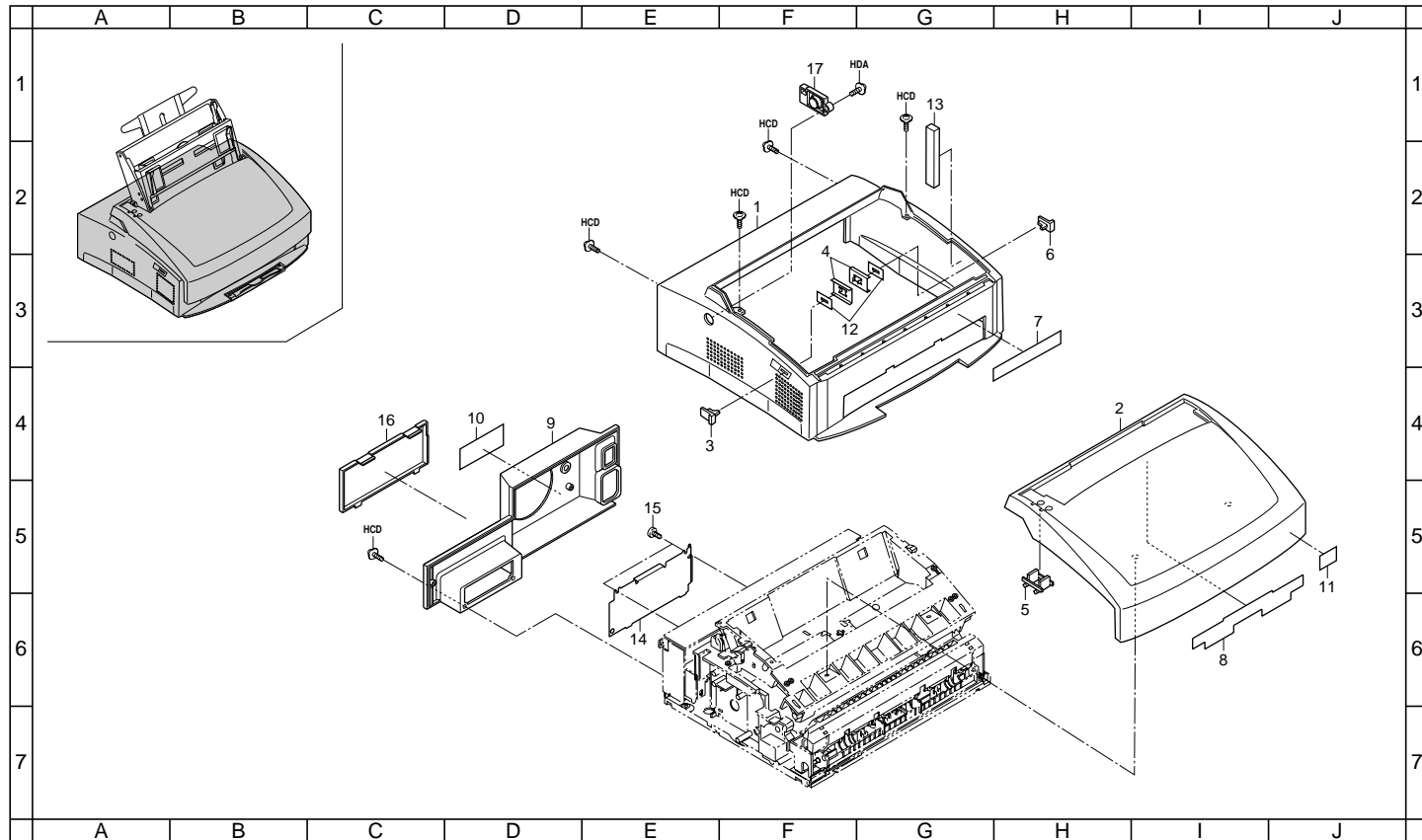


FIG. 1 EXTERIOR COVERS

Ref. No.	Part. No.	Description	Quantity USA (120V)
1	20404011	UPPER COVER	1
2	20504010	COVER,RELEASE	1
3	35304080	LEVER,RELEASE	1
4	35304090	RETAINER,LEVER	2
5	35304100	JUNCTION PLATE,LED	1
6	35304110	LEVER B,RELEASE	1
7	35405080	CAUTION LABEL,HIGH TEMPERATURE (EXP)	1
8	20406240	GUIDE FILM B,BYPASS	1
9	20404030	COVER,COOLING FAN	1
10	66205080	LABEL,FUSE	1
11	69705020	LABEL,ENERGY STAR(JPN)	1
12	35304140	SPACER,RELEASE LEVER	2
13	35304150	RIGHT SPONGE,COVER	1
14	20404060	LID,MEMORY BOARD	1
15	35402680	PIN,TP-LRM3X6	2
16	20404050	COVER,MEMORY BOARD	1
17	20404080	KEY TOP,RESET SWITCH	1

• Parts with "*" are component parts or sub-assemblies of the assembly appearing immediately above them.

FIG. 2 FRAMES

205-1

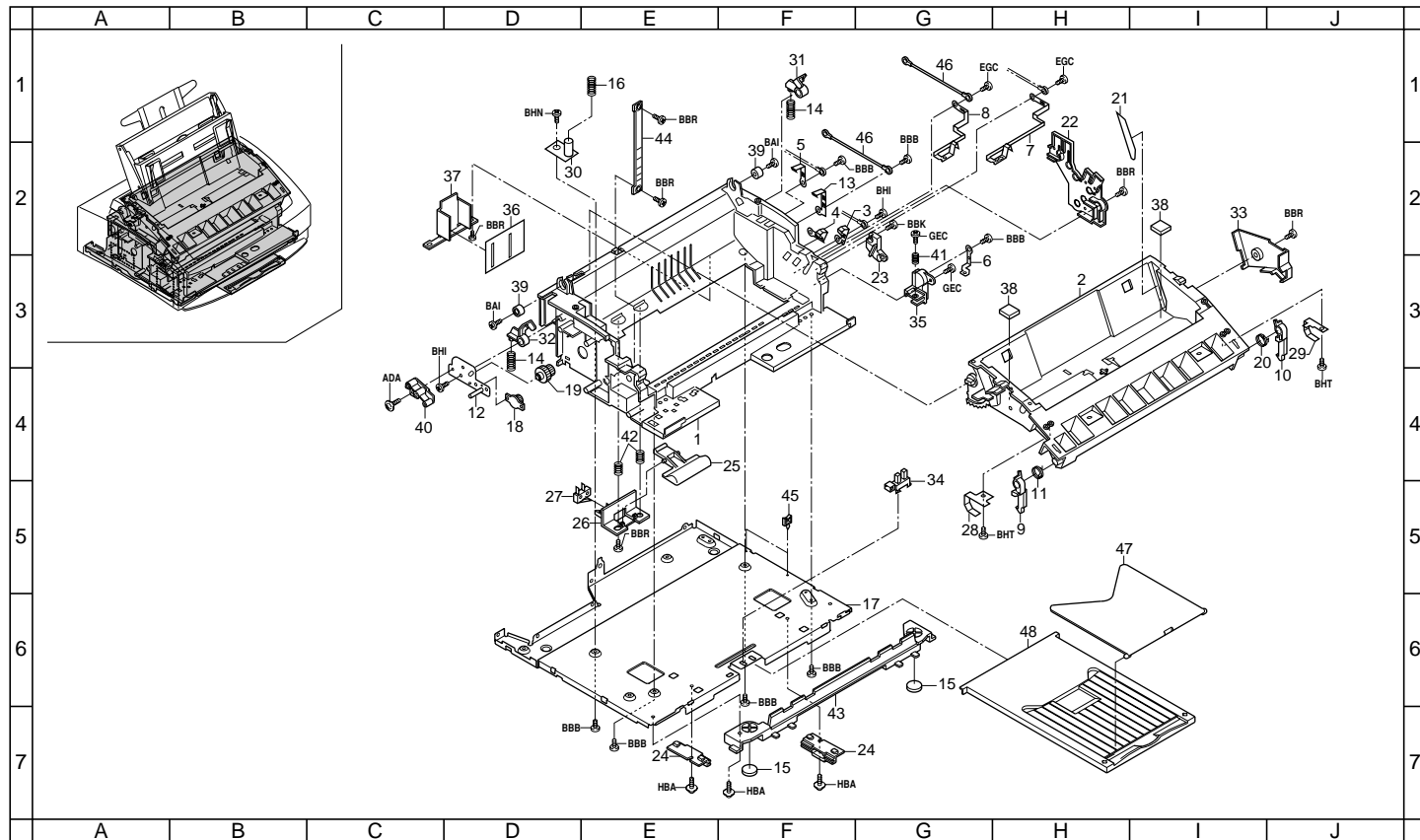


FIG. 2 FRAMES

Ref. No.	Part. No.	Description	Quantity USA (120V)
1	35302010	FRAME,MACHINE	1
2	35302020	UPPER FRAME	1
3	35302040	TERMINAL,DEVELOPING BIAS	1
4	35302050	TERMINAL,SUB DEVELOPING BIAS	1
5	35302060	TERMINAL,TRANSFER MACHINE	1
6	35302070	TERMINAL,MAIN CHARGER	1
7	35302080	TERMINAL,GRID	1
8	35302090	TERMINAL,BRUSH	1
9	35302101	HOOK A	1
10	35302112	HOOK B	1
11	35302120	SPRING,HOOK	1
12	20402020	HOLDER,GEAR DAMPER	1
13	35302260	GROUND PLATE,FRAME	1
14	35502330	SPRING,RELEASE RETAINING	2
15	35304050	BASE RUBBER	2
16	35402360	SPRING 2.5,RELEASE RETAINING	1
17	20402010	BASE	1
18	68802110	GEAR 14,DAMPER	1
19	68802120	GEAR 11/34	1
20	35302270	SPRING,HOOK	1
21	35302540	SPACER,PAPER FEED TRAY	1
22	35302410	LID,HIGH VOLTAGE TERMINAL	1
23	35302290	GUIDE,DRUM SHAFT	1
24	20420030	SLIDER,EJECT TRAY	2
25	35302380	ACTUATOR,IJ DETECTION	1
26	35302390	MOUNT,IJ DETECTION SWITCH	1
27	68827010	SWITCH,INTERLOCK	1
28	35302210	PLATE SPRING A,DRUM UNIT HOLDER	1
29	35302220	PLATE SPRING B,DRUM UNIT HOLDER	1
30	35302520	UPPER MOUNT,FRAME SPRING	1
31	35302250	RIGHT LEVER,RELEASE RETAINING	1
32	35302160	LEVER,RELEASE RETAINING	1
33	35302360	COVER,TERMINAL	1
34	66006350	SWITCH,CASSETTE LIFT	1
35	35302400	TERMINAL BASE,MAIN CHARGER	1
36	35302340	SHEET,FRAME SHIELD (USA)	1
37	35302320	PROJECTION,DRUM UNIT LIMITATION (USA)	1
38	35306360	CUSHION,TRAY	2
39	35302500	PIN,MACHINE FULCRUM	2
40	20404070	HOLDER,RESET SWITCH	1

205-1

Ref. No.	Part. No.	Description	Quantity USA (120V)
41	35302430	SPRING,MAIN CHARGER	1
42	35402650	SPRING,TONER EMPTY DETECTION	2
43	20404040	COVER,EJECT	1
44	35302470	STRAP A,MACHINE RELEASE	1
45	M2105700	MINIATURE CLAMP,UAMS-03-0	2
46	35327300	GROUND WIRE,CLEANING BRUSH	2
47	20420020	TRAY B,EJECT	1
48	20420010	TRAY A,EJECT	1

• Parts with "*" are component parts or sub-assemblies of the assembly appearing immediately above them.

FIG. 3 PAPER FEED TRAY SECTION

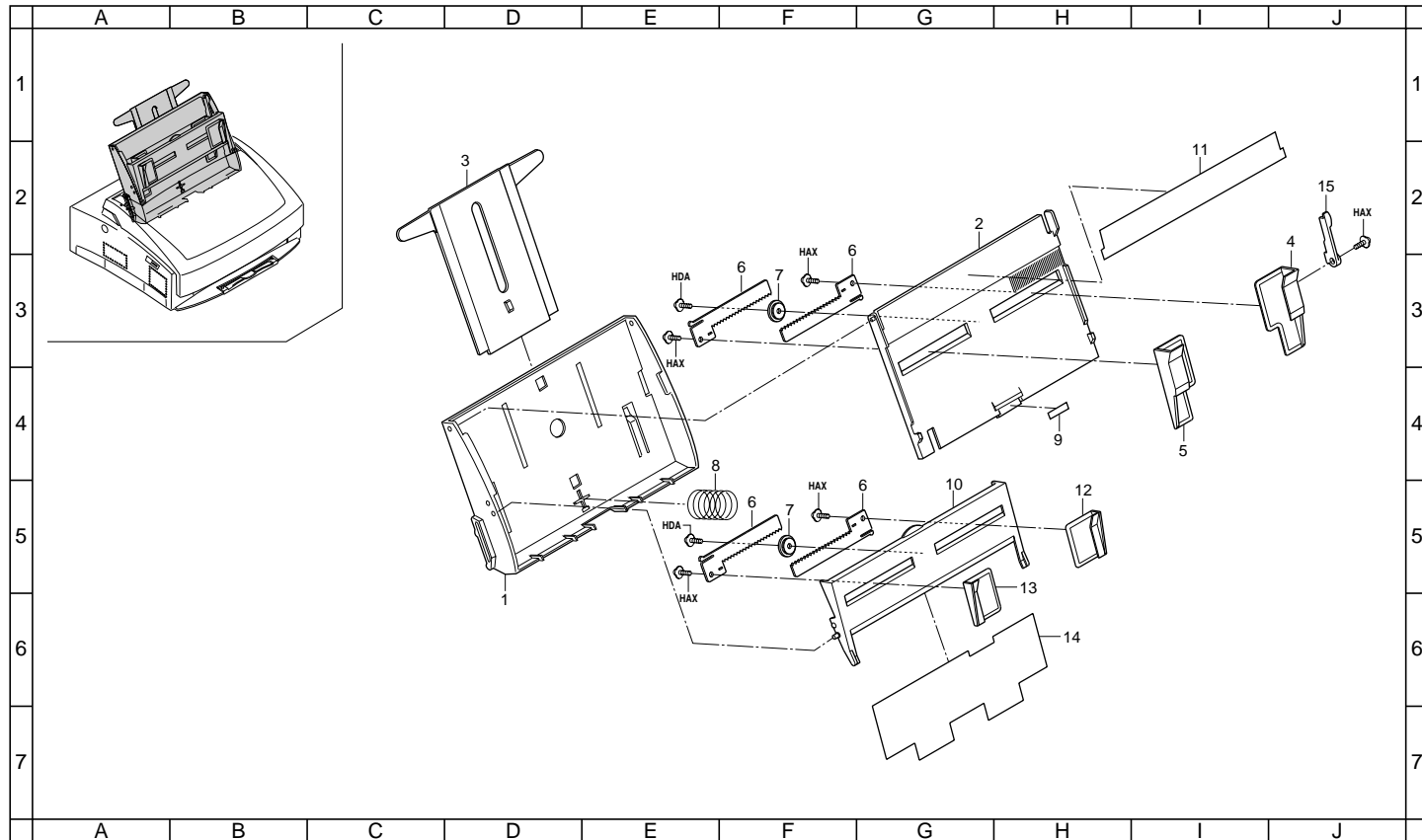


FIG. 3 PAPER FEED TRAY SECTION

Ref. No.	Part. No.	Description	Quantity USA (120V)
1	20406120	TRAY,PAPER FEED	1
2	20406130	GUIDE,TRAY	1
3	35306060	TRAY,AUXILIARY	1
4	20406140	RIGHT CURSOR	1
5	20406150	LEFT CURSOR	1
6	20406160	RACK,CURSOR	4
7	20406170	GEAR,CURSOR	2
8	35306110	SPRING,TRAY	1
9	20406180	PAD,TRAY	1
10	20406200	TRAY,BYPASS	1
11	20405070	LABEL,CASSETTE OPERATION	1
12	20406210	RIGHT CURSOR,BYPASS	1
13	20406220	LEFT CURSOR,BYPASS	1
14	20406230	GUIDE FILM A,BYPASS	1
15	20406190	LEVER,CURSOR RETAINING	1

• Parts with "*" are component parts or sub-assemblies of the assembly appearing immediately above them.

FIG. 4 DRIVING SECTION

Ref. No.	Part. No.	Description	Quantity USA (120V)
1	20406010	PULLEY,PAPER FEED	1
2	20406030	SHAFT,PAPER FEED ROLLER	1
3	35306030	COLLAR,PAPER FEED	2
4	20406040	SPRING,PAPER FEED CLUTCH	1
5	20406110	GEAR,PAPER FEED CLUTCH	1
6	20406050	BOSS,PAPER FEED CLUTCH	1
7	20406060	COLLAR,PAPER FEED CLUTCH	1
8	20406070	HOLDER,PAD	1
9	20406080	PAD,PAPER FEED	1
10	35306180	SPRING,PAD	1
11	35327400	SWITCH,FEED	1
12	35306210	UPPER ROLLER,FEED	1
13	35306220	LOWER ROLLER,FEED	1
14	35306230	UPPER GEAR,FEED ROLLER	1
15	35306240	GEAR 20,PAPER FEED IDLE	1
16	35306250	BUSHING 4	2
17	35306260	ACTUATOR,PAPER FEED DETECTION	1
18	35406130	SPRING,FEED	2
19	35393040	PARTS SOLENOID PAPER FEED(SP)	1
20	35306290	BUSHING 6,FEED	2
21	35306300	GROUND PLATE,PAPER FEED	1
22	20406270	SPONGE,PAD HOLDER	2
23	20406090	GUIDE FILM,PAD	1
24	35306350	SPRING,ACTUATOR	1
25	35322010	MOUNT,MOTOR	1
26	35322020	GEAR 20,PAPER FEED DRIVE	1
27	35322030	GEAR 16/24,PAPER FEED DRIVE	1
28	35322040	GEAR 18/21,PAPER FEED DRIVE	1
29	35322050	GEAR 96/20,MOTOR	1
30	35322070	GEAR 20/32,DEVELOPING DRIVE	1
31	35322090	GEAR 25/22,DRUM DRIVE	1
32	35322110	GEAR 16,DEVELOPING DRIVE	1
33	35322150	REINFORCEMENT,DRIVE	1
34	35322160	GEAR 20,FIXING DRIVE	1
35	35322170	GEAR 32,DEVELOPING JOINT	1
36	35393111	PARTS MOTOR MAIN(SP)	1
37	29806560	BUSHING 6	2
38	63511220	STOP RING,4	1
39	68827010	SWITCH,INTERLOCK	1
40	35302130	LEVER,SAFETY SWITCH	1

205-1

Ref. No.	Part. No.	Description	Quantity USA (120V)
41	35302140	MOUNT,SAFETY SWITCH	1
42	35302030	TERMINAL,DRUM GROUND	1
43	20402031	STAY,SENSOR	1
44	29820420	PIN,BEARING	1
45	35302450	SPRING B,SAFETY SWITCH	1
46	35302461	HOLDER,SAFETY SWITCH	1
47	35327290	JUNCTION WIRING,POWER SOURCE	1
48	35322220	GROUND PLATE,DRIVE	1
49	35306390	COLLAR B,PAPER FEED	2
50	20406280	SPACER,PAD	1
51	35327280	JUNCTION WIRING,CONVEYING SWITCH	1
52	35322230	GEAR 64,DRIVE	1
53	35322240	GEAR 24,DRIVE JOINT	1
54	35322180	GEAR 20,FIXING COUPLER	1
55	35322190	GEAR 28,FIXING COUPLER	1
56	35322200	COUPLER,FIXING DRIVE	1
57	35322210	SPRING,FIXING COUPLER	1
58	35327320	GROUND WIRE,SOLENOID	1
59	M0207000	BINDING BAND,KB-100-1	3
60	35306320	SPONGE,PAD HOLDER	2
61	20406260	VIBRATION INSULATOR A,PAD	1
62	20406020	COLLAR,PAPER FEED PULLEY	2

• Parts with "*" are component parts or sub-assemblies of the assembly appearing immediately above them.

FIG. 5 CHARGING SECTION

205-1

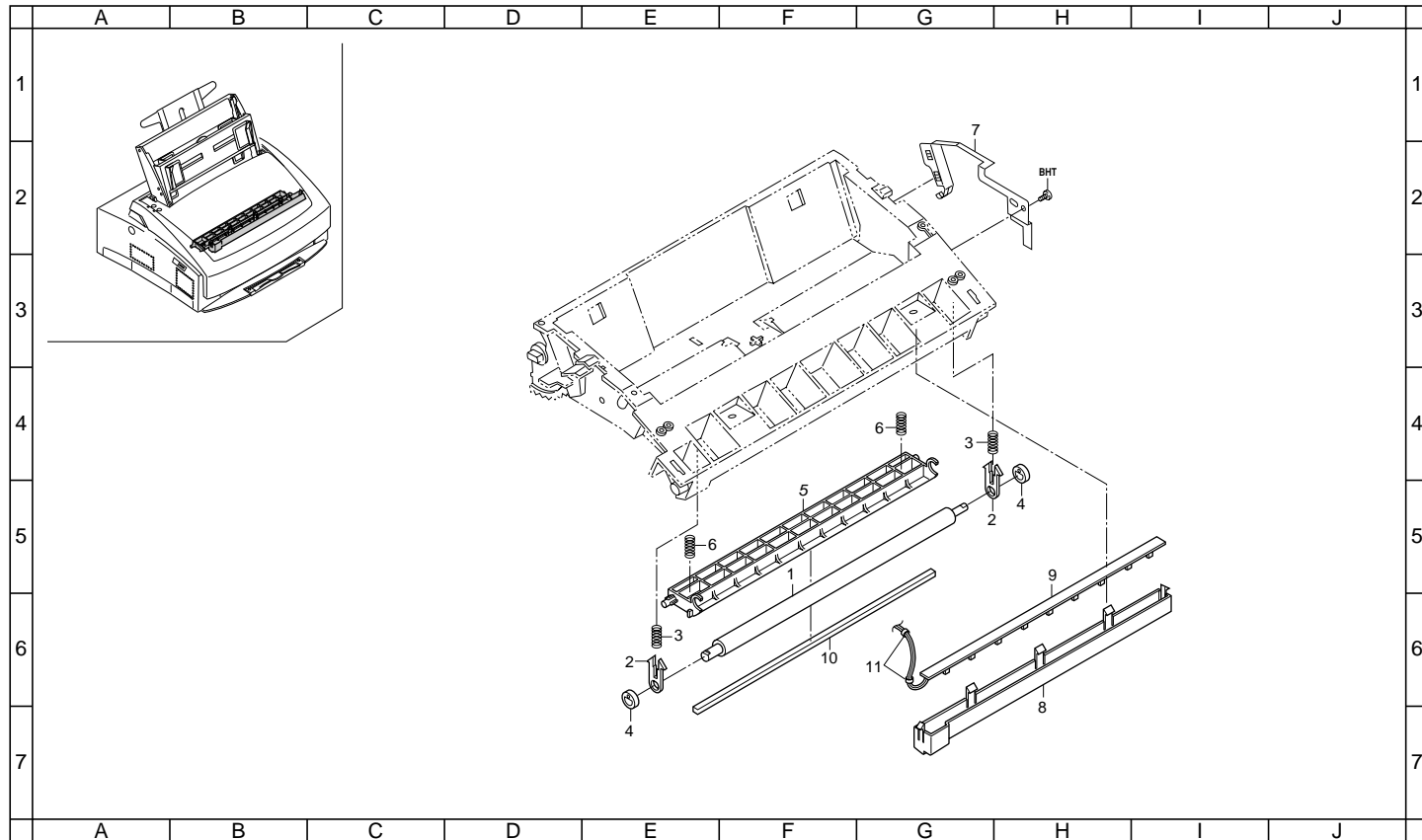


FIG. 5 CHARGING SECTION

Ref. No.	Part. No.	Description	Quantity USA (120V)
1	35316010	ROLLER,TRANSFER	1
2	35316020	BUSHING,TRANSFER	2
3	35316030	SPRING,TRANSFER	2
4	35316110	PULLEY C,TRANSFER ROLLER	2
5	35316051	GUIDE,TRANSFER	1
6	35316060	SPRING,TRANSFER GUIDE	2
7	35316080	UPPER TERMINAL,TRANSFER	1
8	35316090	MOUNT,CLEANING LAMP	1
9	35393133	PARTS LAMP CLEANING(SP)	1
10	35306380	SEAL,PAPER DUST DISPOSAL	1
11	M0207000	BINDING BAND,KB-100-1	2

• Parts with "*" are component parts or sub-assemblies of the assembly appearing immediately above them.

FIG. 6 FIXING SECTION

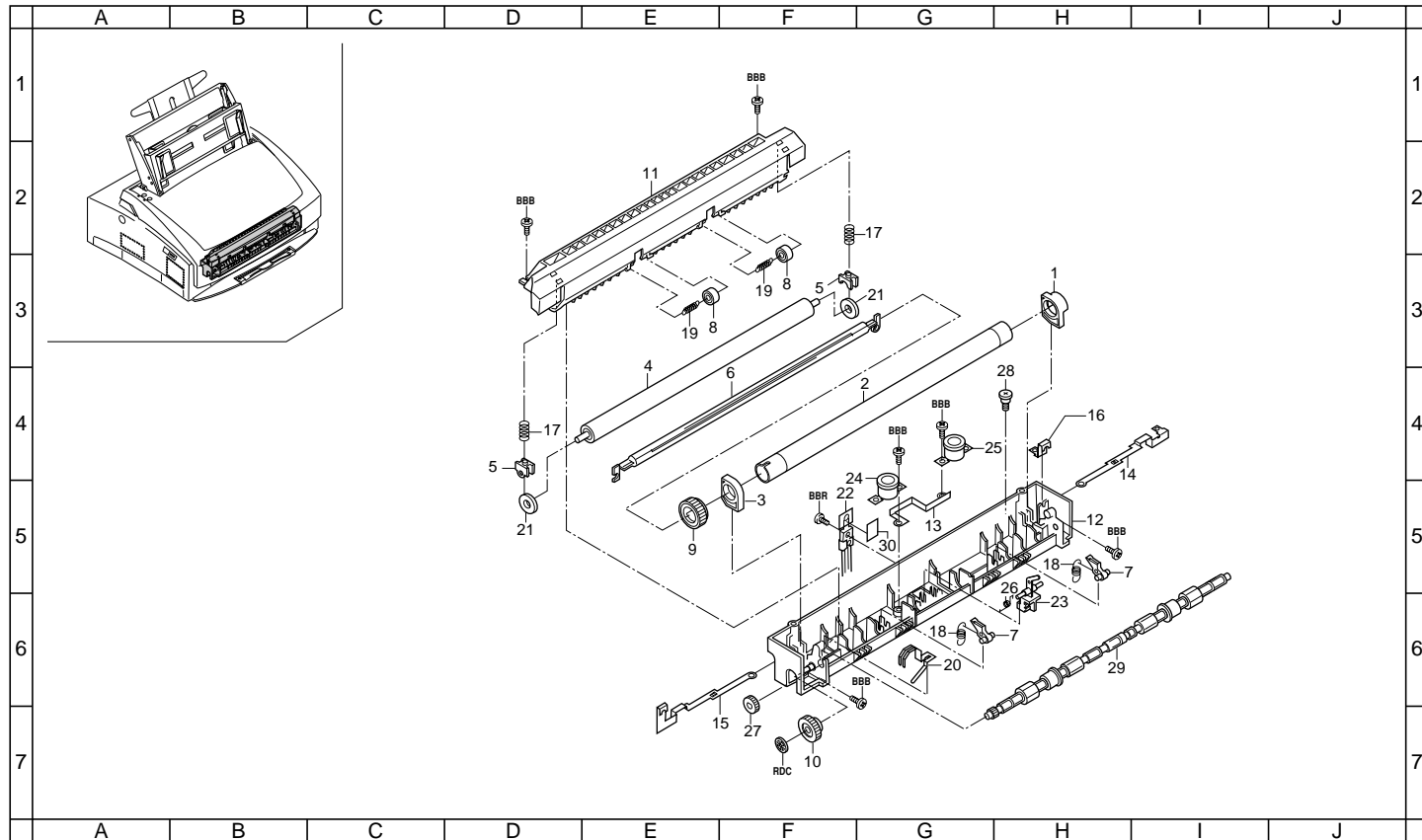


FIG. 6 FIXING SECTION

Ref. No.	Part. No.	Description	Quantity USA (120V)
1	35320320	BUSHING B,HEAT ROLLER	1
2	35393070	PARTS ROLLER HEAT(SP)	1
3	35320030	BUSHING,HEAT ROLLER	1
4	35393080	PARTS ROLLER PRESSURE(SP)	1
5	35320380	BEARING,PRESS ROLLER	2
6	35393090	PARTS HEATER 120 FIXING(SP)	1
7	35320071	SEPARATION CLAW,HEAT ROLLER	2
8	35320081	PULLEY,EJECT	2
9	35320090	GEAR,HEAT ROLLER	1
10	35320100	GEAR,FIXING IDLE	1
11	35420040	UPPER HOUSING,FIXING	1
12	35420050	LOWER HOUSING,FIXING	1
13	35320130	TERMINAL,THERMOSTAT	1
14	35320140	FRONT TERMINAL,FIXING	1
15	35320150	REAR TERMINAL A,FIXING	1
16	35320160	REAR TERMINAL B,HEATER	1
17	35320170	SPRING,FIXING PRESSURE	2
18	35320180	SPRING,SEPARATION CLAW	2
19	35320190	SPRING,EJECT PULLEY	2
20	35320220	GROUND PLATE,HEAT ROLLER	1
21	35320370	HOLDER,PRESS ROLLER BEARING	2
22	35320250	THERMISTOR,FIXING	1
23	35420060	ACTUATOR,EJECT SWITCH	1
24	35320280	THERMAL PROTECTOR A	1
25	35320290	THERMAL PROTECTOR B	1
26	35320300	SPRING,EJECT ACTUATOR	1
27	35320310	GEAR,EJECT ROLLER	1
28	29820420	PIN,BEARING	1
29	35400020	EJECT ROLLER ASS'Y	1
30	35320360	FILM,FIXING THERMISTOR	1

• Parts with "*" are component parts or sub-assemblies of the assembly appearing immediately above them.

FIG. 7 ELECTRICAL COMPONENTS

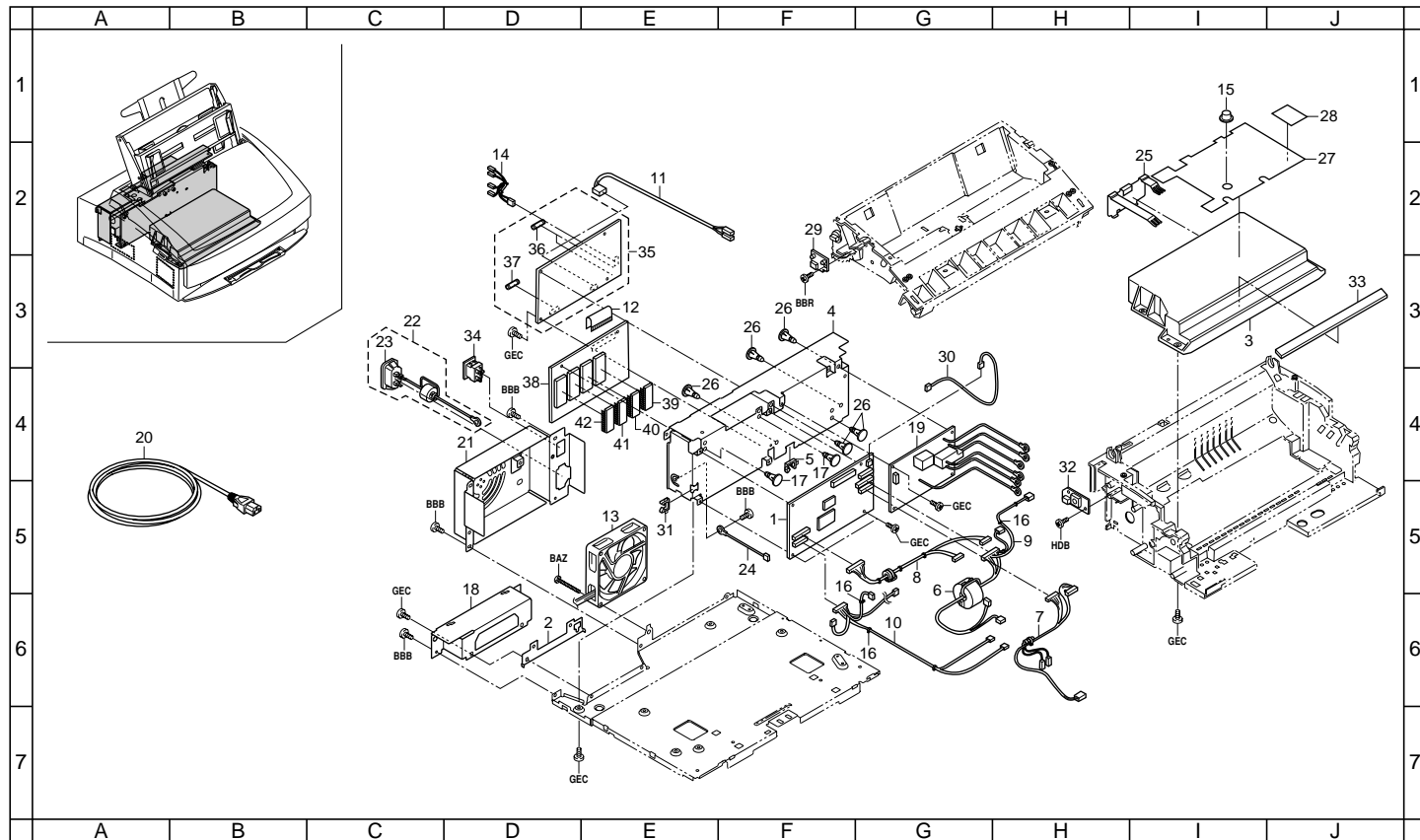


FIG. 7 ELECTRICAL COMPONENTS

205-1

Ref. No.	Part. No.	Description	Quantity USA (120V)
1	20493010	PARTS MAIN PCB ASS'Y(SP)	1
2	20426030	SUPPORT PLATE,INTERFACE CONNECTOR	1
3	35393050	PARTS UNIT SCANNER(SP)	1
4	20426010	MOUNT,PCB	1
5	M2104200	EDGING EDS-1	1
6	63827080	FERRITE CORE	1
7	20427050	WIRE,POWER SOURCE	1
8	20427100	WIRE,LSU	1
9	20427010	WIRE,OUTPUT	1
10	20427020	WIRE,SWITCH	1
11	20427260	WIRE,HEATER	1
12	35327120	WIRE GD11	1
13	20427040	FAN,COOLING	1
14	20427110	WIRE,INLET	1
15	35312040	CAP,LSU	1
16	M0207000	BINDING BAND,KB-100-1	3
17	M2108640	SPACER,KGLS-10RT(KITAGAWA)	2
18	20426020	MOUNT,INTERFACE CONNECTOR	1
19	35393163	PARTS HIGH VOLTAGE UNIT PCB(SP)	1
20	78027100	POWER CORD(USA)	1
21	20404020	REAR COVER	1
22	35301031	INLET ASS'Y	1
23	*71827340	INLET 3P,POWER	1
24	18514340	THERMISTOR,DEVELOPING	1
25	35312030	GROUND PLATE,LSU	1
26	M2108610	SPACER,KGLS-6RT	5
27	35312020	COVER,LSU	1
28	67305310	CAUTION LABEL,HV	1
29	35393180	PARTS INDICATION PLATE PCB(SP)	1
30	20427030	JUNCTION WIRING,FAN	1
31	M2104350	EDGING,EDS-0607M(KITAGAWA)	1
32	20493020	PARTS SWITCH PCB(SP)	1
33	35368020	GLASS,COVER	1
34	63527320	MAIN SWITCH M	1
35	20493030	PARTS POWER SOURCE PCB 120 (SP)	1
36	*M1660010	FUSE,237010(LITTEL)	2
37	*M1655030	FUSE,237005(LITTEL)	1
38	20593010	PARTS PCB PCL(SP)	1
39	20427121	IC,ROM1A0	1
40	20427131	IC,ROM1A1	1

Ref. No.	Part. No.	Description	Quantity USA (120V)
41	20427141	IC,ROM1A2	1
42	20427151	IC,ROM1A3	1

* Parts with "*" are component parts or sub-assemblies of the assembly appearing immediately above them.

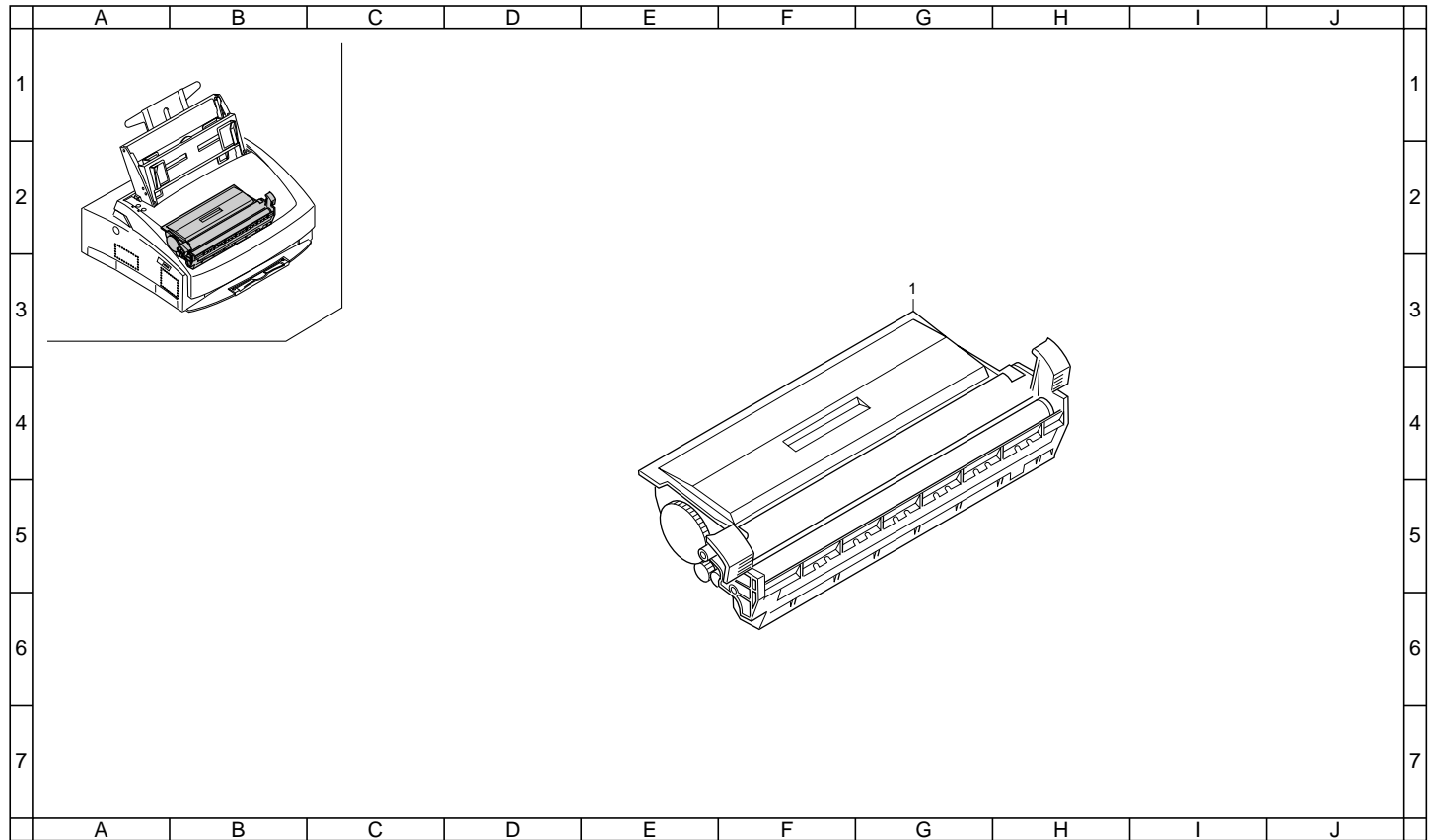


FIG. 8 IMAGING UNIT

Ref. No.	Part. No.	Description	Quantity USA (120V)
1	35382020	IMAGING UNIT (H)USA	1

• Parts with "*" are component parts or sub-assemblies of the assembly appearing immediately above them.

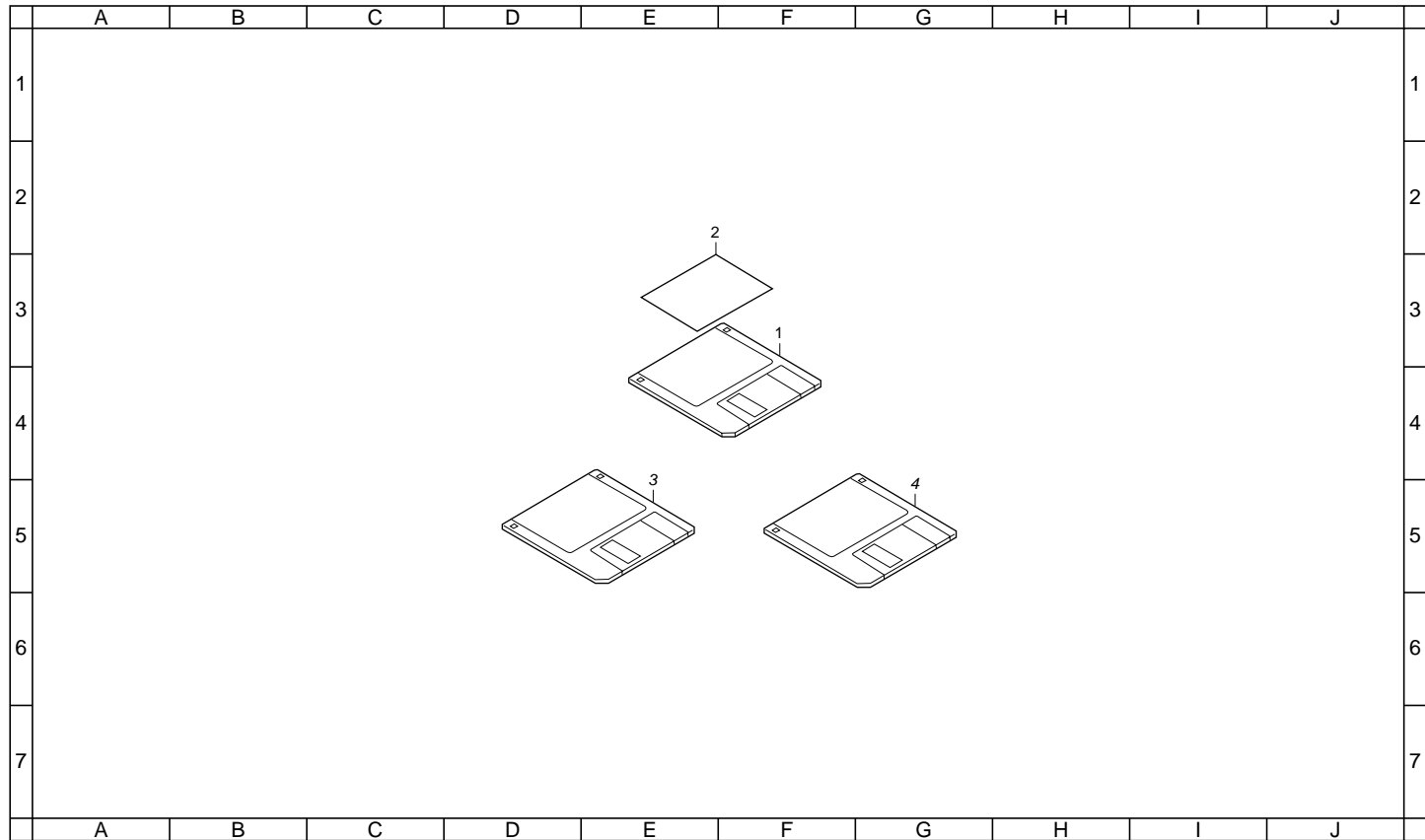


FIG. 9 ACCESSORIES

Ref. No.	Part. No.	Description	Quantity USA (120V)
1	20427080	FD PCL	1
2	20405060	LABEL PCL,FD	1
3	20427270	FD PCLNT1	1
4	20427280	FD PCLNT2	1

• Parts with "*" are component parts or sub-assemblies of the assembly appearing immediately above them.

INDEX

205-1

Part. No.	Description	Quantity USA (120V)	Fig. No.
18514340	THERMISTOR,DEVELOPING	1	7
20402010	BASE	1	2
20402020	HOLDER,GEAR DAMPER	1	2
20402031	STAY,SENSOR	1	4
20404011	UPPER COVER	1	1
20404020	REAR COVER	1	7
20404030	COVER,COOLING FAN	1	1
20404040	COVER,EJECT	1	2
20404050	COVER,MEMORY BOARD	1	1
20404060	LID,MEMORY BOARD	1	1
20404070	HOLDER,RESET SWITCH	1	2
20404080	KEY TOP,RESET SWITCH	1	1
20405060	LABEL PCL,FD	1	9
20405070	LABEL,CASSETTE OPERATION	1	3
20406010	PULLEY,PAPER FEED	1	4
20406020	COLLAR,PAPER FEED PULLEY	2	4
20406030	SHAFT,PAPER FEED ROLLER	1	4
20406040	SPRING,PAPER FEED CLUTCH	1	4
20406050	BOSS,PAPER FEED CLUTCH	1	4
20406060	COLLAR,PAPER FEED CLUTCH	1	4
20406070	HOLDER,PAD	1	4
20406080	PAD,PAPER FEED	1	4
20406090	GUIDE FILM,PAD	1	4
20406110	GEAR,PAPER FEED CLUTCH	1	4
20406120	TRAY,PAPER FEED	1	3
20406130	GUIDE,TRAY	1	3
20406140	RIGHT CURSOR	1	3
20406150	LEFT CURSOR	1	3
20406160	RACK,CURSOR	4	3
20406170	GEAR,CURSOR	2	3
20406180	PAD,TRAY	1	3
20406190	LEVER,CURSOR RETAINING	1	3
20406200	TRAY,BYPASS	1	3
20406210	RIGHT CURSOR,BYPASS	1	3
20406220	LEFT CURSOR,BYPASS	1	3
20406230	GUIDE FILM A,BYPASS	1	3
20406240	GUIDE FILM B,BYPASS	1	1
20406260	VIBRATION INSULATOR A,PAD	1	4
20406270	SPONGE,PAD HOLDER	2	4
20406280	SPACER,PAD	1	4

Part. No.	Description	Quantity USA (120V)	Fig. No.
20420010	TRAY A,EJECT	1	2
20420020	TRAY B,EJECT	1	2
20420030	SLIDER,EJECT TRAY	2	2
20426010	MOUNT,PCB	1	7
20426020	MOUNT,INTERFACE CONNECTOR	1	7
20426030	SUPPORT PLATE,INTERFACE CONNECTOR	1	7
20427010	WIRE,OUTPUT	1	7
20427020	WIRE,SWITCH	1	7
20427030	JUNCTION WIRING,FAN	1	7
20427040	FAN,COOLING	1	7
20427050	WIRE,POWER SOURCE	1	7
20427080	FD PCL	1	9
20427100	WIRE,LSU	1	7
20427110	WIRE,INLET	1	7
20427121	IC,ROM1A0	1	7
20427131	IC,ROM1A1	1	7
20427141	IC,ROM1A2	1	7
20427151	IC,ROM1A3	1	7
20427260	WIRE,HEATER	1	7
20427270	FD PCLNT1	1	9
20427280	FD PCLNT2	1	9
20493010	PARTS MAIN PCB ASS'Y(SP)	1	7
20493020	PARTS SWITCH PCB(SP)	1	7
20493030	PARTS POWER SOURCE PCB 120 (SP)	1	7
20504010	COVER,RELEASE	1	1
20593010	PARTS PCB PCL(SP)	1	7
29806560	BUSHING 6	2	4
29820420	PIN,BEARING	2	4, 6
35301031	INLET ASS'Y	1	7
35302010	FRAME,MACHINE	1	2
35302020	UPPER FRAME	1	2
35302030	TERMINAL,DRUM GROUND	1	4
35302040	TERMINAL,DEVELOPING BIAS	1	2
35302050	TERMINAL,SUB DEVELOPING BIAS	1	2
35302060	TERMINAL,TRANSFER MACHINE	1	2
35302070	TERMINAL,MAIN CHARGER	1	2
35302080	TERMINAL,GRID	1	2
35302090	TERMINAL,BRUSH	1	2
35302101	HOOK A	1	2
35302112	HOOK B	1	2

Part. No.	Description	Quantity USA (120V)	Fig. No.
35302120	SPRING,HOOK	1	2
35302130	LEVER,SAFETY SWITCH	1	4
35302140	MOUNT,SAFETY SWITCH	1	4
35302160	LEVER,RELEASE RETAINING	1	2
35302210	PLATE SPRING A,DRUM UNIT HOLDER	1	2
35302220	PLATE SPRING B,DRUM UNIT HOLDER	1	2
35302250	RIGHT LEVER,RELEASE RETAINING	1	2
35302260	GROUND PLATE,FRAME	1	2
35302270	SPRING,HOOK	1	2
35302290	GUIDE,DRUM SHAFT	1	2
35302320	PROJECTION,DRUM UNIT LIMITATION (USA)	1	2
35302340	SHEET,FRAME SHIELD (USA)	1	2
35302360	COVER,TERMINAL	1	2
35302380	ACTUATOR,IJ DETECTION	1	2
35302390	MOUNT,IJ DETECTION SWITCH	1	2
35302400	TERMINAL BASE,MAIN CHARGER	1	2
35302410	LID,HIGH VOLTAGE TERMINAL	1	2
35302430	SPRING,MAIN CHARGER	1	2
35302450	SPRING B,SAFETY SWITCH	1	4
35302461	HOLDER,SAFETY SWITCH	1	4
35302470	STRAP A,MACHINE RELEASE	1	2
35302500	PIN,MACHINE FULCRUM	2	2
35302520	UPPER MOUNT,FRAME SPRING	1	2
35302540	SPACER,PAPER FEED TRAY	1	2
35304050	BASE RUBBER	2	2
35304080	LEVER,RELEASE	1	1
35304090	RETAINER,LEVER	2	1
35304100	JUNCTION PLATE,LED	1	1
35304110	LEVER B,RELEASE	1	1
35304140	SPACER,RELEASE LEVER	2	1
35304150	RIGHT SPONGE,COVER	1	1
35306030	COLLAR,PAPER FEED	2	4
35306060	TRAY,AUXILIARY	1	3
35306110	SPRING,TRAY	1	3
35306180	SPRING,PAD	1	4
35306210	UPPER ROLLER,FEED	1	4
35306220	LOWER ROLLER,FEED	1	4
35306230	UPPER GEAR,FEED ROLLER	1	4
35306240	GEAR 20,PAPER FEED IDLE	1	4
35306250	BUSHING 4	2	4

Part. No.	Description	Quantity USA (120V)	Fig. No.
35306260	ACTUATOR,PAPER FEED DETECTION	1	4
35306290	BUSHING 6,FEED	2	4
35306300	GROUND PLATE,PAPER FEED	1	4
35306320	SPONGE,PAD HOLDER	2	4
35306350	SPRING,ACTUATOR	1	4
35306360	CUSHION,TRAY	2	2
35306380	SEAL,PAPER DUST DISPOSAL	1	5
35306390	COLLAR B,PAPER FEED	2	4
35312020	COVER,LSU	1	7
35312030	GROUND PLATE,LSU	1	7
35312040	CAP,LSU	1	7
35316010	ROLLER,TRANSFER	1	5
35316020	BUSHING,TRANSFER	2	5
35316030	SPRING,TRANSFER	2	5
35316051	GUIDE,TRANSFER	1	5
35316060	SPRING,TRANSFER GUIDE	2	5
35316080	UPPER TERMINAL,TRANSFER	1	5
35316090	MOUNT,CLEANING LAMP	1	5
35316110	PULLEY C,TRANSFER ROLLER	2	5
35320030	BUSHING,HEAT ROLLER	1	6
35320071	SEPARATION CLAW,HEAT ROLLER	2	6
35320081	PULLEY,EJECT	2	6
35320090	GEAR,HEAT ROLLER	1	6
35320100	GEAR,FIXING IDLE	1	6
35320130	TERMINAL,THERMOSTAT	1	6
35320140	FRONT TERMINAL,FIXING	1	6
35320150	REAR TERMINAL A,FIXING	1	6
35320160	REAR TERMINAL B,HEATER	1	6
35320170	SPRING,FIXING PRESSURE	2	6
35320180	SPRING,SEPARATION CLAW	2	6
35320190	SPRING,EJECT PULLEY	2	6
35320220	GROUND PLATE,HEAT ROLLER	1	6
35320250	THERMISTOR,FIXING	1	6
35320280	THERMAL PROTECTOR A	1	6
35320290	THERMAL PROTECTOR B	1	6
35320300	SPRING,EJECT ACTUATOR	1	6
35320310	GEAR,EJECT ROLLER	1	6
35320320	BUSHING B,HEAT ROLLER	1	6
35320360	FILM,FIXING THERMISTOR	1	6
35320370	HOLDER,PRESS ROLLER BEARING	2	6

Part. No.	Description	Quantity USA (120V)	Fig. No.
35320380	BEARING,PRESS ROLLER	2	6
35322010	MOUNT,MOTOR	1	4
35322020	GEAR 20,PAPER FEED DRIVE	1	4
35322030	GEAR 16/24,PAPER FEED DRIVE	1	4
35322040	GEAR 18/21,PAPER FEED DRIVE	1	4
35322050	GEAR 96/20,MOTOR	1	4
35322070	GEAR 20/32,DEVELOPING DRIVE	1	4
35322090	GEAR 25/22,DRUM DRIVE	1	4
35322110	GEAR 16,DEVELOPING DRIVE	1	4
35322150	REINFORCEMENT,DRIVE	1	4
35322160	GEAR 20,FIXING DRIVE	1	4
35322170	GEAR 32,DEVELOPING JOINT	1	4
35322180	GEAR 20,FIXING COUPLER	1	4
35322190	GEAR 28,FIXING COUPLER	1	4
35322200	COUPLER,FIXING DRIVE	1	4
35322210	SPRING,FIXING COUPLER	1	4
35322220	GROUND PLATE,DRIVE	1	4
35322230	GEAR 64,DRIVE	1	4
35322240	GEAR 24,DRIVE JOINT	1	4
35327120	WIRE GDI1	1	7
35327280	JUNCTION WIRING,CONVEYING SWITCH	1	4
35327290	JUNCTION WIRING,POWER SOURCE	1	4
35327300	GROUND WIRE,CLEANING BRUSH	2	2
35327320	GROUND WIRE,SOLENOID	1	4
35327400	SWITCH,FEED	1	4
35368020	GLASS,COVER	1	7
35393040	PARTS SOLENOID PAPER FEED(SP)	1	4
35393050	PARTS UNIT SCANNER(SP)	1	7
35393070	PARTS ROLLER HEAT(SP)	1	6
35393080	PARTS ROLLER PRESSURE(SP)	1	6
35393090	PARTS HEATER 120 FIXING(SP)	1	6
35393111	PARTS MOTOR MAIN(SP)	1	4
35393133	PARTS LAMP CLEANING(SP)	1	5
35393163	PARTS HIGH VOLTAGE UNIT PCB(SP)	1	7
35393180	PARTS INDICATION PLATE PCB(SP)	1	7
35400020	EJECT ROLLER ASS'Y	1	6
35402360	SPRING 2.5,RELEASE RETAINING	1	2
35402650	SPRING,TONER EMPTY DETECTION	2	2
35402680	PIN,TP-LRM3X6	2	1
35405080	CAUTION LABEL,HIGH TEMPERATURE (EXP)	1	1

Part. No.	Description	Quantity USA (120V)	Fig. No.
35406130	SPRING,FEED	2	4
35420040	UPPER HOUSING,FIXING	1	6
35420050	LOWER HOUSING,FIXING	1	6
35420060	ACTUATOR,EJECT SWITCH	1	6
35502330	SPRING,RELEASE RETAINING	2	2
63511220	STOP RING,4	1	4
63527320	MAIN SWITCH M	1	7
63827080	FERRITE CORE	1	7
66006350	SWITCH,CASSETTE LIFT	1	2
66205080	LABEL,FUSE	1	1
67305310	CAUTION LABEL,HV	1	7
68802110	GEAR 14,DAMPER	1	2
68802120	GEAR 11/34	1	2
68827010	SWITCH,INTERLOCK	2	2, 4
69705020	LABEL,ENERGY STAR(JPN)	1	1
71827340	INLET 3P,POWER	1	7
78027100	POWER CORD(USA)	1	7
M0207000	BINDING BAND,KB-100-1	8	4, 5, 7
M1655030	FUSE,237005(LITTEL)	1	7
M1660010	FUSE,237010(LITTEL)	2	7
M2104200	EDGING EDS-1	1	7
M2104350	EDGING,EDS-0607M(KITAGAWA)	1	7
M2105700	MINIATURE CLAMP,UAMS-03-0	2	2
M2108610	SPACER,KGLS-6RT	5	7
M2108640	SPACER,KGLS-10RT(KITAGAWA)	2	7

Part. No.	Description	Quantity USA (120V)	Fig. No.
35382020	IMAGING UNIT(H)USA	1	8

★ The above items are supply items only and as such,
they must be ordered from your regional office.

CLASSIFICATION OF THE SCREWS IN ILLUSTRATION

<u>REF.</u>	<u>ITEM #</u>	<u>DESCRIPTION</u>
ADA	B4393080	PEDESTALHEAD TAP-TITE SCREW M3X8
BAI	B1003150	BINDING SCREW CVM3X15
BAZ	B1004250	BINDING SCREW CVM4X25(CHROMATING
BBA	B1303040	BINDING SCREW BVM3X4 (BLACK)
BBB	B1303050	BINDING SCREW BVM3X5 (BLACK)
BBK	B1303060	BINDING SCREW BVM3X6 (BLACK)
BBR	B1303080	BINDING SCREW BVM3X8 (BLACK)
BHI	B3313080	BINDING TAP-TITE SCREW M3X08
BHN	B8013080	BINDING TAP-TIGHT SCREW M3X08
BHT	B8313060	BINDING TAP-TITE P SCREW M3X06
EGC	B3303060	BIND TAPPING SCREW M3X6(B TYPE)
E05	D1000500	STOP RING (E-5)
GEC	B9603050	GROUNDING SCREW M3X5(BRASS,NI/)
HAX	B4043050	TRIPLE TAP-TITE P SCREW M3X05
HBA	B4303050	TRIPLE SCREW M3X5 (BLACK)
HCD	B4103080	TRIPLE SCREW M3X08(CHROMIUM)
HDA	B4343060	TRIPLE TAP-TITE P SCREW M3X06(BL
HDB	B4343080	TRIPLE TAP-TITE P SCREW M3X08(BL
KAL	E0020100	SPRING PIN 2X10
KAV	E0030120	SPRING PIN 3X12
RDC	D4000300	STOP RING CSTW-3

MITA COPYSTAR AMERICA, INC.

Headquarters:

225 Sand Road, P.O. Box 40008
Fairfield, New Jersey 07004-0008
TEL : (973) 808-8444
FAX : (973) 882-6000

New York Show Room:

149 West 51st street,
New York, NY 10019
TEL : (212) 554-2679
FAX : (212) 554-2625

Northeastern Region:

225 Sand Road, P.O. Box 40008
Fairfield, New Jersey 07004-0008
TEL : (973) 808-8444
FAX : (973) 882-4401

Midwestern Region:

225 Spring Lake Drive,
Itasca, Illinois 60143
TEL : (630) 250-7447
FAX : (630) 250-8787

Western Region:

14101 Alton Parkway,
P.O.Box 57006,Irvine,
California 92618-7006
TEL : (714) 457-9000
FAX : (714) 457-9119

Southeastern Region:

1500 Oakbrook Drive,
Norcross, Georgia 30093
TEL : (770) 729-9786
FAX : (770) 729-9873

Southwestern Region:

2825 West Story Road,
Irving, Texas 75038-5299
TEL : (972) 550-8987
FAX : (972) 570-4704

Dallas Parts Distribution Center & National Training Center:

2825 West Story Road,
Irving, Texas 75038-5299
TEL : (972) 659-0055
FAX : (972) 570-5816

MITA COPYSTAR CANADA, LTD.

6120 Kestrel Road,
Mississauga, Ontario L5T 1S8
TEL : (905) 670-4425
FAX : (905) 670-8116

MITA COPYSTAR MEXICO, S.A. DE C.V.

Av. 16 de Septiembre #407
Col. Santa Inés,
Delegación Azcapotzalco
México, D.F. C.P. 02130
TEL : 3-83-27-41
FAX : 3-83-78-04

© 1997 MITA INDUSTRIAL CO., LTD.

MITA and *mita* are registered trademarks of MITA INDUSTRIAL CO., LTD.

Printed in U.S.A.