

---

# ***Fax System(B)***

———— CONTENTS ————

FIG.1 FAX SYSTEM ..... 2

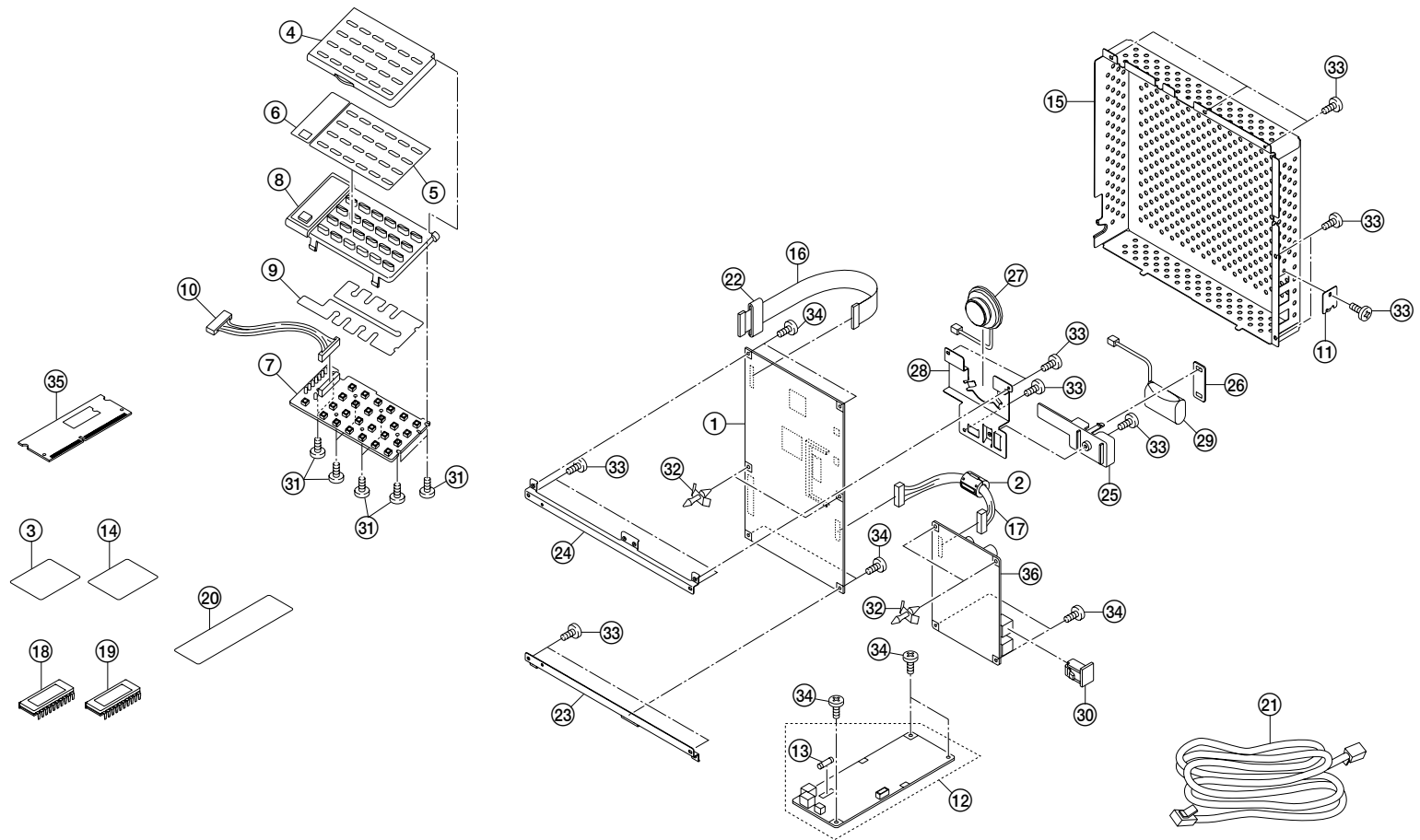


FIG. 1 FAX SYSTEM

SP	Ref. No.	Part. No.	Description	Quantity	
				120V	230V
●	1	3B101010	MAIN ASS'Y FAX(EXP)	1	1
	2	65027470	CORE,7-15X18		1
●	3	3B125040	LABEL,FAX UNIT	1	1
●	4	3B125010	COVER,FAX UNIT(INCH)	1	
●	4	3B125050	COVER,FAX UNIT(METRIC)		1
●	5	3B125020	RIGHT SHEET,FAX UNIT(INCH)	1	
●	5	3B125060	RIGHT SHEET,FAX UNIT(METRIC)		1
●	6	3B125030	LEFT SHEET,FAX UNIT(INCH)	1	
●	6	3B125070	LEFT SHEET,FAX UNIT(METRIC)		1
●	7	2AW24011	OPERATION UNIT PCB FAX	1	1
●	8	2AW25010	HOUSING,FAX UNIT	1	1
●	9	2AW25050	SHEET,DUST SHIELD	1	1
	10	2AW27060	WIRE,OPERATION UNIT	1	1
	11	3B126010	LID,MODULAR JACK	1	1
●	12	2AW28050	SUB POWER SOURCE PCB(100)	1	
●	12	3B128020	SUB POWER SOURCE PCB(200)		1
●	13	●M1652020	FUSE,237002(LITTEL-FUSE)	1	
●	13	●M1751000	FUSE,S505-1.6A(BUSSMANN)		1
●	14	2AW25060	SEAL,ONE-TOUCH	1	1
	15	2AW26010	COVER FAX,SHIELD	1	1
●	16	2AW27010	WIRE FAX	1	1
	17	2AW27020	WIRE,NCU	1	1
●	18	2AW29310	IC 1,ROM CONTROL	1	1
●	19	2AW29320	IC 2,ROM CONTROL	1	1
●	20	3B125080	LABEL,LANGUAGE INDICATION		1
	21	76727300	MODULAR CORD B	1	
	22	3A127060	CORE 27-31X12		1
	23	2AW26030	LOWER MOUNT,FAX	1	1
	24	2AW26020	UPPER MOUNT,FAX	1	1
	25	34426010	HOLDER,BATTERY	1	1
	26	34426020	HOLDER,BATTERY	1	1
	27	79327160	SPEAKER	1	1
	28	2AW26040	MOUNT,SPEAKER	1	1
●	29	35927800	BATTERY,BACKUP (USA)	1	
●	29	35927810	BATTERY,BACKUP (EUR)		1
●	30	63527370	MODULAR COVER	1	1
	31	B3313080	BINDING TAP-TITE SCREW M3X08	9	9
	32	M2108120	SPACER,KGLS-4S	4	4
	33	B1303050	BINDING SCREW BVM3X5 (BLACK)	14	14
	34	B4303050	TRIPLE SCREW M3X5 (BLACK)	9	9

- Parts with "●" are component parts or sub-assemblies of the assembly appearing immediately above them.
- Parts with "●" indicates the Service parts.

3B1

SP	Ref. No.	Part. No.	Description	Quantity		
				120V	230V	
●	35	2AW60010	MEMORY BOARD ASS'Y(OPTION)	1	1	
<b>NCU</b>				HA	HBB	HMN
●	36	3B101030	NCU ASS'Y(N.A.)	1		
●	36	3B101040	NCU ASS'Y(C T R)		1	
●	36	3B101050	NCU ASS'Y(E U G)			1