

SHARP PARTS GUIDE

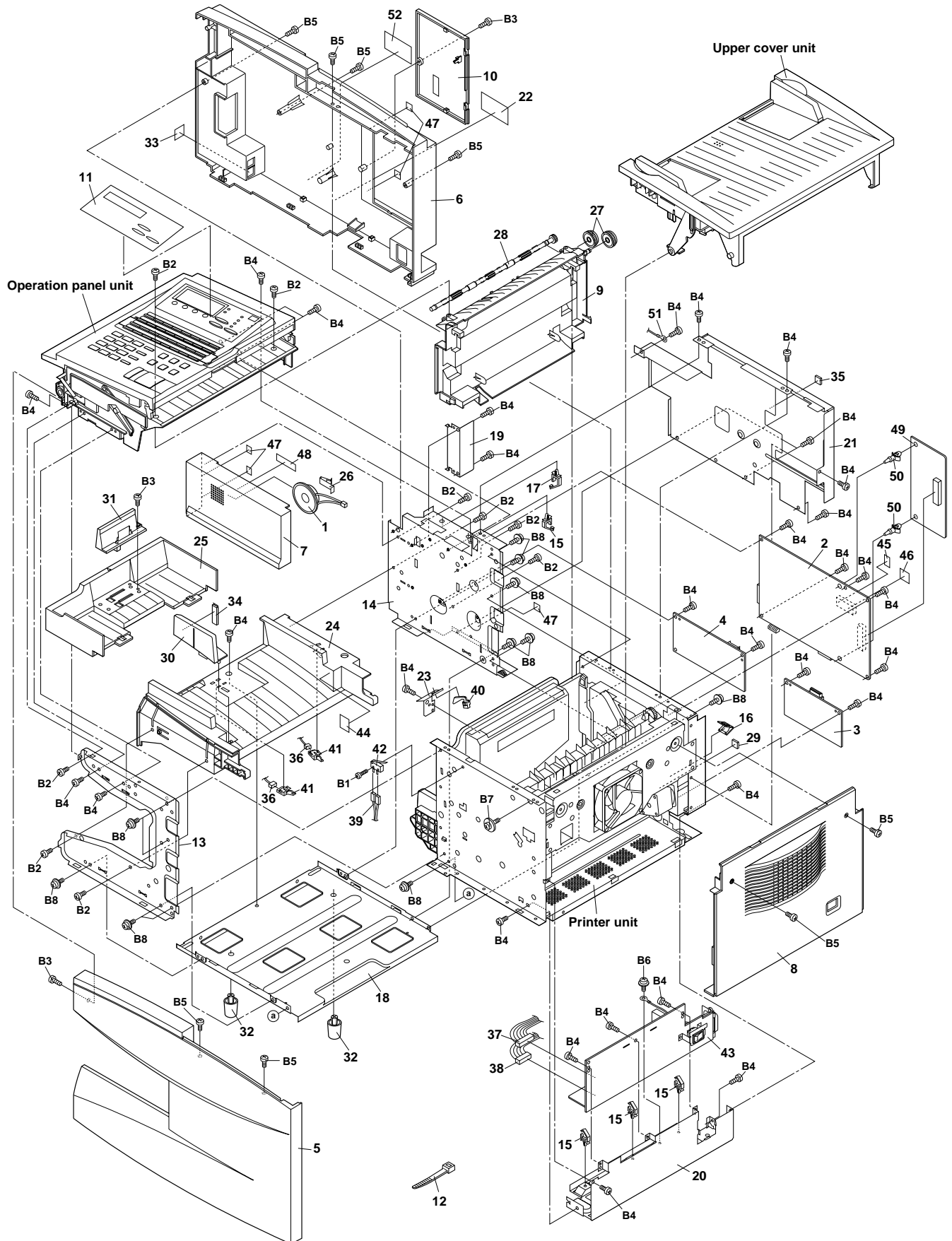
MODEL FO-5800

CONTENTS

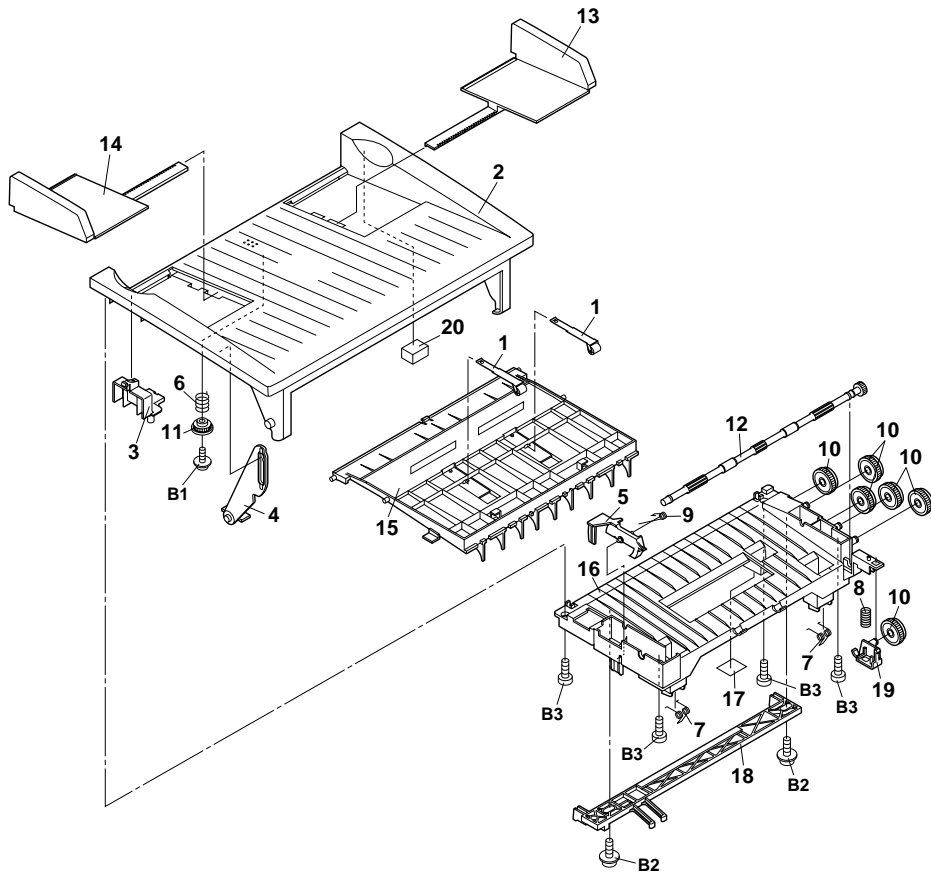
1	Exterior, etc. (1)	14	3rd. cassette (1)
2	Exterior, etc. (2)	15	3rd. cassette (2)
3	Exterior, etc. (3)	16	Packing material & Accessories
4	Operation panel unit	17	Control PWB unit
5	Document guide upper unit	18	Liu PWB unit
6	Drive unit	19	Printer PWB unit
7	Scanner frame unit	20	Power supply PWB unit
8	Frames	21	Operation panel PWB unit
9	Paper take up section	22	High voltage PWB unit
10	Fusing unit	23	Toner empty PWB unit
11	Drive/Transfer section	24	2nd. cassette PWB unit
12	2nd. cassette (1)	25	3rd. cassette PWB unit
13	2nd. cassette (2)	26	Memory PWB unit
		■	Index

Because parts marked with "△" is indispensable for the machine safety maintenance and operation, it must be replaced with the parts specified in the product specification.

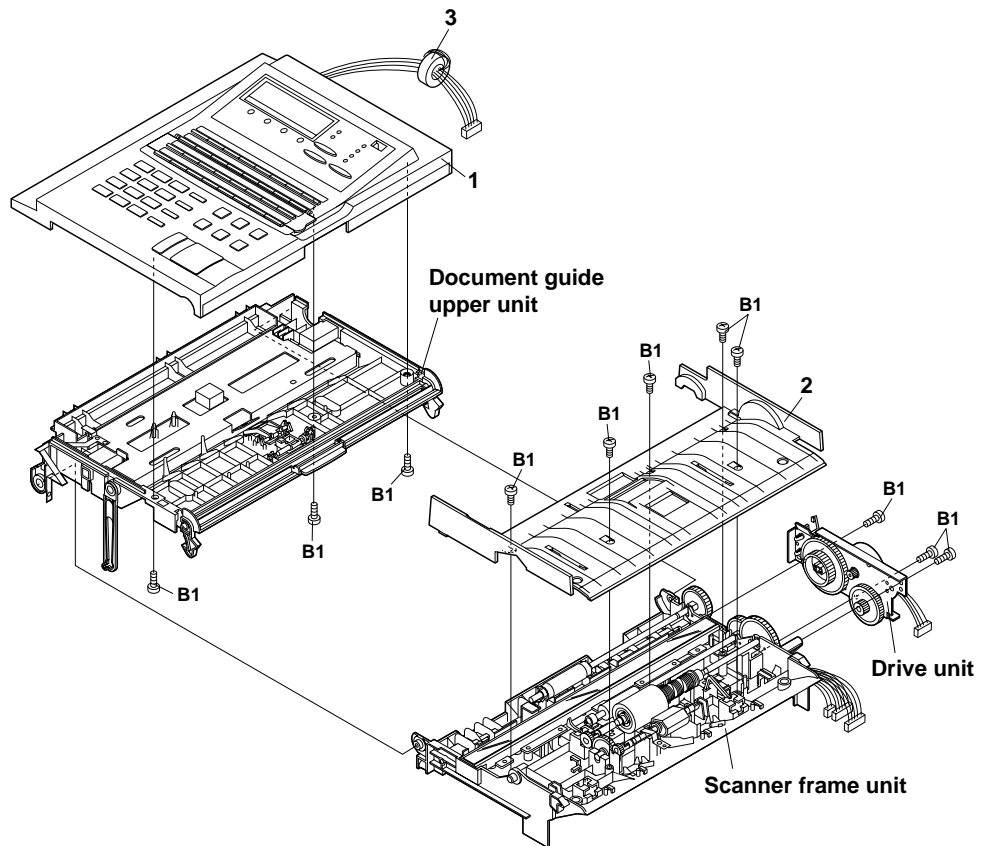
[1] Exterior, etc. (1)



[2] Exterior, etc. (2)



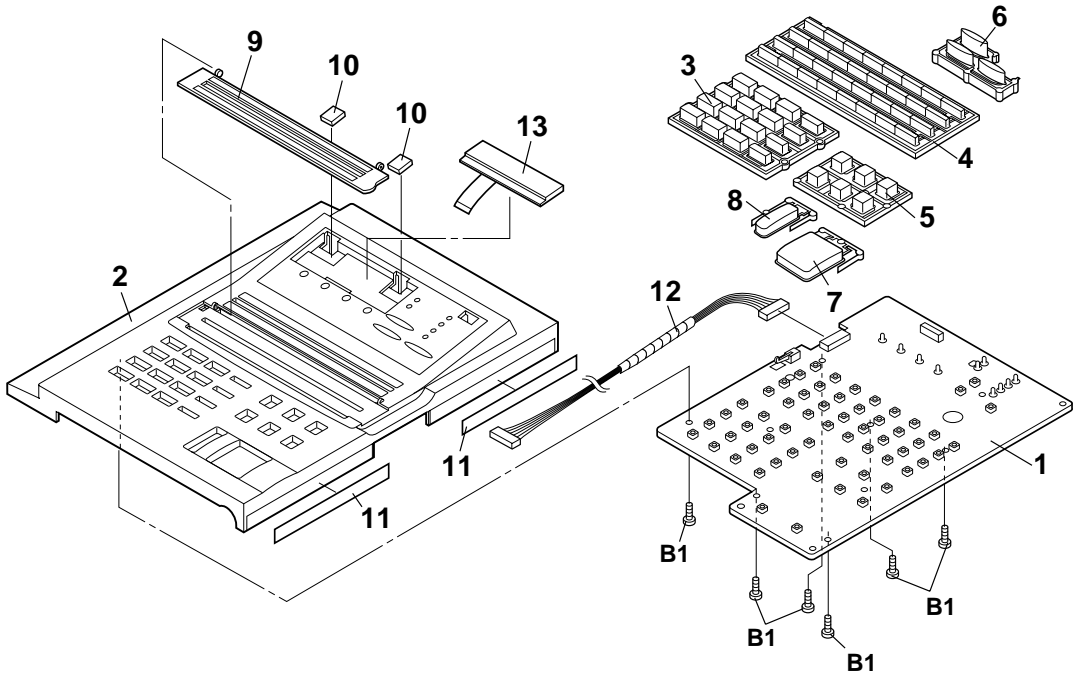
[3] Exterior, etc. (3)



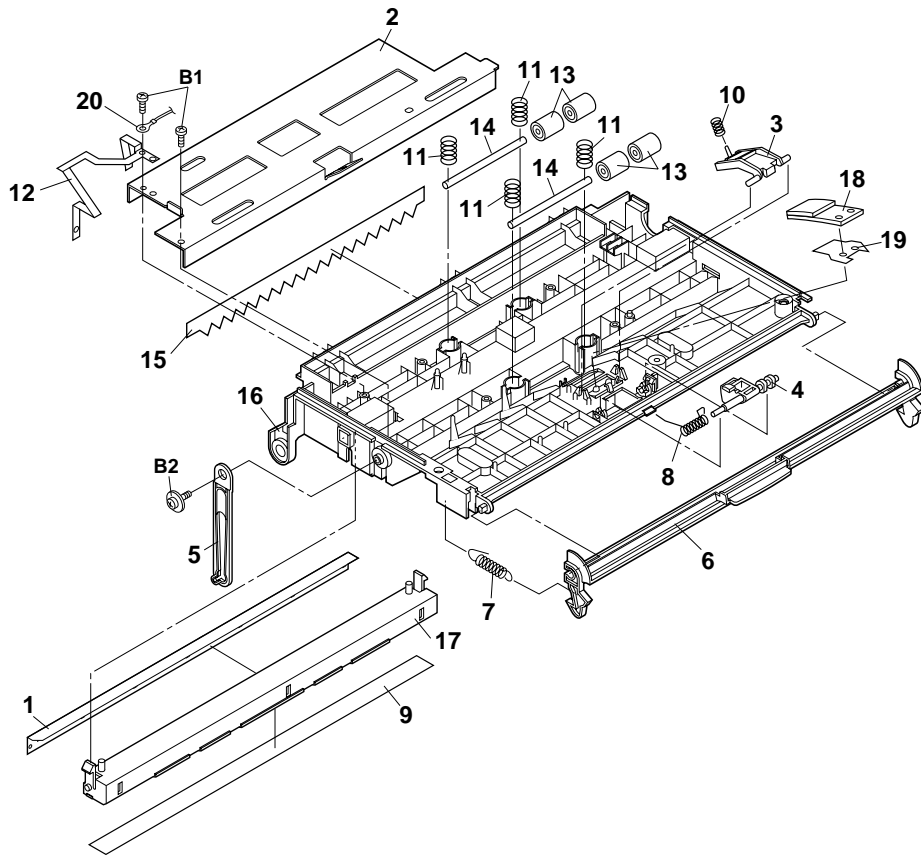
NO.	PARTS CODE	PRICE RANK	NEW MARK	PART RANK	DESCRIPTION
[2] Exterior etc.(2)					
1	CROLP2320XH01	AZ		C	Pinch roller ass'y
2	GCOVA2405XHSA	AK		C	Upper cover
3	JBTN-2255XHSA	AD		C	Upper cover lock button
4	LPLTM3019XHZZ	AD		C	Upper cover stopper
5	MLEVP2305XHZZ	AD		C	DRUM detect lever
6	MSPRC3149XHZZ	AB		C	Hopper spring
7	MSPRC3090XHZZ	AH		C	Press spring
8	MSPRC3100XHZZ	AF		C	Gear bracket spring
9	MSPRD3091XHZZ	AF		C	DRUM detect lever spring
10	NGERH2466XHZZ	AE		C	Idler gear(32Z)
11	NGERP2318XHZZ	AD		C	Pinion gear
12	NROLP2421XHZZ	AM		C	Upper cover roller
13	PGIDM2544XHSA	AE		C	Hopper guide,right
14	PGIDM2545XHSA	AC		C	Hopper guide,left
15	PGIDM2546XHZZ	AH		C	Paper exit guide upper
16	PGIDM2547XHZZ	AK		C	Upper cover guide under
17	PSHEZ3455XHZZ	AF		C	Reflection sheet
18	PTME-2060XHZZ	AF		C	Upper cover lock nail
19	LPLTM3036XHZZ	AH		C	Upper cover gear bracket
20	PCUSS2127XHZZ	AC		C	Upper cover cushion
B1	LX-BZ2138XHZZ	AB		C	Screw(3x8)
B2	LX-BZ2205XHZZ	AC		C	Screw(3x8)
B3	XEBSD30P10000	AA		C	Screw(3x10)
[3] Exterior etc.(3)					
1	CCASP2107XH67	BF	N	E	Operation panel unit
2	PGIDM2541XHHSB	AL	N	C	Document guide under
3	RCORF2125XHZZ	AE		B	Core
B1	XEBSD30P10000	AA		C	Screw(3x10)

△

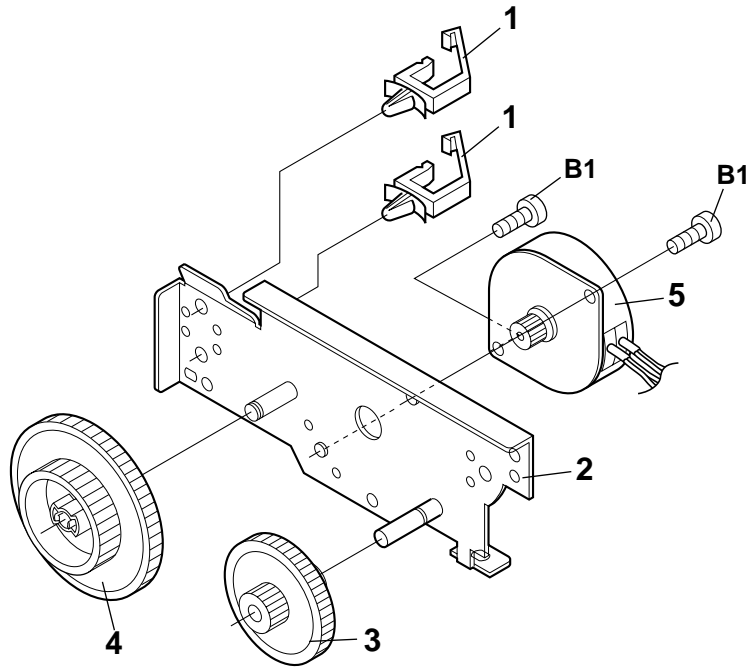
[4] Operation panel unit



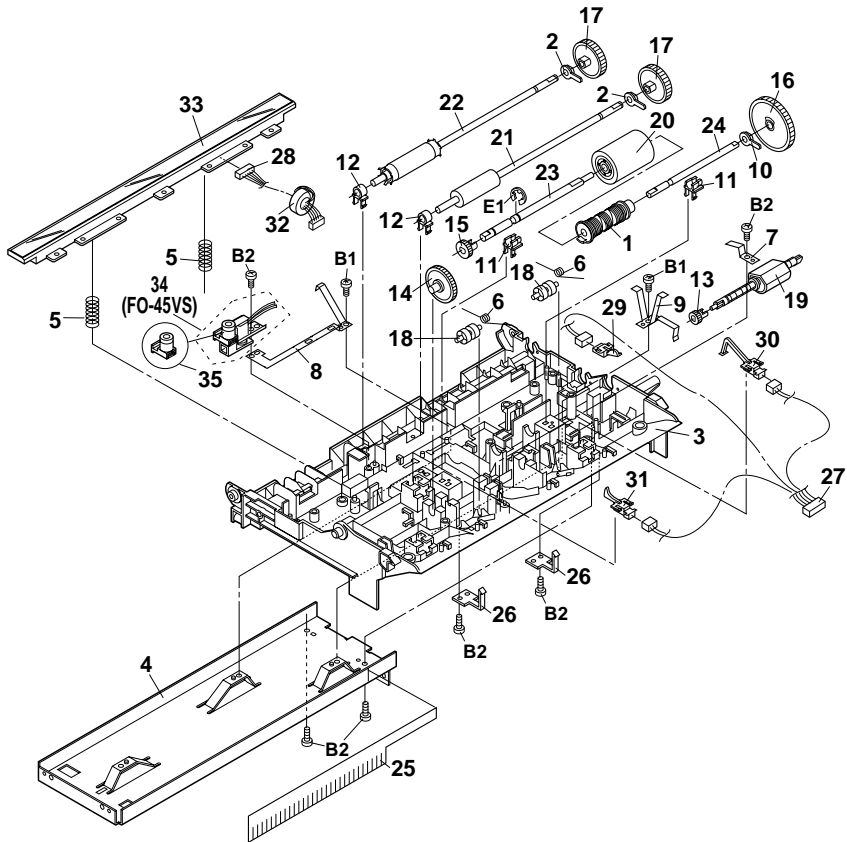
[5] Document guide upper unit



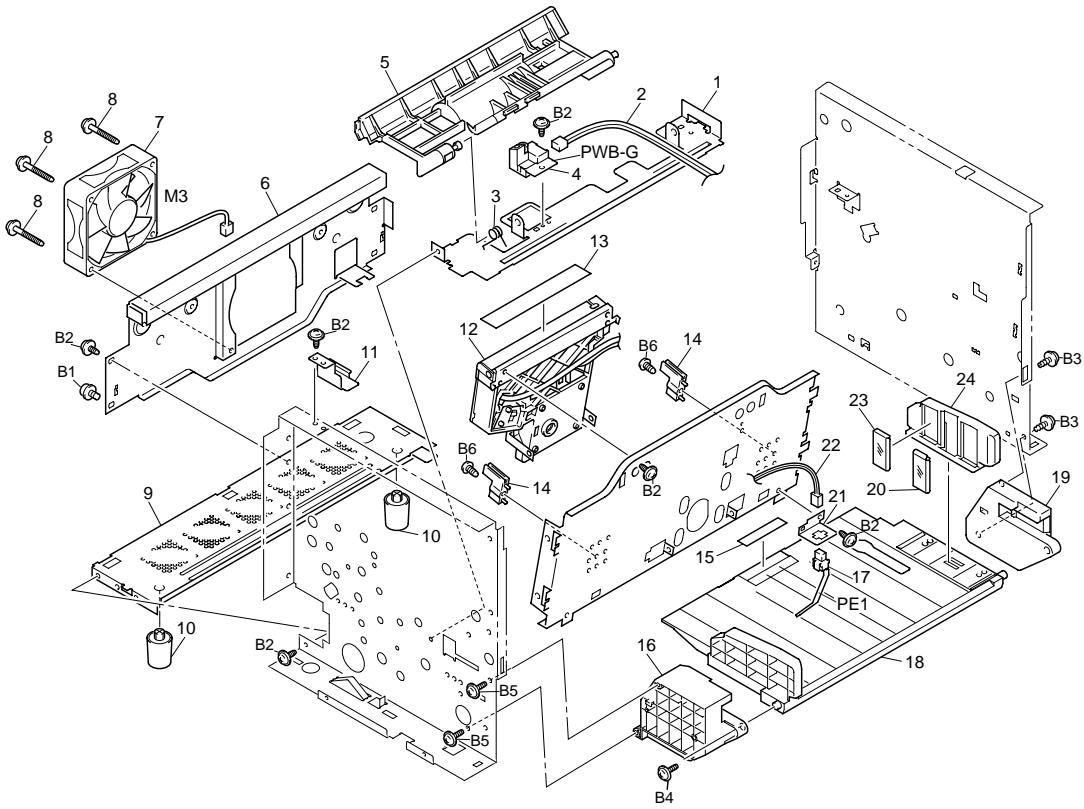
[6] Drive unit



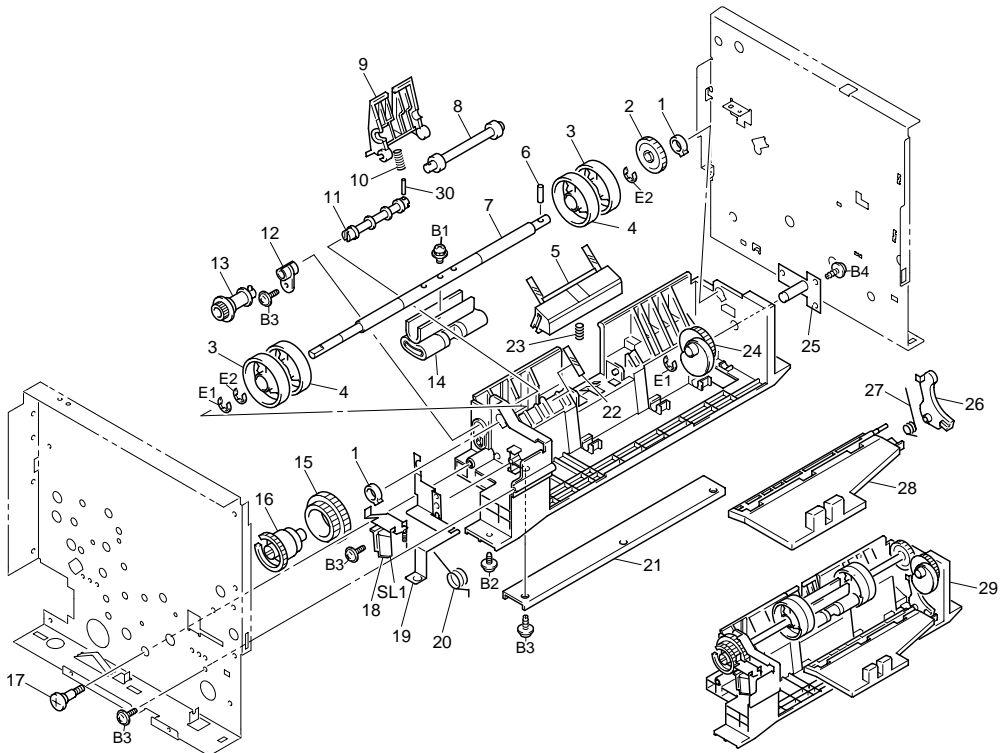
[7] Scanner frame unit



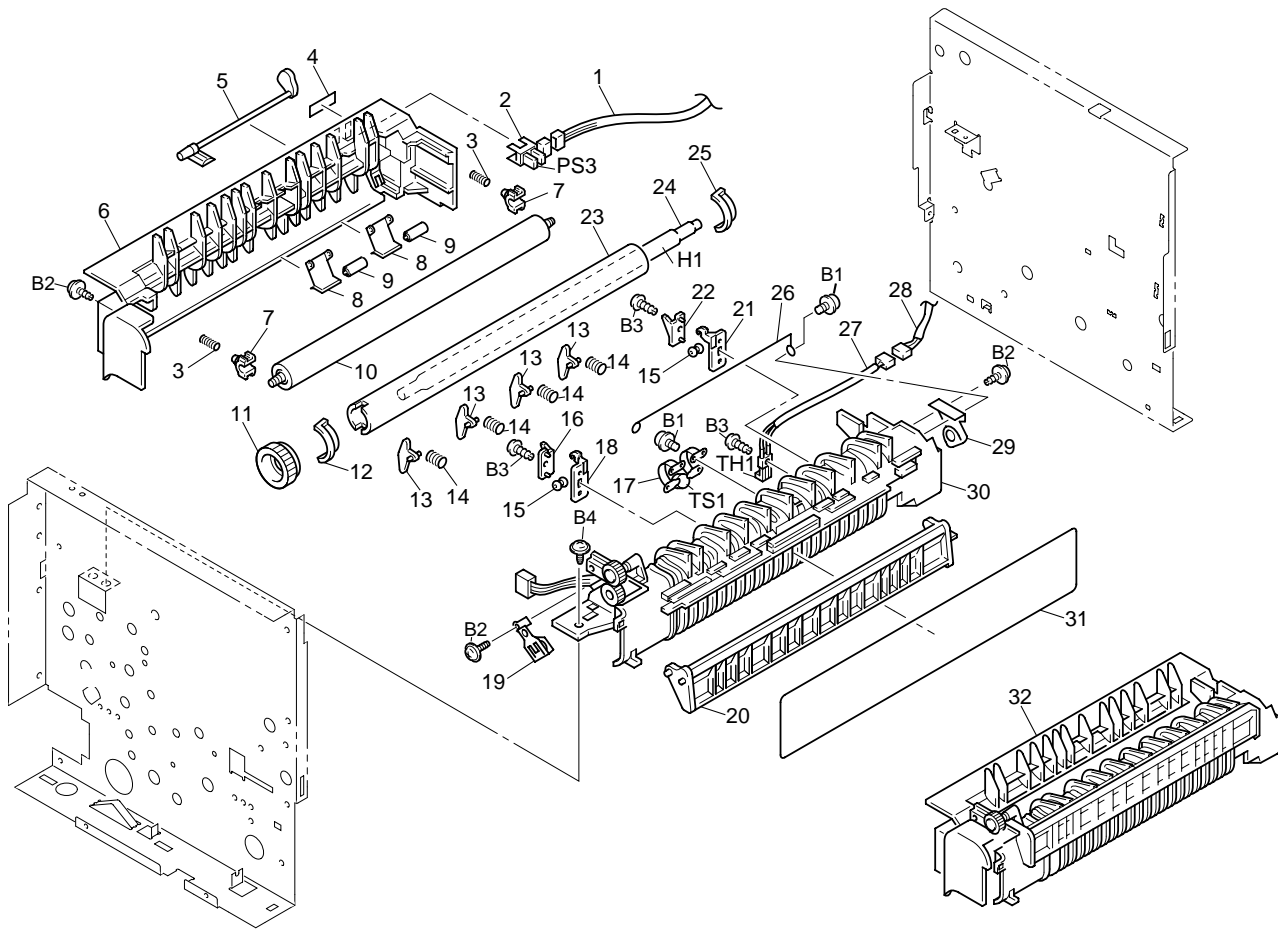
[8] Frames



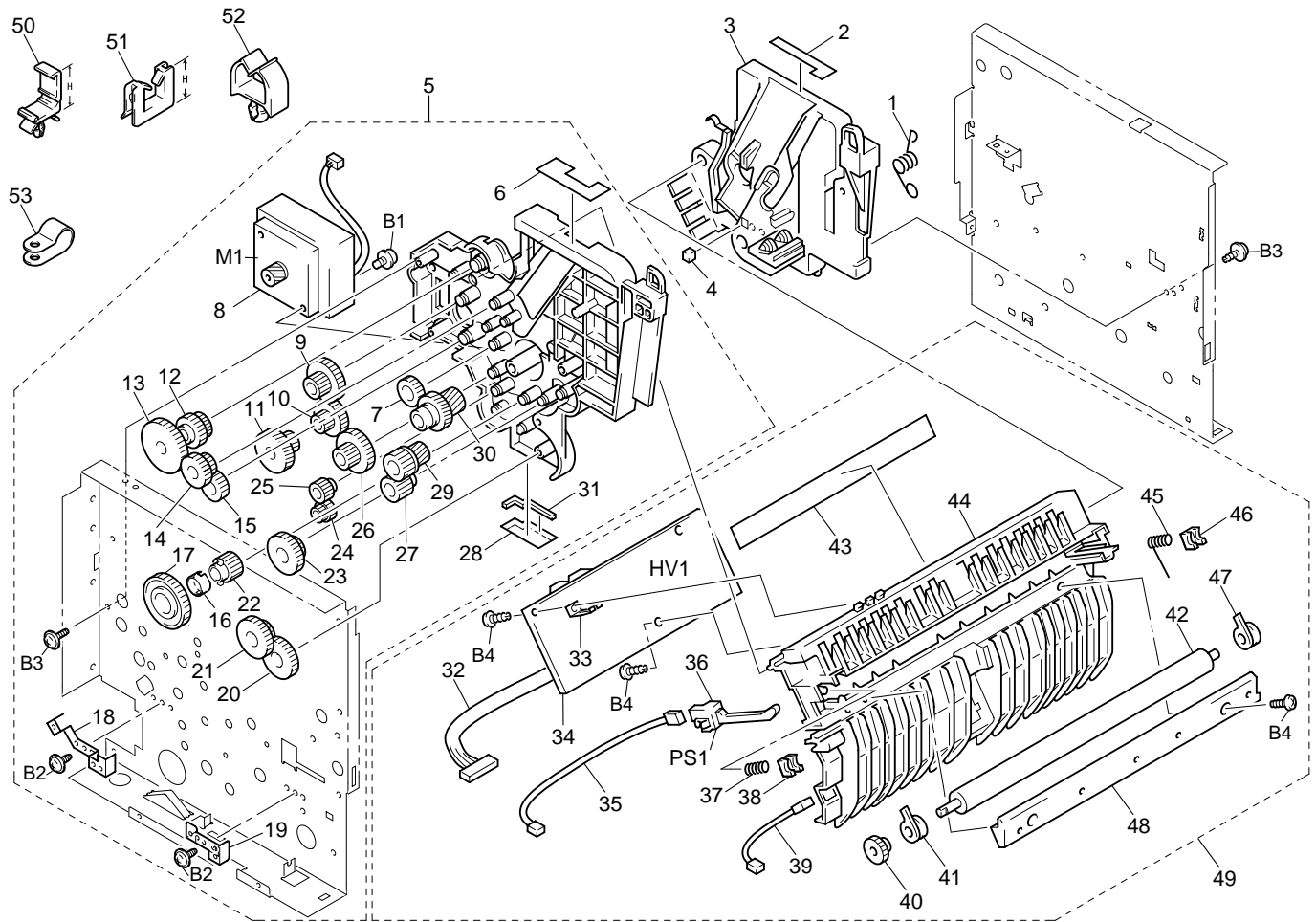
[9] Paper take up section



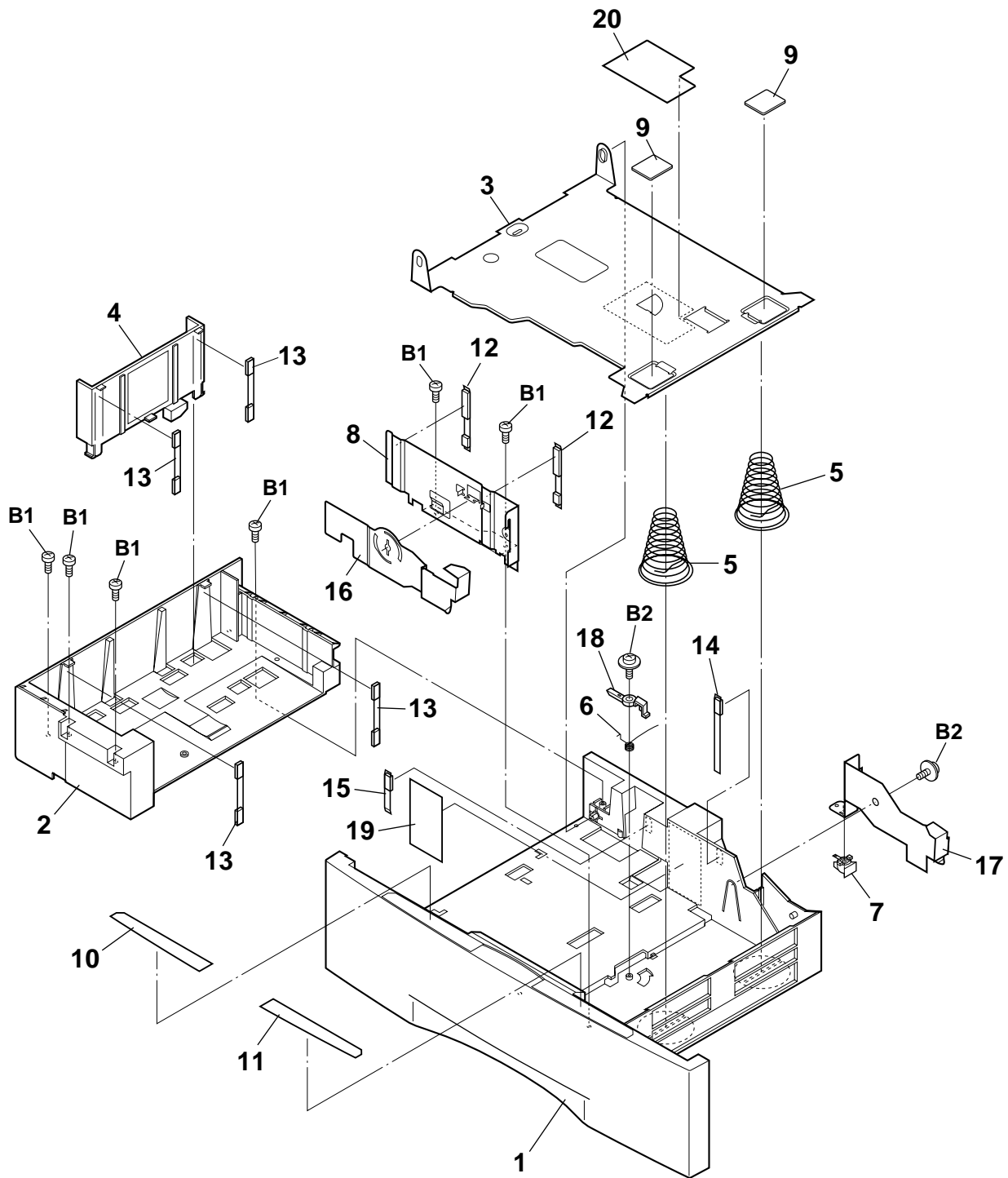
[10] Fusing unit



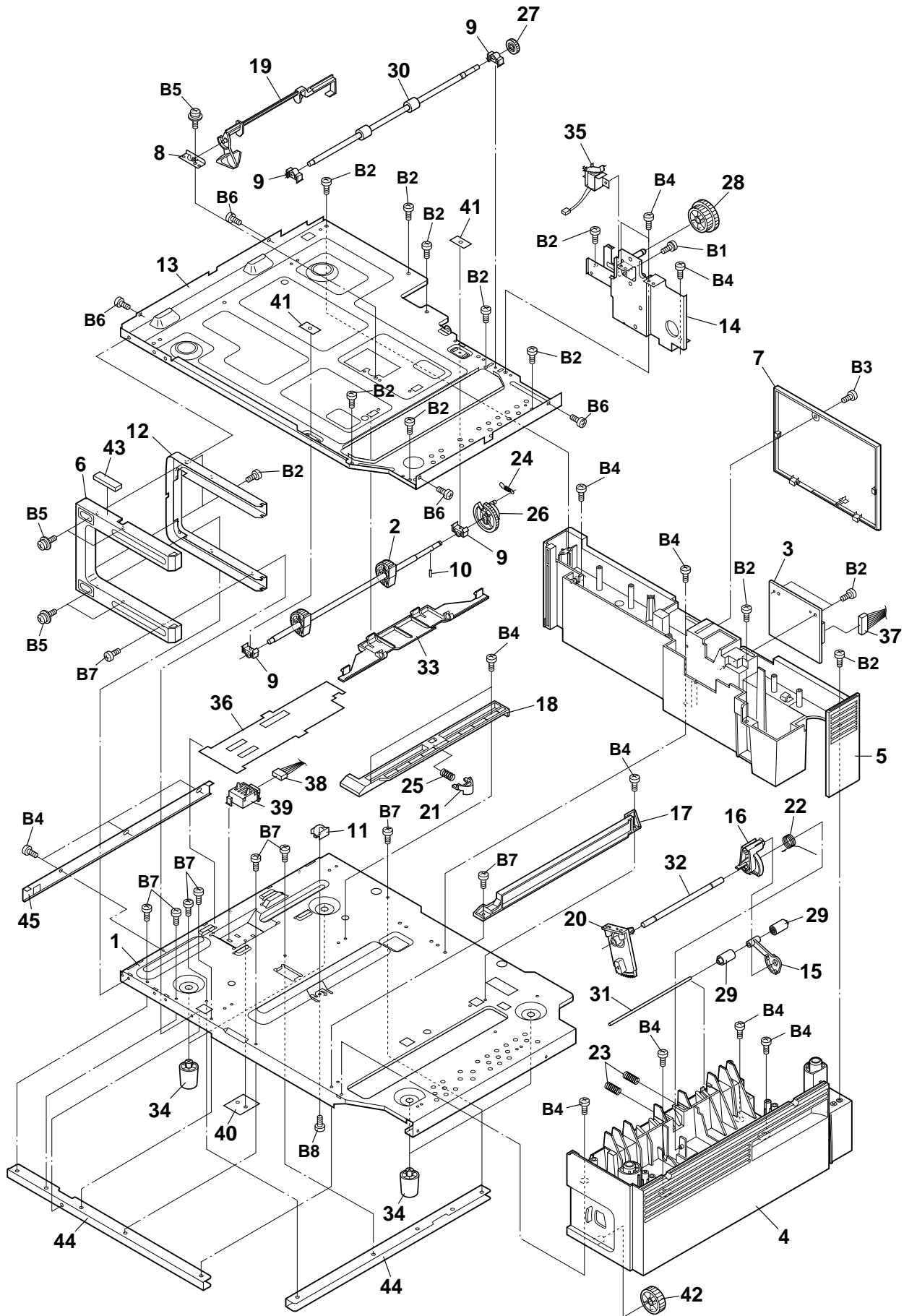
[11] Drive/Transfer section



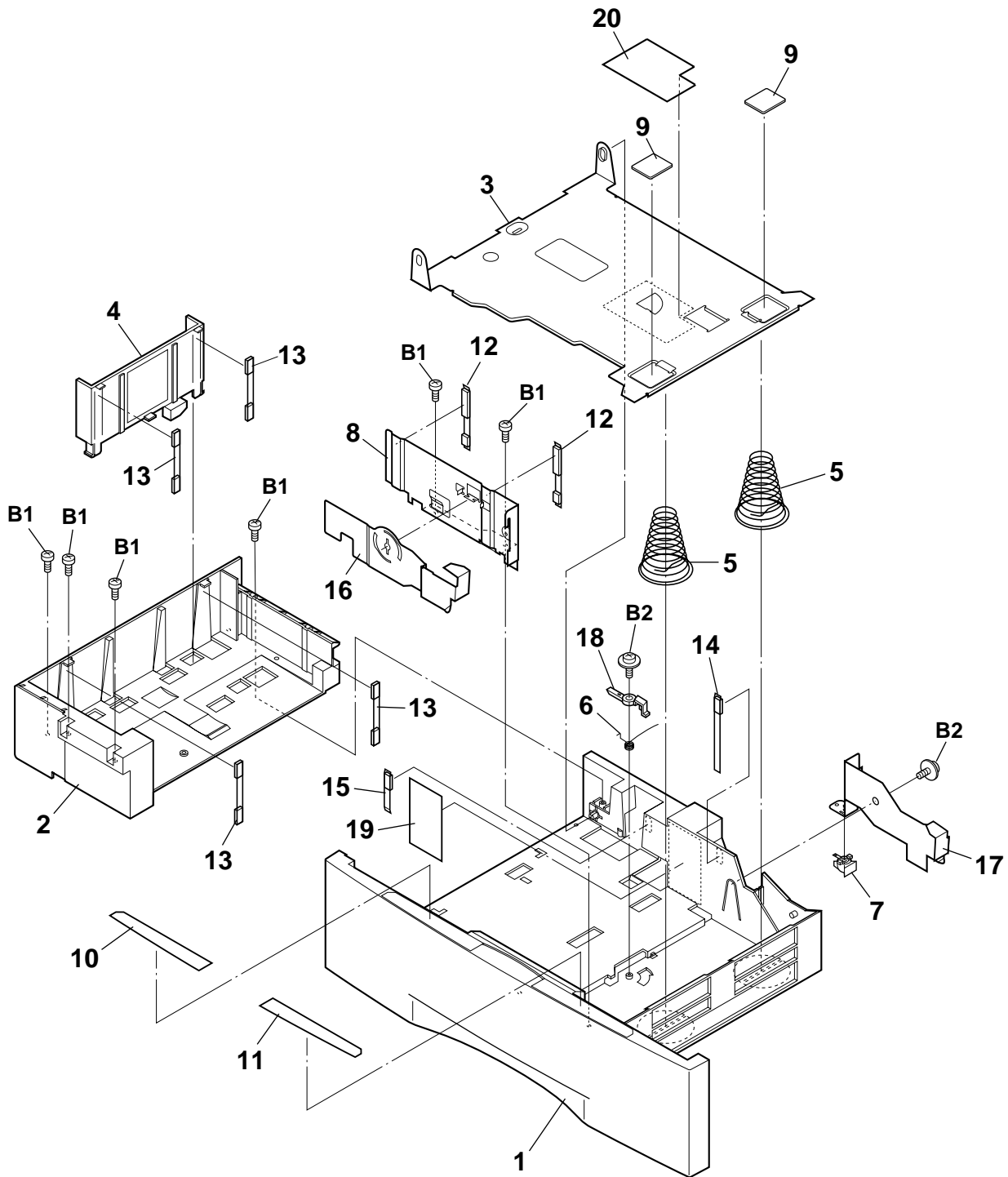
[12] 2nd. cassette (1)



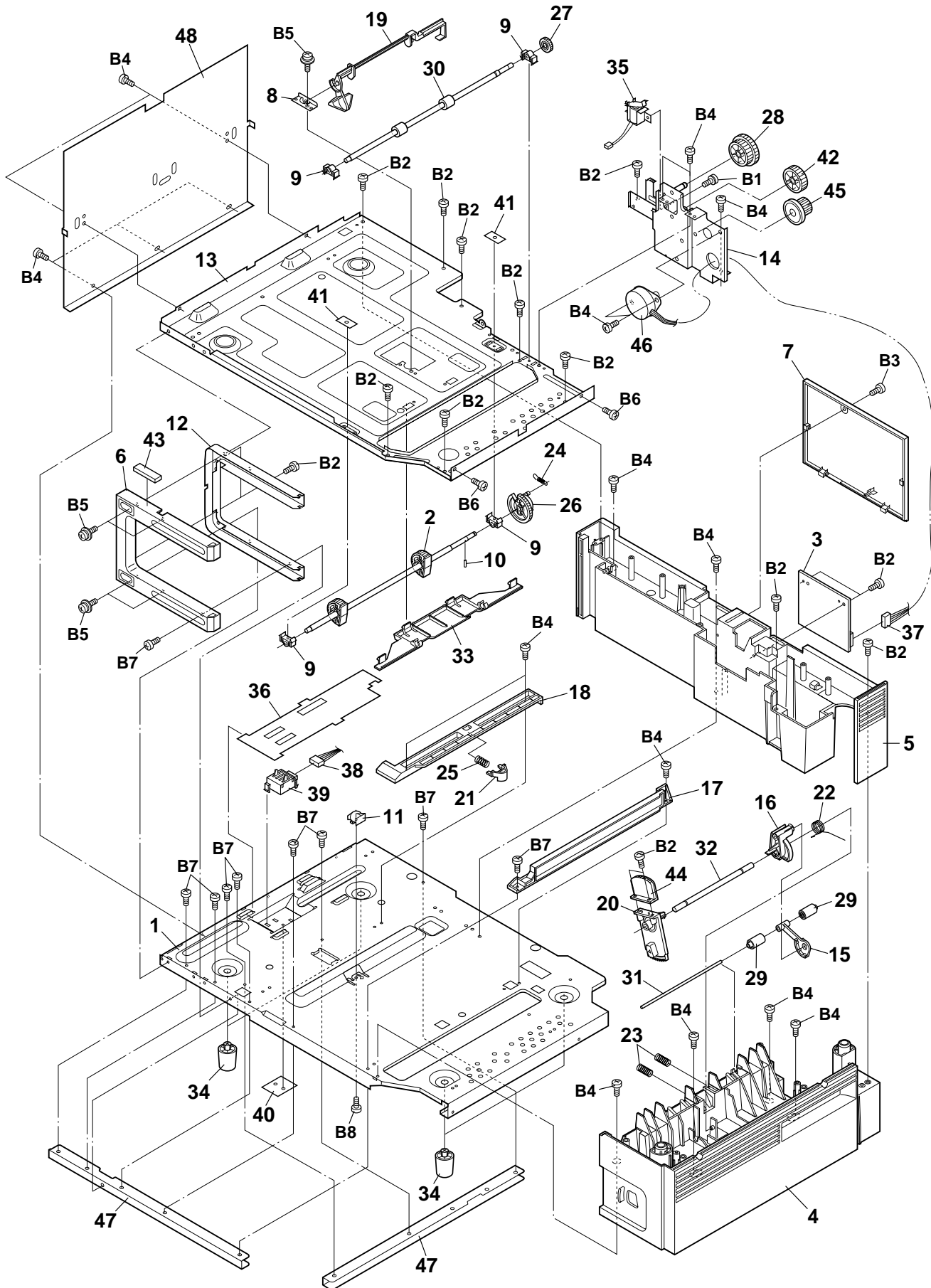
[13] 2nd. cassette (2)



[14] 3rd. cassette (1)



[15] 3rd. cassette (2)



NO.	PARTS CODE	PRICE RANK	NEW MARK	PART RANK	DESCRIPTION
[17] Control PWB unit					
1	UBATL2071XHZZ	AL		B	Battery [BT1]
2	VCEAGA1HW107M	AA		C	Capacitor(50WV 100μF) [C2]
3	VCEAGA1CW476M	AB		C	Capacitor(16WV 47μF) [C3]
4	VCEAGA1CW476M	AB		C	Capacitor(16WV 47μF) [C4]
5	VCEAGA1HW475M	AA		C	Capacitor(50WV 4.7μF) [C7]
6	VCEAGA1HW105M	AB		C	Capacitor(50WV 1μF) [C8]
7	VCEAGA1CW476M	AB		C	Capacitor(16WV 47μF) [C9]
8	VCEAEA1CW336M	AB		C	Capacitor(16WV 33μF) [C10]
9	VCEAEA1CW336M	AB		C	Capacitor(16WV 33μF) [C11]
10	VCEAEA1VW476M	AH		C	Capacitor(35WV 47μF) [C12]
11	VCEAEA1CW336M	AB		C	Capacitor(16WV 33μF) [C13]
12	VCEAGA1EW106M	AA		C	Capacitor(25WV 10μF) [C14]
13	VCEAGA1EW106M	AA		C	Capacitor(25WV 10μF) [C15]
14	VCEAGA1EW106M	AA		C	Capacitor(25WV 10μF) [C16]
15	VCEAGA1EW106M	AA		C	Capacitor(25WV 10μF) [C17]
16	VCEAGA1EW106M	AA		C	Capacitor(25WV 10μF) [C18]
17	VCEAGA1EW476M	AA		C	Capacitor(25WV 47μF) [C19]
18	VCEAGA1CW476M	AB		C	Capacitor(16WV 47μF) [C20]
19	VCKYTV1EF104Z	AA		C	Capacitor(25WV 0.1μF) [C100]
20	VCKYTV1EF104Z	AA		C	Capacitor(25WV 0.1μF) [C103]
21	VCKYTV1EF104Z	AA		C	Capacitor(25WV 0.1μF) [C104]
22	VCKYTV1CF105Z	AB		C	Capacitor(16WV 1μF) [C106]
23	VCKYTV1EF104Z	AA		C	Capacitor(25WV 0.1μF) [C107]
24	VCKYTV1HF104Z	AA		C	Capacitor(50WV 0.1μF) [C108]
25	VCKYTV1EF104Z	AA		C	Capacitor(25WV 0.1μF) [C109]
26	VCKYTV1EF104Z	AA		C	Capacitor(25WV 0.1μF) [C111]
27	VCKYTV1EF104Z	AA		C	Capacitor(25WV 0.1μF) [C112]
28	VCKYTV1HB222K	AA		C	Capacitor(50WV 2200PF) [C113]
29	VCKYTV1HB222K	AA		C	Capacitor(50WV 2200PF) [C114]
30	VCKYTV1EF104Z	AA		C	Capacitor(25WV 0.1μF) [C115]
31	VCKYTV1EF104Z	AA		C	Capacitor(25WV 0.1μF) [C116]
32	VCKYTV1EF104Z	AA		C	Capacitor(25WV 0.1μF) [C117]
33	VCCCTV1HH180J	AA		C	Capacitor(50WV 18PF) [C118]
34	VCKYTV1EF104Z	AA		C	Capacitor(25WV 0.1μF) [C119]
35	VCKYTV1EF104Z	AA		C	Capacitor(25WV 0.1μF) [C120]
36	VCKYTV1EF104Z	AA		C	Capacitor(25WV 0.1μF) [C121]
37	VCKYTV1EF104Z	AA		C	Capacitor(25WV 0.1μF) [C122]
38	VCKYTV1HF103Z	AA		C	Capacitor(50WV 0.01μF) [C123]
39	VCKYTV1EF104Z	AA		C	Capacitor(25WV 0.1μF) [C124]
40	VCKYTV1HF103Z	AA		C	Capacitor(50WV 0.01μF) [C125]
41	VCCCTV1HH7R0D	AC		C	Capacitor(50WV 7PF) [C126]
42	VCKYTV1EF104Z	AA		C	Capacitor(25WV 0.1μF) [C127]
43	VCCSTV1HL471J	AC		C	Capacitor(50WV 470PF) [C128]
44	VCCSTV1HL331J	AA		C	Capacitor(50WV 330PF) [C130]
45	VCCSTV1HL471J	AC		C	Capacitor(50WV 470PF) [C131]
46	VCCSTV1HL331J	AA		C	Capacitor(50WV 330PF) [C132]
47	VCKYTV1EF104Z	AA		C	Capacitor(25WV 0.1μF) [C133]
48	VCKYTV1EF104Z	AA		C	Capacitor(25WV 0.1μF) [C134]
49	VCKYTV1EF104Z	AA		C	Capacitor(25WV 0.1μF) [C135]
50	VCKYTV1EF104Z	AA		C	Capacitor(25WV 0.1μF) [C137]
51	VCKYTV1EF104Z	AA		C	Capacitor(25WV 0.1μF) [C138]
52	VCCCTV1HH120J	AA		C	Capacitor(50WV 12PF) [C139]
53	VCKYTV1EF104Z	AA		C	Capacitor(25WV 0.1μF) [C142]
54	VCKYTV1HB222K	AA		C	Capacitor(50WV 2200PF) [C143]
55	VCKYTV1HB222K	AA		C	Capacitor(50WV 2200PF) [C144]
56	VCKYTV1HB102K	AA		C	Capacitor(50WV 1000PF) [C146]
57	VCCSTV1HL331J	AA		C	Capacitor(50WV 330PF) [C147]
58	VCKYTV1EF104Z	AA		C	Capacitor(25WV 0.1μF) [C148]
59	VCKYTV1EF104Z	AA		C	Capacitor(25WV 0.1μF) [C149]
60	VRS-TS2AD000J	AA		C	Resistor(1/10W 0Ω ±5%) [C151]
61	VCKYTV1EF104Z	AA		C	Capacitor(25WV 0.1μF) [C153]
62	VCKYTV1HB222K	AA		C	Capacitor(50WV 2200PF) [C154]
63	VCKYTV1EF104Z	AA		C	Capacitor(25WV 0.1μF) [C155]
64	VCCCTV1HH7R0D	AC		C	Capacitor(50WV 7PF) [C156]
65	VCKYTV1HB222K	AA		C	Capacitor(50WV 2200PF) [C157]
66	VCKYTV1CF105Z	AB		C	Capacitor(16WV 1μF) [C158]
67	VCKYTV1CF105Z	AB		C	Capacitor(16WV 1μF) [C160]
68	VCCCTV1HH300J	AA		C	Capacitor(50WV 30PF) [C161]
69	VCCSTV1HL102J	AA		C	Capacitor(50WV 1000PF) [C162]
70	VCCCTV1HH101J	AA		C	Capacitor(50WV 100PF) [C163]
71	VCKYTV1EF104Z	AA		C	Capacitor(25WV 0.1μF) [C164]
72	VCKYTV1CF105Z	AB		C	Capacitor(16WV 1μF) [C166]
73	VCKYTV1EF104Z	AA		C	Capacitor(25WV 0.1μF) [C167]
74	VCKYTV1EF104Z	AA		C	Capacitor(25WV 0.1μF) [C168]
75	VCCCTV1HH300J	AA		C	Capacitor(50WV 30PF) [C169]
76	VCKYTV1EF104Z	AA		C	Capacitor(25WV 0.1μF) [C170]
77	VCKYTV1EF104Z	AA		C	Capacitor(25WV 0.1μF) [C171]
78	VCKYTV1EF104Z	AA		C	Capacitor(25WV 0.1μF) [C174]
79	VCKYTV1HB222K	AA		C	Capacitor(50WV 2200PF) [C177]
80	VCCCTV1HH120J	AA		C	Capacitor(50WV 12PF) [C178]

NO.	PARTS CODE	PRICE RANK	NEW MARK	PART RANK	DESCRIPTION	
[17] Control PWB unit						
81	VCKYTV1EF104Z	AA		C	Capacitor(25WV 0.1μF)	[C179]
82	VCKYTV1EF104Z	AA		C	Capacitor(25WV 0.1μF)	[C180]
83	VCKYTV1EF104Z	AA		C	Capacitor(25WV 0.1μF)	[C181]
84	VCKYTV1EF104Z	AA		C	Capacitor(25WV 0.1μF)	[C182]
85	VCKYTV1HB102K	AA		C	Capacitor(50WV 1000PF)	[C183]
86	VCKYTV1EF104Z	AA		C	Capacitor(25WV 0.1μF)	[C189]
87	VCKYTV1EF104Z	AA		C	Capacitor(25WV 0.1μF)	[C190]
88	VCKYTV1EF104Z	AA		C	Capacitor(25WV 0.1μF)	[C192]
89	VCKYTV1EF104Z	AA		C	Capacitor(25WV 0.1μF)	[C196]
90	VCKYTV1HB222K	AA		C	Capacitor(50WV 2200PF)	[C197]
91	VCKYTV1HB222K	AA		C	Capacitor(50WV 2200PF)	[C198]
92	VCKYTV1HB103K	AB		C	Capacitor(50WV 0.01μF)	[C200]
93	VCKYTV1EF104Z	AA		C	Capacitor(25WV 0.1μF)	[C202]
94	VCKYTV1HB222K	AA		C	Capacitor(50WV 2200PF)	[C203]
95	VCKYTV1EF104Z	AA		C	Capacitor(25WV 0.1μF)	[C205]
96	VCKYTV1EF104Z	AA		C	Capacitor(25WV 0.1μF)	[C206]
97	VCKYTV1EF104Z	AA		C	Capacitor(25WV 0.1μF)	[C207]
98	VCKYTV1EF104Z	AA		C	Capacitor(25WV 0.1μF)	[C208]
99	VCKYTV1EF104Z	AA		C	Capacitor(25WV 0.1μF)	[C211]
100	VCKYTV1EF104Z	AA		C	Capacitor(25WV 0.1μF)	[C212]
101	VCKYTV1EF104Z	AA		C	Capacitor(25WV 0.1μF)	[C221]
102	VCKYTV1EB104K	AA		C	Capacitor(25WV 0.1μF)	[C222]
103	VCKYTV1HB472K	AA		C	Capacitor(50WV 4700PF)	[C223]
104	VCKYTV1EF104Z	AA		C	Capacitor(25WV 0.1μF)	[C226]
105	VCKYTV1HB222K	AA		C	Capacitor(50WV 2200PF)	[C227]
106	VCKYTV1EF104Z	AA		C	Capacitor(25WV 0.1μF)	[C228]
107	VCKYTV1HB222K	AA		C	Capacitor(50WV 2200PF)	[C229]
108	VCKYTV1HB222K	AA		C	Capacitor(50WV 2200PF)	[C230]
109	VCKYTV1HB222K	AA		C	Capacitor(50WV 2200PF)	[C231]
110	VCKYTV1HB222K	AA		C	Capacitor(50WV 2200PF)	[C232]
111	VCKYTV1EF104Z	AA		C	Capacitor(25WV 0.1μF)	[C233]
112	VCKYTV1EF104Z	AA		C	Capacitor(25WV 0.1μF)	[C234]
113	VCCCTV1HH270J	AC		C	Capacitor(50WV 27PF)	[C235]
114	VCCCTV1HH200J	AA		C	Capacitor(50WV 20PF)	[C236]
115	VCKYTV1EF104Z	AA		C	Capacitor(25WV 0.1μF)	[C237]
116	VCKYTV1HB222K	AA		C	Capacitor(50WV 2200PF)	[C238]
117	VCKYTV1EF104Z	AA		C	Capacitor(25WV 0.1μF)	[C239]
118	VCKYTV1EF104Z	AA		C	Capacitor(25WV 0.1μF)	[C241]
119	VCCCTV1HH100D	AA		C	Capacitor(50WV 10PF)	[C242]
120	VCCCTV1HH100D	AA		C	Capacitor(50WV 10PF)	[C243]
121	VCKYTV1EF104Z	AA		C	Capacitor(25WV 0.1μF)	[C245]
122	VCKYTV1EF104Z	AA		C	Capacitor(25WV 0.1μF)	[C246]
123	VCKYTV1EF104Z	AA		C	Capacitor(25WV 0.1μF)	[C247]
124	VCKYTV1EF104Z	AA		C	Capacitor(25WV 0.1μF)	[C249]
125	VCKYTV1EF104Z	AA		C	Capacitor(25WV 0.1μF)	[C250]
126	VCKYTV1EF104Z	AA		C	Capacitor(25WV 0.1μF)	[C251]
127	VCKYTV1EF104Z	AA		C	Capacitor(25WV 0.1μF)	[C252]
128	VCCSTV1HL331J	AA		C	Capacitor(50WV 330PF)	[C269]
129	VCKYTV1EB104K	AA		C	Capacitor(25WV 0.1μF)	[C270]
130	VCKYTV1EF104Z	AA		C	Capacitor(25WV 0.1μF)	[C273]
131	VCKYTV1CF105Z	AB		C	Capacitor(16WV 1μF)	[C274]
132	VCKYTV1EF104Z	AA		C	Capacitor(25WV 0.1μF)	[C275]
133	VCKYTV1EF104Z	AA		C	Capacitor(25WV 0.1μF)	[C277]
134	VCCCTV1HH120J	AA		C	Capacitor(50WV 12PF)	[C278]
135	VCCCTV1HH180J	AA		C	Capacitor(50WV 18PF)	[C279]
136	VCKYTV1HF104Z	AA		C	Capacitor(50WV 0.1μF)	[C280]
137	VCKYTV1EF104Z	AA		C	Capacitor(25WV 0.1μF)	[C401]
138	VCKYTV1EF104Z	AA		C	Capacitor(25WV 0.1μF)	[C403]
139	VCKYTV1HB222K	AA		C	Capacitor(50WV 2200PF)	[C404]
140	VCKYTV1HB222K	AA		C	Capacitor(50WV 2200PF)	[C405]
141	VCKYTV1HB222K	AA		C	Capacitor(50WV 2200PF)	[C406]
142	VCKYTV1HB222K	AA		C	Capacitor(50WV 2200PF)	[C407]
143	VCKYTV1HB222K	AA		C	Capacitor(50WV 2200PF)	[C408]
144	VCKYTV1HB222K	AA		C	Capacitor(50WV 2200PF)	[C409]
145	VCKYTV1HB222K	AA		C	Capacitor(50WV 2200PF)	[C410]
146	VCKYTV1CF105Z	AB		C	Capacitor(16WV 1μF)	[C421]
147	VCKYTV1HB102K	AA		C	Capacitor(50WV 1000PF)	[C422]
148	VCKYTV1EF104Z	AA		C	Capacitor(25WV 0.1μF)	[C426]
149	VCCCTV1HH101J	AA		C	Capacitor(50WV 100PF)	[C428]
150	VCKYTV1HB222K	AA		C	Capacitor(50WV 2200PF)	[C500]
151	VCKYTV1HB222K	AA		C	Capacitor(50WV 2200PF)	[C501]
152	VCKYTV1HB103K	AB		C	Capacitor(50WV 0.01μF)	[C502]
153	VCCCTV1HH100D	AA		C	Capacitor(50WV 10PF)	[C503]
154	VCCCTV1HH3R0C	AA	N	C	Capacitor(50WV 3PF)	[C504]
155	VCKYTV1EF104Z	AA		C	Capacitor(25WV 0.1μF)	[C505]
156	VCKYTV1EB104K	AA		C	Capacitor(25WV 0.1μF)	[C506]
157	VCKYTV1EB104K	AA		C	Capacitor(25WV 0.1μF)	[C507]
158	VCKYTV1EB104K	AA		C	Capacitor(25WV 0.1μF)	[C508]
159	VCKYTV1EB104K	AA		C	Capacitor(25WV 0.1μF)	[C509]
160	VCCSTV1HL181J	AD		C	Capacitor(50WV 180PF)	[C510]

NO.	PARTS CODE	PRICE RANK	NEW MARK	PART RANK	DESCRIPTION	
[17] Control PWB unit						
161	VCKYTV1EB104K	AA		C	Capacitor(25WV 0.1μF)	[C511]
162	VCKYTV1EF104Z	AA		C	Capacitor(25WV 0.1μF)	[C512]
163	VCKYTV1CF225Z	AD		C	Capacitor(16WV 2.2μF)	[C513]
164	VCKYTV1EF104Z	AA		C	Capacitor(25WV 0.1μF)	[C514]
165	VCKYTV1EF104Z	AA		C	Capacitor(25WV 0.1μF)	[C515]
166	VCKYTV1EF104Z	AA		C	Capacitor(25WV 0.1μF)	[C516]
167	VCKYTV1CF105Z	AB		C	Capacitor(16WV 1μF)	[C517]
168	VCKYTV1EF104Z	AA		C	Capacitor(25WV 0.1μF)	[C518]
169	VCKYTV1EF104Z	AA		C	Capacitor(25WV 0.1μF)	[C519]
170	VCKYTV1EF104Z	AA		C	Capacitor(25WV 0.1μF)	[C520]
171	VCKYTV1HF104Z	AA		C	Capacitor(50WV 0.1μF)	[C521]
172	VCKYTV1EF104Z	AA		C	Capacitor(25WV 0.1μF)	[C522]
173	VCKYTV1EF104Z	AA		C	Capacitor(25WV 0.1μF)	[C523]
174	VCKYTV1EF104Z	AA		C	Capacitor(25WV 0.1μF)	[C524]
175	VCKYTV1HB331K	AA	N	C	Capacitor(50WV 330PF)	[C525]
176	VCKYTV1HB221K	AA		C	Capacitor(50WV 220PF)	[C526]
177	VCCCTV1HH101J	AA		C	Capacitor(50WV 100PF)	[C527]
178	VCKYTV1HB102K	AA		C	Capacitor(50WV 1000PF)	[C528]
179	VCKYTV1EF104Z	AA		C	Capacitor(25WV 0.1μF)	[C529]
180	VCKYTV1EB104K	AA		C	Capacitor(25WV 0.1μF)	[C530]
181	VCKYTV1CF225Z	AD		C	Capacitor(16WV 2.2μF)	[C532]
182	VCCCTV1HH470J	AA		C	Capacitor(50WV 47PF)	[C533]
183	VCCCTV1HH470J	AA		C	Capacitor(50WV 47PF)	[C534]
184	QCNCM7014SC1J	AC		C	Connector(10pin)	[CNCIS]
185	QCNCM2499SC0I	AE		C	Connector(9pin)	[CNLIU]
186	QCNCM2589SC5J	AL		C	Connector(50pin)	[CNOP]
187	QCNCM2525SC4J	AK		C	Connector(40pin)	[CNP CIF]
188	QCNCM2482SC2D	AB		C	Connector(24pin)	[CNPN]
189	QCNCM2525SC3J	AH		C	Connector(30pin)	[CNPRT]
190	QCNCM7014SC1B	AD		C	Connector(12pin)	[CNPW]
191	QCNCM7014SC0H	AB		C	Connector(8pin)	[CNSEN]
192	QCNCM2401SC0B	AA		C	Connector(2pin)	[CNSP]
193	QCNCM7014SC0B	AD		C	Connector(2pin)	[CNSTP]
194	QCNCM7014SC0D	AB		C	Connector(4pin)	[CNTXM]
195	VHDSR104///-1	AF		B	Diode(SR104)	[D1]
196	VHDSR104///-1	AF		B	Diode(SR104)	[D2]
197	VHDSR104///-1	AF		B	Diode(SR104)	[D3]
198	VHDSR104///-1	AF		B	Diode(SR104)	[D4]
199	VHDDAP202U/-1	AB		B	Diode(DAP202U)	[D5]
200	VHDDA204K//1	AC		B	Diode(DA204K)	[D100]
201	VHD1SS355//1	AB		B	Diode(1SS355)	[D101]
202	VHDHRW0502A-1	AD		B	Diode(HRW0502A)	[D102]
203	VHDHRW0502A-1	AD		B	Diode(HRW0502A)	[D103]
204	VHDHRW0502A-1	AD		B	Diode(HRW0502A)	[D104]
205	VHDHRW0502A-1	AD		B	Diode(HRW0502A)	[D105]
206	VHDHRW0502A-1	AD		B	Diode(HRW0502A)	[D106]
207	VHDHRW0502A-1	AD		B	Diode(HRW0502A)	[D107]
208	VHDHRW0502A-1	AD		B	Diode(HRW0502A)	[D108]
209	VHDHRW0502A-1	AD		B	Diode(HRW0502A)	[D109]
210	VHDHRW0502A-1	AD		B	Diode(HRW0502A)	[D112]
211	VHDHRW0502A-1	AD		B	Diode(HRW0502A)	[D115]
212	VHDDA204K//1	AC		B	Diode(DA204K)	[D120]
213	VHDHRW0502A-1	AD		B	Diode(HRW0502A)	[D121]
214	VHDHRW0502A-1	AD		B	Diode(HRW0502A)	[D122]
215	VHDHRW0502A-1	AD		B	Diode(HRW0502A)	[D123]
216	VHDHRW0502A-1	AD		B	Diode(HRW0502A)	[D124]
217	VHDHRW0502A-1	AD		B	Diode(HRW0502A)	[D125]
218	VHDHRW0502A-1	AD		B	Diode(HRW0502A)	[D126]
219	VHDHRW0502A-1	AD		B	Diode(HRW0502A)	[D127]
220	VHDHRW0502A-1	AD		B	Diode(HRW0502A)	[D128]
221	VHDHRW0502A-1	AD		B	Diode(HRW0502A)	[D133]
222	VHDHRW0502A-1	AD		B	Diode(HRW0502A)	[D139]
223	VHDHRW0502A-1	AD		B	Diode(HRW0502A)	[D140]
224	VHD1SS355//1	AB		B	Diode(1SS355)	[D141]
225	VHDHRW0502A-1	AD		B	Diode(HRW0502A)	[D142]
226	VHDHRW0502A-1	AD		B	Diode(HRW0502A)	[D145]
227	VHD1SS355//1	AB		B	Diode(1SS355)	[D500]
228	VHD1SS355//1	AB		B	Diode(1SS355)	[D501]
229	VHVICPS10//1	AG		B	Chip fuse(ICP-S1.0)	[F100]
230	VHVICPS18//1	AE		B	Chip fuse(ICP-S1.8)	[F101]
231	VHIBU4066BCF1	AD		B	IC,ANALOG SW(BU4066)	[IC1]
232	VHINJM2904M-1	AE		B	IC,DUAL OPE AMP.(NJM2904M)	[IC2]
233	VHILH5116NA10	AL		B	IC,16Kbit SRAM(LH5116NA-10)	[IC3]
234	QSOCZ2066SC42	AP		C	IC Socket(42pin)	[IC4]
235	VHI27160FBN0A	BQ	N	B	IC,16Mbit EPROM(16MB)	[IC4][U]
	VHI27160FBP0A	BQ	N	B	IC,16Mbit EPROM(16MB)	[IC4][C]
236	VHIHD74HC04FM	AC		B	IC,HEX INVERTER(74HC04)	[IC5]
237	VHILC82103/-1	BA		B	IC,IMAGE SIGNAL PROCESSOR(LC82103)	[IC6]
238	VHILB1845//1	AY		B	IC,Motor Driver(LB1845)	[IC7]
239	VHIHD74HC157F	AH		B	IC,QUAD2-TO-10ATASELECTORS(74HC157)	[IC8]

NO.	PARTS CODE	PRICE RANK	NEW MARK	PART RANK	DESCRIPTION	
[17] Control PWB unit						
240	VH1M16E//J-6	AZ		B	IC,16Mbit DRAM(HY5118164)	[IC9]
241	VHILR38292/-1	AY		B	IC, Gate Array(B)(LR38292)	[IC10]
242	VHIBA10393F-1	AC		B	IC,COMPARATOR(BA10393F)	[IC11]
243	VHIHD813201F1	BE		B	IC,IDP201(CODEC)(HD813201F)	[IC12]
244	VHIHD74HC32FM	AC		B	IC,QUADRUPLE 2-INPUT OR GATE(74HC32)	[IC13]
245	VHI74VHC04F-1	AE		B	IC,HEX INVERTER(74VHC04)	[IC14]
246	VHIHD74LV08T1	AE		B	IC,QUADRUPLE 2-INPUT AND GATE(74LV08A)	[IC15]
247	VH1M16E//J-6	AZ		B	IC,16Mbit DRAM(HY5118164)	[IC16]
248	VHILZ9FJ59/-1	AX		B	IC, Gate Array(A)(LZ9FJ59)	[IC17]
249	VHIHD74LS374F	AF		B	IC,OCTAL D-TYPE FLIP-FLOPS(HD74LS374)	[IC18]
250	VHIHD74HC74FM	AD		B	IC,DUAL D-TYPE FLIP-FLOPS(74HC74)	[IC19]
251	VHIHD74LS244F	AF		B	IC,OCTAL BUFFERS(HD74LS244)	[IC20]
252	VHIW24010S7LE	AZ		B	IC,1Mbit SRAM(W24010S-70L)	[IC21]
253	VHIHD74HC14FM	AF		B	IC,SCHMITT-TRIGER INVERTER(74HC14)	[IC22]
254	VHIM65761FP-1	BD	N	B	IC,JBIG(M65761FP)	[IC23]
255	VHIHCF4053M1T	AG		B	IC,2ch. ANALOG MULTIPLEXER(HCF4053)	[IC25]
256	VHIHD74HC08FM	AF		B	IC,QUADRUPLE 2-INPUT AND GATE(74HC08)	[IC26]
257	VHIHD7021606A	BE		B	IC,CPU SH-1(MASK)(SH7021)	[IC27]
258	VHIHD74HC08FM	AF		B	IC,QUADRUPLE 2-INPUT AND GATE(74HC08)	[IC28]
259	VHISM8578BV-1	AK		B	IC,Real Time clock(SM8578BV)	[IC30]
260	VHINJM2113M-1	AG		B	IC,SPEAKER AMP.(NJM2113M)	[IC33]
261	VHIHD74HC14FM	AF		B	IC,SCHMITT-TRIGER INVERTER(74HC14)	[IC34]
262	VHI74VHC393FT	AK		B	IC,DUAL D-TYPE FLIP-FLOPS(74VHC393)	[IC35]
263	VHIW24010S7LE	AZ		B	IC,1Mbit SRAM(W24010S-70L)	[IC36]
264	VHIPST596CMT1	AF		B	IC,SYSTEM RESET(PST596)	[IC37]
265	VHIR288F26/-1	BV	N	B	IC,33600bps FAX MODEM(R288F)	[IC41]
266	VHITC7S04FU-1	AD		B	IC,INVERTER(TC7S04FU)	[IC42]
267	VHINJM2902M-1	AF		B	IC,QUADRUPLE OPE AMP.(NJM2902M)	[IC43]
268	VHINJM2904M-1	AE		B	IC,DUAL OPE AMP.(NJM2904M)	[IC44]
269	VHINJM78M12-1	AG	N	B	IC,REGULATOR(NJM78M12)	[IC45]
270	VHITC7S00FU-1	AE		B	IC,NAND GATE(TC7S00FU)	[IC46]
271	VHIAD8051//1	AN		B	IC,OPE AMP.(AD8051)	[IC100]
272	VHITC74HC04F	AE		B	IC,INVERTER(74HC04)	[IC101]
273	VHIN78L05UA-1	AK		B	IC,REGULATOR(NJM78L05UA)	[IC500]
274	VRS-TS2AD000J	AA		C	Resistor(1/10W 0Ω ±5%)	[L100]
275	VRS-TS2AD000J	AA		C	Resistor(1/10W 0Ω ±5%)	[L101]
276	VRS-TS2AD100J	AA		C	Resistor(1/10W 10Ω ±5%)	[L103]
277	VRS-TS2AD000J	AA		C	Resistor(1/10W 0Ω ±5%)	[L104]
278	VP-1M1R0J0000	AC	N	C	Coil(1μH)	[L500]
279	VRS-TS2AD000J	AA		C	Resistor(1/10W 0Ω ±5%)	[L501]
280	VRS-TS2AD000J	AA		C	Resistor(1/10W 0Ω ±5%)	[L502]
281	VS2SD1164//1	AE		B	Transistor(2SD1164)	[Q1]
282	VS2SD1664Q/-1	AD		B	Transistor(2SD1664Q)	[Q100]
283	VS2SA1037KR-1	AB		B	Transistor(2SA1037K)	[Q101]
284	VSDTC114EK/-1	AB		B	Transistor(DTC114EK)	[Q102]
285	VSDTC114EK/-1	AB		B	Transistor(DTC114EK)	[Q103]
286	VSDTC114EK/-1	AB		B	Transistor(DTC114EK)	[Q104]
287	VSDTC114EK/-1	AB		B	Transistor(DTC114EK)	[Q105]
288	VSDTA114EK/-1	AB		B	Transistor(DTA114EK)	[Q106]
289	VSDTA114EK/-1	AB		B	Transistor(DTA114EK)	[Q107]
290	VSDTC114EK/-1	AB		B	Transistor(DTC114EK)	[Q500]
291	VSDTC114EK/-1	AB		B	Transistor(DTC114EK)	[Q501]
292	VSDTC114EK/-1	AB		B	Transistor(DTC114EK)	[Q502]
293	VRS-HT3AAR47J	AC		C	Resistor(1W 0.47Ω ±5%)	[R1]
294	VRS-HT3AAR47J	AC		C	Resistor(1W 0.47Ω ±5%)	[R2]
295	VRD-HT2HY910J	AA		C	Resistor(1/2W 91Ω ±5%)	[R4]
296	VRD-HT2HY910J	AA		C	Resistor(1/2W 91Ω ±5%)	[R5]
297	VRD-HT2EY000J	AA		C	Resistor(1/4W 0Ω ±5%)	[R6]
298	VRS-TS2AD103J	AA		C	Resistor(1/10W 10KΩ ±5%)	[R101]
299	VRS-TS2AD000J	AA		C	Resistor(1/10W 0Ω ±5%)	[R102]
300	VRS-TS2AD000J	AA		C	Resistor(1/10W 0Ω ±5%)	[R103]
301	VRS-TP2BD222J	AA		C	Resistor(1/8W 2.2KΩ ±5%)	[R104]
302	VRS-TS2AD000J	AA		C	Resistor(1/10W 0Ω ±5%)	[R105]
303	VRS-TS2AD271J	AA		C	Resistor(1/10W 270Ω ±5%)	[R106]
304	VRS-TS2AD330J	AA		C	Resistor(1/10W 33Ω ±5%)	[R107]
305	VRS-TS2AD103J	AA		C	Resistor(1/10W 10KΩ ±5%)	[R108]
306	VRS-TS2AD103J	AA		C	Resistor(1/10W 10KΩ ±5%)	[R110]
307	VRS-TS2AD101J	AA		C	Resistor(1/10W 100Ω ±5%)	[R112]
308	VRS-TS2AD101J	AA		C	Resistor(1/10W 100Ω ±5%)	[R113]
309	VRS-TS2AD105J	AA		C	Resistor(1/10W 1.0MΩ ±5%)	[R114]
310	VRS-TS2AD100J	AA		C	Resistor(1/10W 10Ω ±5%)	[R115]
311	VRS-TS2AD100J	AA		C	Resistor(1/10W 10Ω ±5%)	[R116]
312	VRS-TS2AD103J	AA		C	Resistor(1/10W 10KΩ ±5%)	[R118]
313	VRS-TS2AD271J	AA		C	Resistor(1/10W 270Ω ±5%)	[R119]
314	VRS-TS2AD332J	AA		C	Resistor(1/10W 3.3KΩ ±5%)	[R120]
315	VRS-TS2AD271J	AA		C	Resistor(1/10W 270Ω ±5%)	[R121]
316	VRS-TS2AD103J	AA		C	Resistor(1/10W 10KΩ ±5%)	[R122]
317	VRS-TS2AD562J	AA		C	Resistor(1/10W 5.6KΩ ±5%)	[R123]
318	VRS-TS2AD000J	AA		C	Resistor(1/10W 0Ω ±5%)	[R124]
319	VRS-TS2AD182J	AA		C	Resistor(1/10W 1.8KΩ ±5%)	[R125]

NO.	PARTS CODE	PRICE RANK	NEW MARK	PART RANK	DESCRIPTION	
[17] Control PWB unit						
320	VRS-TS2AD302J	AA		C	Resistor(1/10W 3K Ω \pm 5%)	[R126]
321	VRS-TS2AD000J	AA		C	Resistor(1/10W 0 Ω \pm 5%)	[R128]
322	VRS-TS2AD000J	AA		C	Resistor(1/10W 0 Ω \pm 5%)	[R129]
323	VRS-TS2AD000J	AA		C	Resistor(1/10W 0 Ω \pm 5%)	[R131]
324	VRS-TS2AD000J	AA		C	Resistor(1/10W 0 Ω \pm 5%)	[R133]
325	VRS-TS2AD000J	AA		C	Resistor(1/10W 0 Ω \pm 5%)	[R134]
326	VRS-TS2AD102J	AA		C	Resistor(1/10W 1K Ω \pm 5%)	[R136]
327	VRS-TS2AD000J	AA		C	Resistor(1/10W 0 Ω \pm 5%)	[R137]
328	VRS-TS2AD105J	AA		C	Resistor(1/10W 1.0M Ω \pm 5%)	[R138]
329	VRS-TS2AD000J	AA		C	Resistor(1/10W 0 Ω \pm 5%)	[R139]
330	VRS-TS2AD000J	AA		C	Resistor(1/10W 0 Ω \pm 5%)	[R140]
331	VRS-TS2AD000J	AA		C	Resistor(1/10W 0 Ω \pm 5%)	[R141]
332	VRS-TS2AD223F	AA		C	Resistor(1/10W 22K Ω \pm 1%)	[R142]
333	VRS-TS2AD563F	AA		C	Resistor(1/10W 56K Ω \pm 1%)	[R143]
334	VRS-TS2AD333F	AB		C	Resistor(1/10W 33K Ω \pm 1%)	[R144]
335	VRS-TS2AD393F	AA		C	Resistor(1/10W 39K Ω \pm 1%)	[R145]
336	VRS-TS2AD102J	AA		C	Resistor(1/10W 1K Ω \pm 5%)	[R146]
337	VRS-TS2AD472J	AA		C	Resistor(1/10W 4.7K Ω \pm 5%)	[R147]
338	VRS-TS2AD563F	AA		C	Resistor(1/10W 56K Ω \pm 1%)	[R148]
339	VRS-TS2AD102J	AA		C	Resistor(1/10W 1K Ω \pm 5%)	[R149]
340	VRS-TS2AD330J	AA		C	Resistor(1/10W 33 Ω \pm 5%)	[R158]
341	VRS-TS2AD330J	AA		C	Resistor(1/10W 33 Ω \pm 5%)	[R159]
342	VRS-TS2AD332J	AA		C	Resistor(1/10W 3.3K Ω \pm 5%)	[R160]
343	VRS-TS2AD102J	AA		C	Resistor(1/10W 1K Ω \pm 5%)	[R161]
344	VRS-TS2AD271J	AA		C	Resistor(1/10W 270 Ω \pm 5%)	[R162]
345	VRS-TS2AD271J	AA		C	Resistor(1/10W 270 Ω \pm 5%)	[R163]
346	VRS-TS2AD271J	AA		C	Resistor(1/10W 270 Ω \pm 5%)	[R164]
347	VRS-TS2AD271J	AA		C	Resistor(1/10W 270 Ω \pm 5%)	[R165]
348	VRS-TS2AD271J	AA		C	Resistor(1/10W 270 Ω \pm 5%)	[R167]
349	VRS-TS2AD271J	AA		C	Resistor(1/10W 270 Ω \pm 5%)	[R168]
350	VRS-TS2AD271J	AA		C	Resistor(1/10W 270 Ω \pm 5%)	[R169]
351	VRS-TS2AD271J	AA		C	Resistor(1/10W 270 Ω \pm 5%)	[R170]
352	VRS-TS2AD302J	AA		C	Resistor(1/10W 3K Ω \pm 5%)	[R171]
353	VRS-TS2AD000J	AA		C	Resistor(1/10W 0 Ω \pm 5%)	[R172]
354	VRS-TS2AD271J	AA		C	Resistor(1/10W 270 Ω \pm 5%)	[R173]
355	VRS-TS2AD000J	AA		C	Resistor(1/10W 0 Ω \pm 5%)	[R175]
356	VRS-TS2AD271J	AA		C	Resistor(1/10W 270 Ω \pm 5%)	[R176]
357	VRS-TS2AD271J	AA		C	Resistor(1/10W 270 Ω \pm 5%)	[R177]
358	VRS-TS2AD103J	AA		C	Resistor(1/10W 10K Ω \pm 5%)	[R178]
359	VRS-TS2AD562J	AA		C	Resistor(1/10W 5.6K Ω \pm 5%)	[R179]
360	VRS-TS2AD103J	AA		C	Resistor(1/10W 10K Ω \pm 5%)	[R181]
361	VRS-TS2AD271J	AA		C	Resistor(1/10W 270 Ω \pm 5%)	[R182]
362	VRS-TS2AD103J	AA		C	Resistor(1/10W 10K Ω \pm 5%)	[R183]
363	VRS-TS2AD472J	AA		C	Resistor(1/10W 4.7K Ω \pm 5%)	[R184]
364	VRS-TS2AD103J	AA		C	Resistor(1/10W 10K Ω \pm 5%)	[R185]
365	VRS-TS2AD103J	AA		C	Resistor(1/10W 10K Ω \pm 5%)	[R186]
366	VRS-TS2AD103J	AA		C	Resistor(1/10W 10K Ω \pm 5%)	[R188]
367	VRS-TS2AD472J	AA		C	Resistor(1/10W 4.7K Ω \pm 5%)	[R189]
368	VRS-TS2AD101J	AA		C	Resistor(1/10W 100 Ω \pm 5%)	[R190]
369	VRS-TS2AD101J	AA		C	Resistor(1/10W 100 Ω \pm 5%)	[R191]
370	VRS-TS2AD000J	AA		C	Resistor(1/10W 0 Ω \pm 5%)	[R192]
371	VRS-TS2AD000J	AA		C	Resistor(1/10W 0 Ω \pm 5%)	[R193]
372	VRS-TS2AD000J	AA		C	Resistor(1/10W 0 Ω \pm 5%)	[R194]
373	VRS-TS2AD000J	AA		C	Resistor(1/10W 0 Ω \pm 5%)	[R195]
374	VRS-TS2AD000J	AA		C	Resistor(1/10W 0 Ω \pm 5%)	[R196]
375	VRS-TS2AD472J	AA		C	Resistor(1/10W 4.7K Ω \pm 5%)	[R197]
376	VRS-TS2AD472J	AA		C	Resistor(1/10W 4.7K Ω \pm 5%)	[R198]
377	VRS-TS2AD000J	AA		C	Resistor(1/10W 0 Ω \pm 5%)	[R199]
378	VRS-TS2AD331J	AA		C	Resistor(1/10W 330 Ω \pm 5%)	[R200]
379	VRS-TS2AD000J	AA		C	Resistor(1/10W 0 Ω \pm 5%)	[R201]
380	VRS-TS2AD103J	AA		C	Resistor(1/10W 10K Ω \pm 5%)	[R202]
381	VRS-TS2AD472J	AA		C	Resistor(1/10W 4.7K Ω \pm 5%)	[R203]
382	VRS-TS2AD331J	AA		C	Resistor(1/10W 330 Ω \pm 5%)	[R204]
383	VRS-TS2AD330J	AA		C	Resistor(1/10W 33 Ω \pm 5%)	[R205]
384	VRS-TS2AD472J	AA		C	Resistor(1/10W 4.7K Ω \pm 5%)	[R206]
385	VRS-TS2AD472J	AA		C	Resistor(1/10W 4.7K Ω \pm 5%)	[R207]
386	VRS-TS2AD472J	AA		C	Resistor(1/10W 4.7K Ω \pm 5%)	[R208]
387	VRS-TS2AD101J	AA		C	Resistor(1/10W 100 Ω \pm 5%)	[R209]
388	VRS-TS2AD271J	AA		C	Resistor(1/10W 270 Ω \pm 5%)	[R210]
389	VRS-TS2AD332J	AA		C	Resistor(1/10W 3.3K Ω \pm 5%)	[R211]
390	VRS-TS2AD332J	AA		C	Resistor(1/10W 3.3K Ω \pm 5%)	[R212]
391	VRS-TS2AD332J	AA		C	Resistor(1/10W 3.3K Ω \pm 5%)	[R213]
392	VRS-TS2AD105J	AA		C	Resistor(1/10W 1.0M Ω \pm 5%)	[R214]
393	VRS-TS2AD561J	AA		C	Resistor(1/10W 560 Ω \pm 5%)	[R215]
394	VRS-TS2AD271J	AA		C	Resistor(1/10W 270 Ω \pm 5%)	[R216]
395	VRS-TS2AD271J	AA		C	Resistor(1/10W 270 Ω \pm 5%)	[R217]
396	VRS-TS2AD151J	AA		C	Resistor(1/10W 150 Ω \pm 5%)	[R218]
397	VRS-TS2AD151J	AA		C	Resistor(1/10W 150 Ω \pm 5%)	[R219]
398	VRS-TS2AD151J	AA		C	Resistor(1/10W 150 Ω \pm 5%)	[R220]
399	VRS-TS2AD103J	AA		C	Resistor(1/10W 10K Ω \pm 5%)	[R222]

NO.	PARTS CODE	PRICE RANK	NEW MARK	PART RANK	DESCRIPTION	
[17] Control PWB unit						
400	VRS-TS2AD000J	AA		C	Resistor(1/10W 0Ω ±5%)	[R223]
401	VRS-TS2AD271J	AA		C	Resistor(1/10W 270Ω ±5%)	[R224]
402	VRS-TS2AD271J	AA		C	Resistor(1/10W 270Ω ±5%)	[R225]
403	VRS-TS2AD000J	AA		C	Resistor(1/10W 0Ω ±5%)	[R226]
404	VRS-TS2AD000J	AA		C	Resistor(1/10W 0Ω ±5%)	[R227]
405	VRS-TS2AD000J	AA		C	Resistor(1/10W 0Ω ±5%)	[R228]
406	VRS-TS2AD000J	AA		C	Resistor(1/10W 0Ω ±5%)	[R229]
407	VRS-TS2AD000J	AA		C	Resistor(1/10W 0Ω ±5%)	[R230]
408	VRS-TS2AD103J	AA		C	Resistor(1/10W 10KΩ ±5%)	[R233]
409	VRS-TS2AD000J	AA		C	Resistor(1/10W 0Ω ±5%)	[R234]
410	VRS-TS2AD103J	AA		C	Resistor(1/10W 10KΩ ±5%)	[R235]
411	VRS-TS2AD000J	AA		C	Resistor(1/10W 0Ω ±5%)	[R236]
412	VRS-TS2AD000J	AA		C	Resistor(1/10W 0Ω ±5%)	[R237]
413	VRS-TS2AD000J	AA		C	Resistor(1/10W 0Ω ±5%)	[R238]
414	VRS-TS2AD103J	AA		C	Resistor(1/10W 10KΩ ±5%)	[R239]
415	VRS-TS2AD103J	AA		C	Resistor(1/10W 10KΩ ±5%)	[R240]
416	VRS-TS2AD000J	AA		C	Resistor(1/10W 0Ω ±5%)	[R241]
417	VRS-TS2AD000J	AA		C	Resistor(1/10W 0Ω ±5%)	[R242]
418	VRS-TS2AD000J	AA		C	Resistor(1/10W 0Ω ±5%)	[R243]
419	VRS-TS2AD472J	AA		C	Resistor(1/10W 4.7KΩ ±5%)	[R244]
420	VRS-TS2AD000J	AA		C	Resistor(1/10W 0Ω ±5%)	[R245]
421	VRS-TS2AD103J	AA		C	Resistor(1/10W 10KΩ ±5%)	[R246]
422	VRS-TS2AD103J	AA		C	Resistor(1/10W 10KΩ ±5%)	[R247]
423	VRS-TS2AD103J	AA		C	Resistor(1/10W 10KΩ ±5%)	[R248]
424	VRS-TS2AD103J	AA		C	Resistor(1/10W 10KΩ ±5%)	[R249]
425	VRS-TS2AD472J	AA		C	Resistor(1/10W 4.7KΩ ±5%)	[R250]
426	VRS-TS2AD203J	AA		C	Resistor(1/10W 20KΩ ±5%)	[R251]
427	VRS-TS2AD101J	AA		C	Resistor(1/10W 100Ω ±5%)	[R254]
428	VRS-TS2AD101J	AA		C	Resistor(1/10W 100Ω ±5%)	[R255]
429	VRS-TS2AD472J	AA		C	Resistor(1/10W 4.7KΩ ±5%)	[R256]
430	VRS-TS2AD472J	AA		C	Resistor(1/10W 4.7KΩ ±5%)	[R257]
431	VRS-TS2AD472J	AA		C	Resistor(1/10W 4.7KΩ ±5%)	[R258]
432	VRS-TS2AD000J	AA		C	Resistor(1/10W 0Ω ±5%)	[R260]
433	VRS-TS2AD000J	AA		C	Resistor(1/10W 0Ω ±5%)	[R262]
434	VRS-TS2AD000J	AA		C	Resistor(1/10W 0Ω ±5%)	[R263]
435	VRS-TS2AD222J	AA		C	Resistor(1/10W 2.2KΩ ±5%)	[R264]
436	VRS-TS2AD000J	AA		C	Resistor(1/10W 0Ω ±5%)	[R266]
437	VRS-TS2AD000J	AA		C	Resistor(1/10W 0Ω ±5%)	[R267]
438	VRS-TS2AD103J	AA		C	Resistor(1/10W 10KΩ ±5%)	[R268]
439	VRS-TS2AD103J	AA		C	Resistor(1/10W 10KΩ ±5%)	[R269]
440	VRS-TS2AD183J	AA		C	Resistor(1/10W 18KΩ ±5%)	[R290]
441	VRS-TS2AD000J	AA		C	Resistor(1/10W 0Ω ±5%)	[R291]
442	VRS-TS2AD183J	AA		C	Resistor(1/10W 18KΩ ±5%)	[R292]
443	VRS-TS2AD103J	AA		C	Resistor(1/10W 10KΩ ±5%)	[R293]
444	VRS-TS2AD103J	AA		C	Resistor(1/10W 10KΩ ±5%)	[R294]
445	VRS-TS2AD203J	AA		C	Resistor(1/10W 20KΩ ±5%)	[R295]
446	VRS-TS2AD203J	AA		C	Resistor(1/10W 20KΩ ±5%)	[R296]
447	VRS-TS2AD102J	AA		C	Resistor(1/10W 1KΩ ±5%)	[R297]
448	VRS-TS2AD103J	AA		C	Resistor(1/10W 10KΩ ±5%)	[R299]
449	VRS-TS2AD000J	AA		C	Resistor(1/10W 0Ω ±5%)	[R300]
450	VRS-TS2AD472J	AA		C	Resistor(1/10W 4.7KΩ ±5%)	[R301]
451	VRS-TS2AD000J	AA		C	Resistor(1/10W 0Ω ±5%)	[R302]
452	VRS-TS2AD472J	AA		C	Resistor(1/10W 4.7KΩ ±5%)	[R305]
453	VRS-TS2AD561J	AA		C	Resistor(1/10W 560Ω ±5%)	[R307]
454	VRS-TS2AD472J	AA		C	Resistor(1/10W 4.7KΩ ±5%)	[R310]
455	VRS-TS2AD472J	AA		C	Resistor(1/10W 4.7KΩ ±5%)	[R314]
456	VRS-TS2AD472J	AA		C	Resistor(1/10W 4.7KΩ ±5%)	[R315]
457	VRS-TS2AD472J	AA		C	Resistor(1/10W 4.7KΩ ±5%)	[R316]
458	VRS-TS2AD000J	AA		C	Resistor(1/10W 0Ω ±5%)	[R317]
459	VRS-TS2AD100J	AA		C	Resistor(1/10W 10Ω ±5%)	[R318]
460	VRS-TS2AD100J	AA		C	Resistor(1/10W 10Ω ±5%)	[R319]
461	VRS-TS2AD103J	AA		C	Resistor(1/10W 10KΩ ±5%)	[R320]
462	VRS-TS2AD103J	AA		C	Resistor(1/10W 10KΩ ±5%)	[R321]
463	VRS-TS2AD103J	AA		C	Resistor(1/10W 10KΩ ±5%)	[R324]
464	VRS-TS2AD472J	AA		C	Resistor(1/10W 4.7KΩ ±5%)	[R325]
465	VRS-TS2AD103J	AA		C	Resistor(1/10W 10KΩ ±5%)	[R328]
466	VRS-TS2AD562J	AA		C	Resistor(1/10W 5.6KΩ ±5%)	[R329]
467	VRS-TS2AD154J	AA		C	Resistor(1/10W 150KΩ ±5%)	[R360]
468	VRS-TS2AD302J	AA		C	Resistor(1/10W 3KΩ ±5%)	[R363]
469	VRS-TS2AD103J	AA		C	Resistor(1/10W 10KΩ ±5%)	[R364]
470	VRS-TS2AD104J	AA		C	Resistor(1/10W 100KΩ ±5%)	[R365]
471	VRS-TS2AD103J	AA		C	Resistor(1/10W 10KΩ ±5%)	[R367]
472	VRS-TS2AD471J	AA		C	Resistor(1/10W 470Ω ±5%)	[R368]
473	VRS-TS2AD102J	AA		C	Resistor(1/10W 1KΩ ±5%)	[R369]
474	VRS-TS2AD102J	AA		C	Resistor(1/10W 1KΩ ±5%)	[R370]
475	VRS-TS2AD333J	AA		C	Resistor(1/10W 33KΩ ±5%)	[R371]
476	VRS-TS2AD101J	AA		C	Resistor(1/10W 100Ω ±5%)	[R373]
477	VRS-TP2BD000J	AA		C	Resistor(1/8W 0Ω ±5%)	[R374]
478	VRS-TS2AD472J	AA		C	Resistor(1/10W 4.7KΩ ±5%)	[R375]
479	VRS-TS2AD472J	AA		C	Resistor(1/10W 4.7KΩ ±5%)	[R376]

NO.	PARTS CODE	PRICE RANK	NEW MARK	PART RANK	DESCRIPTION	
[17] Control PWB unit						
480	VRS-TS2AD102J	AA		C	Resistor(1/10W 1KΩ ±5%)	[R377]
481	VRS-TS2AD000J	AA		C	Resistor(1/10W 0Ω ±5%)	[R378]
482	VRS-TS2AD000J	AA		C	Resistor(1/10W 0Ω ±5%)	[R379]
483	VRS-TS2AD103J	AA		C	Resistor(1/10W 10KΩ ±5%)	[R380]
484	VRS-TS2AD103J	AA		C	Resistor(1/10W 10KΩ ±5%)	[R381]
485	VRS-TS2AD103J	AA		C	Resistor(1/10W 10KΩ ±5%)	[R382]
486	VRS-TS2AD472J	AA		C	Resistor(1/10W 4.7KΩ ±5%)	[R383]
487	VRS-TS2AD472J	AA		C	Resistor(1/10W 4.7KΩ ±5%)	[R384]
488	VRS-TS2AD472J	AA		C	Resistor(1/10W 4.7KΩ ±5%)	[R385]
489	VRS-TS2AD000J	AA		C	Resistor(1/10W 0Ω ±5%)	[R400]
490	VRS-TS2AD100J	AA		C	Resistor(1/10W 10Ω ±5%)	[R402]
491	VRS-TS2AD101J	AA		C	Resistor(1/10W 100Ω ±5%)	[R404]
492	VRS-TS2AD103J	AA		C	Resistor(1/10W 10KΩ ±5%)	[R406]
493	VRS-TS2AD103J	AA		C	Resistor(1/10W 10KΩ ±5%)	[R407]
494	VRS-TS2AD103J	AA		C	Resistor(1/10W 10KΩ ±5%)	[R408]
495	VRS-TS2AD103J	AA		C	Resistor(1/10W 10KΩ ±5%)	[R409]
496	VRS-TS2AD271J	AA		C	Resistor(1/10W 270Ω ±5%)	[R410]
497	VRS-TS2AD471J	AA		C	Resistor(1/10W 470Ω ±5%)	[R411]
498	VRS-TS2AD471J	AA		C	Resistor(1/10W 470Ω ±5%)	[R412]
499	VRS-TS2AD271J	AA		C	Resistor(1/10W 270Ω ±5%)	[R413]
500	VRS-TS2AD000J	AA		C	Resistor(1/10W 0Ω ±5%)	[R415]
501	VRS-TS2AD472J	AA		C	Resistor(1/10W 4.7KΩ ±5%)	[R416]
502	VRS-TS2AD103J	AA		C	Resistor(1/10W 10KΩ ±5%)	[R419]
503	VRS-TS2AD000J	AA		C	Resistor(1/10W 0Ω ±5%)	[R422]
504	VRS-TS2AD000J	AA		C	Resistor(1/10W 0Ω ±5%)	[R423]
505	VRS-TS2AD330J	AA		C	Resistor(1/10W 33Ω ±5%)	[R424]
506	VRS-TS2AD000J	AA		C	Resistor(1/10W 0Ω ±5%)	[R425]
507	VRS-TS2AD151J	AA		C	Resistor(1/10W 150Ω ±5%)	[R426]
508	VRS-TS2AD000J	AA		C	Resistor(1/10W 0Ω ±5%)	[R427]
509	VRS-TS2AD000J	AA		C	Resistor(1/10W 0Ω ±5%)	[R428]
510	VRS-TS2AD000J	AA		C	Resistor(1/10W 0Ω ±5%)	[R429]
511	VRS-TS2AD100J	AA		C	Resistor(1/10W 10Ω ±5%)	[R501]
512	VRS-TS2AD100J	AA		C	Resistor(1/10W 10Ω ±5%)	[R502]
513	VRS-TS2AD100J	AA		C	Resistor(1/10W 10Ω ±5%)	[R503]
514	VRS-TS2AD100J	AA		C	Resistor(1/10W 10Ω ±5%)	[R504]
515	VRS-TS2AD100J	AA		C	Resistor(1/10W 10Ω ±5%)	[R505]
516	VRS-TS2AD100J	AA		C	Resistor(1/10W 10Ω ±5%)	[R506]
517	VRS-TS2AD100J	AA		C	Resistor(1/10W 10Ω ±5%)	[R507]
518	VRS-TS2AD100J	AA		C	Resistor(1/10W 10Ω ±5%)	[R508]
519	VRS-TS2AD100J	AA		C	Resistor(1/10W 10Ω ±5%)	[R509]
520	VRS-TS2AD100J	AA		C	Resistor(1/10W 10Ω ±5%)	[R510]
521	VRS-TS2AD100J	AA		C	Resistor(1/10W 10Ω ±5%)	[R511]
522	VRS-TS2AD100J	AA		C	Resistor(1/10W 10Ω ±5%)	[R512]
523	VRS-TS2AD100J	AA		C	Resistor(1/10W 10Ω ±5%)	[R513]
524	VRS-TS2AD100J	AA		C	Resistor(1/10W 10Ω ±5%)	[R514]
525	VRS-TS2AD100J	AA		C	Resistor(1/10W 10Ω ±5%)	[R515]
526	VRS-TS2AD100J	AA		C	Resistor(1/10W 10Ω ±5%)	[R516]
527	VRS-TS2AD100J	AA		C	Resistor(1/10W 10Ω ±5%)	[R517]
528	VRS-TS2AD101J	AA		C	Resistor(1/10W 100Ω ±5%)	[R519]
529	VRS-TS2AD103J	AA		C	Resistor(1/10W 10KΩ ±5%)	[R520]
530	VRS-TS2AD103J	AA		C	Resistor(1/10W 10KΩ ±5%)	[R521]
531	VRS-TS2AD103J	AA		C	Resistor(1/10W 10KΩ ±5%)	[R522]
532	VRS-TS2AD103J	AA		C	Resistor(1/10W 10KΩ ±5%)	[R523]
533	VRS-TS2AD103J	AA		C	Resistor(1/10W 10KΩ ±5%)	[R524]
534	VRSTS2AD4422F	AA		C	Resistor(1/10W 44.2KΩ ±1%)	[R525]
535	VRSTS2AD4422F	AA		C	Resistor(1/10W 44.2KΩ ±1%)	[R526]
536	VRSTS2AD4422F	AA		C	Resistor(1/10W 44.2KΩ ±1%)	[R527]
537	VRSTS2AD4422F	AA		C	Resistor(1/10W 44.2KΩ ±1%)	[R528]
538	VRSTS2AD6812F	AA		C	Resistor(1/10W 68.1KΩ ±1%)	[R529]
539	VRSTS2AD1373F	AA		C	Resistor(1/10W 137KΩ ±1%)	[R530]
540	VRS-TS2AD000J	AA		C	Resistor(1/10W 0Ω ±5%)	[R531]
541	VRS-TS2AD333J	AA		C	Resistor(1/10W 33KΩ ±5%)	[R532]
542	VRS-TS2AD333J	AA		C	Resistor(1/10W 33KΩ ±5%)	[R533]
543	VRS-TS2AD000J	AA		C	Resistor(1/10W 0Ω ±5%)	[R534]
544	VRS-TP2BD200J	AA		C	Resistor(1/8W 20Ω ±5%)	[R535]
545	VRS-TS2AD000J	AA		C	Resistor(1/10W 0Ω ±5%)	[R536]
546	VRS-TS2AD000J	AA		C	Resistor(1/10W 0Ω ±5%)	[R537]
547	VRS-TS2AD103J	AA		C	Resistor(1/10W 10KΩ ±5%)	[R538]
548	VRS-TS2AD822J	AA		C	Resistor(1/10W 8.2KΩ ±5%)	[R539]
549	VRS-TS2AD223J	AA		C	Resistor(1/10W 22KΩ ±5%)	[R540]
550	VRS-TS2AD273J	AA		C	Resistor(1/10W 27KΩ ±5%)	[R541]
551	VRS-TS2AD513J	AA		C	Resistor(1/10W 51KΩ ±5%)	[R542]
552	VRS-TS2AD332J	AA		C	Resistor(1/10W 3.3KΩ ±5%)	[R543]
553	VRS-TS2AD153J	AA		C	Resistor(1/10W 15KΩ ±5%)	[R544]
554	VRS-TS2AD223J	AA		C	Resistor(1/10W 22KΩ ±5%)	[R545]
555	VRS-TS2AD273J	AA		C	Resistor(1/10W 27KΩ ±5%)	[R546]
556	VRS-TS2AD113J	AA		C	Resistor(1/10W 11KΩ ±5%)	[R547]
557	VRS-TS2AD223J	AA		C	Resistor(1/10W 22KΩ ±5%)	[R548]
558	VRS-TS2AD332J	AA		C	Resistor(1/10W 3.3KΩ ±5%)	[R549]
559	VRS-TS2AD332J	AA		C	Resistor(1/10W 3.3KΩ ±5%)	[R550]

NO.	PARTS CODE	PRICE RANK	NEW MARK	PART RANK	DESCRIPTION	
[17] Control PWB unit						
560	VRS-TS2AD332J	AA		C	Resistor(1/10W 3.3KΩ ±5%)	[R551]
561	VRS-TS2AD101J	AA		C	Resistor(1/10W 100Ω ±5%)	[R552]
562	VRS-TS2AD101J	AA		C	Resistor(1/10W 100Ω ±5%)	[R553]
563	VRS-TS2AD000J	AA		C	Resistor(1/10W 0Ω ±5%)	[R554]
564	VRS-TS2AD000J	AA		C	Resistor(1/10W 0Ω ±5%)	[R555]
565	RR-TZ3016SCZZ	AA		C	Resistor(33Ωx4)	[RA1]
566	RR-TZ3016SCZZ	AA		C	Resistor(33Ωx4)	[RA2]
567	RR-TZ3016SCZZ	AA		C	Resistor(33Ωx4)	[RA3]
568	RR-TZ3016SCZZ	AA		C	Resistor(33Ωx4)	[RA4]
569	RR-TZ3018SCZZ	AC		C	Block resistor(470Ωx4)	[RA14]
570	RR-TZ3018SCZZ	AC		C	Block resistor(470Ωx4)	[RA15]
571	RCRSQ2162XHZZ	AH	N	B	Crystal(29.44MHz)	[X1]
572	RCRSZ2158XHZZ	AF		B	Crystal(16.00MHz)	[X2]
573	RCRSZ2151XHZZ	AF		B	Crystal(20.31092MHz)	[X3]
574	RCRSQ2163XHZZ	AN	N	B	Crystal(56.448MHz)	[X4]
575	RCRSZ2152XHZZ	AF		B	Crystal(19.6608MHz)	[X5]
576	RCRSP0074AFZZ	AE		B	Crystal(32.768kHz)	[X6]
	(Unit)					
901	DCEKC282NXHZZ	BZ	N	E	Control PWB unit(Within ROM)	[U]
	DCEKC688NXHZZ		N	E	Control PWB unit(Within ROM)	[C]
[18] LIU PWB unit						
1	VHVRA391PV6-1	AE		B	Varistor(RA391PV6)	[AR1]
2	QTANZ2042SCZZ	AB		C	Terminal	[ARG]
3	RC-FZ3024SCZZ	AG		C	Capacitor(250WV 0.82μF)	[C1]
4	VCKYPU1HB103K	AA		C	Capacitor(50WV 0.010μF)	[C2]
5	VCKYPU1HF223Z	AA		C	Capacitor(50WV 0.022μF)	[C3]
6	VCEAGA1HW225M	AA		C	Capacitor(50WV 2.2μF)	[C5]
7	VEEAGA1HW225M	AB	N	C	Capacitor(50WV 2.2μF)	[C6]
8	VCKYPU1HB102K	AA		C	Capacitor(50WV 1000PF)	[C7]
9	VCQYNA1HM333K	AA		C	Capacitor(50WV 0.033μF)	[C8]
10	VCKYPU1HB102K	AA		C	Capacitor(50WV 1000PF)	[C9]
11	VCEAGA1HW475M	AA		C	Capacitor(50WV 4.7μF)	[C10]
12	VCEAGA1HW475M	AA		C	Capacitor(50WV 4.7μF)	[C11]
13	VCEAGA1HW475M	AA		C	Capacitor(50WV 4.7μF)	[C12]
14	VCKYPU1HB471K	AA		C	Capacitor(50WV 470PF)	[C15]
15	VCQYNA1HM333K	AA		C	Capacitor(50WV 0.033μF)	[C16]
16	VCEAGA1HW107M	AA		C	Capacitor(50WV 100μF)	[C18]
17	VCKYPU1HF223Z	AA		C	Capacitor(50WV 0.022μF)	[C19]
18	RRLYD3433XHZZ	AH		B	Relay	[CML]
19	QCNCW2500SC01	AF		C	Connector(9pin)	[CNLIU]
20	VHDDSS133/-1	AA		B	Diode(1SS133)	[D1]
21	VHDDSS133/-1	AA		B	Diode(1SS133)	[D2]
22	VHINJM2904D-1	AG		B	IC,OP AMP.(NJM2904D)	[IC1]
23	VRD-HT2EY100J	AA		C	Resistor(1/4W 10W ±5%)	[J3]
24	QJAKZ2046SCBB	AH		C	Jack(2pin)	[MJ1-2]
25	VHPTLP521-1BL	AE		B	Photo coupler(TLP521)	[PC1]
26	VHPTLP627/-1	AH		B	Photo coupler(TLP627)	[PC2]
27	VHPPC814X/-1	AE		B	Photo transistor(PC814X)	[PC3]
28	VS2SD592A-S-1	AK		B	Transistor(2SD592A-S)	[Q1]
29	VS2SD1200FR-1	AE		B	Transistor(2SD1200FR)	[Q2]
30	VS2SA1807-P-1	AE		B	Transistor(2SA1807)	[Q3]
31	VSDTC114ES/-1	AB		B	Transistor(DTC114ES)	[Q4]
32	VSDTC114ES/-1	AB		B	Transistor(DTC114ES)	[Q5]
33	VRD-HT2EY224J	AA		C	Resistor(1/4W 220KΩ ±5%)	[R2]
34	VRD-HT2EY104J	AA		C	Resistor(1/4W 100KΩ ±5%)	[R3]
35	RR-HZ3011SCZZ	AC		C	Resistor(1/2W 4.7Ω ±5%)	[R4]
36	VRS-HT3AA133J	AB		C	Resistor(1W 13KΩ ±5%)	[R5]
37	VRD-HT2HY223J	AA		C	Resistor(1/2W 22KΩ ±5%)	[R6]
38	VRD-HT2EY124J	AA		C	Resistor(1/4W 120KΩ ±5%)	[R7]
39	VRD-HT2EY472J	AA		C	Resistor(1/4W 4.7KΩ ±5%)	[R8]
40	VRD-HT2EY183J	AA		C	Resistor(1/4W 18KΩ ±5%)	[R9]
41	VRD-HT2EY100J	AA		C	Resistor(1/4W 10Ω ±5%)	[R10]
42	VRD-HT2EY303J	AA		C	Resistor(1/4W 30KΩ ±5%)	[R11]
43	VRD-HT2EY910J	AA		C	Resistor(1/4W 91Ω ±5%)	[R12]
44	VRD-HT2EY300J	AA		C	Resistor(1/4W 30Ω ±5%)	[R13]
45	VRD-HT2EY201J	AA		C	Resistor(1/4W 200Ω ±5%)	[R14]
46	VRD-HT2EY621J	AA		C	Resistor(1/4W 620Ω ±5%)	[R15]
47	VRD-HT2EY621J	AA		C	Resistor(1/4W 620Ω ±5%)	[R16]
48	VRD-HT2EY223J	AA		C	Resistor(1/4W 22KΩ ±5%)	[R17]
49	VRD-HT2EY223J	AA		C	Resistor(1/4W 22KΩ ±5%)	[R18]
50	VRD-HT2EY751J	AA		C	Resistor(1/4W 750Ω ±5%)	[R19]
51	VRD-HT2EY223J	AA		C	Resistor(1/4W 22KΩ ±5%)	[R20]
52	VRD-HT2EY332J	AA		C	Resistor(1/4W 3.3KΩ ±5%)	[R21]
53	VRD-HT2EY223J	AA		C	Resistor(1/4W 22KΩ ±5%)	[R22]
54	VRD-HT2EY103J	AA		C	Resistor(1/4W 10KΩ ±5%)	[R24]

NO.	PARTS CODE	PRICE RANK	NEW MARK	PART RANK	DESCRIPTION
[18] LIU PWB unit					
55	VRD-HT2EY103J	AA		C	Resistor(1/4W 10KΩ ±5%) [R26]
56	VHD0R5G4B42-1S	AF		B	Bridge diode(0R5G4B42) [REC]
57	RTRNZ2163SCZZ	AH		B	Transformer [T1]
58	VHVERZV5D471/	AC		B	Varistor(ERZVA5D471) [VA1]
59	VHVERZV5D471/	AC		B	Varistor(ERZVA5D471) [VA2]
60	VHVTN07G101-1	AB		B	Varistor(TNR7G101KT2) [VA3]
61	VHEHZ2C1///-1	AA		B	Zener diode(HZ2C1-TA) [ZD1]
62	VHEHZ2C1///-1	AA		B	Zener diode(HZ2C1-TA) [ZD2]
63	VHEHZ27-1///-1	AB		B	Zener diode(HZ27C-1TA) [ZD3]
64	VHE1ZC15///-1	AC		B	Zener diode(1ZC15) [ZD4]
65	VHEMTZJ8R2B-1	AC		B	Zener diode(MTZJ8R2B) [ZD5]
66	VHEHZ2C1///-1	AA		B	Zener diode(HZ2C1-TA) [ZD6]
67	VHEHZ2C1///-1	AA		B	Zener diode(HZ2C1-TA) [ZD7]
	(Unit)				
901	DCEKL471BXH01	AZ		E	LIU PWB unit
[19] Printer PWB unit					
1	VCEAGA1VW476M	AB		C	Capacitor(35WV 47μF) [C1]
2	VCEAGA1CW227M	AB		C	Capacitor(16WV 220μF) [C2]
3	VCKYTV1HF103Z	AA		C	Capacitor(50WV 0.01μF) [C100]
4	VCKYTV1EF103Z	AA		C	Capacitor(25WV 0.01μF) [C101]
5	VCKYTV1EB821K	AC		C	Capacitor(25WV 820PF) [C102]
6	VCKYTV1EF103Z	AA		C	Capacitor(25WV 0.01μF) [C103]
7	VCKYTV1EB102K	AD		C	Capacitor(25WV 1000PF) [C104]
8	VCKYTV1EF103Z	AA		C	Capacitor(25WV 0.01μF) [C105]
9	VCKYTV1HF103Z	AA		C	Capacitor(50WV 0.01μF) [C106]
10	VCKYTV1EF103Z	AA		C	Capacitor(25WV 0.01μF) [C107]
11	VCKYTV1EF103Z	AA		C	Capacitor(25WV 0.01μF) [C108]
12	VCKYTV1EF103Z	AA		C	Capacitor(25WV 0.01μF) [C109]
13	VCKYTV1EF103Z	AA		C	Capacitor(25WV 0.01μF) [C110]
14	VCKYTV1EF103Z	AA		C	Capacitor(25WV 0.01μF) [C111]
15	VCKYTV1EF103Z	AA		C	Capacitor(25WV 0.01μF) [C112]
16	VCKYTV1EF103Z	AA		C	Capacitor(25WV 0.01μF) [C113]
17	VCKYTV1EF103Z	AA		C	Capacitor(25WV 0.01μF) [C114]
18	VCKYTV1EB821K	AC		C	Capacitor(25WV 820PF) [C115]
19	VCKYTV1EF103Z	AA		C	Capacitor(25WV 0.01μF) [C116]
20	VCKYTV1EF104Z	AA		C	Capacitor(25WV 0.1μF) [C119]
21	VCKYTV1EF103Z	AA		C	Capacitor(25WV 0.01μF) [C120]
22	VCKYTV1EF103Z	AA		C	Capacitor(25WV 0.01μF) [C121]
23	VCKYTV1EF103Z	AA		C	Capacitor(25WV 0.01μF) [C122]
24	VCKYTV1EB102K	AD		C	Capacitor(25WV 1000PF) [C123]
25	VCKYTV1EB102K	AD		C	Capacitor(25WV 1000PF) [C125]
26	VCKYTV1EF103Z	AA		C	Capacitor(25WV 0.01μF) [C126]
27	VCKYTV1EB102K	AD		C	Capacitor(25WV 1000PF) [C127]
28	VCKYTV1CF105Z	AB		C	Capacitor(16WV 1μF) [C129]
29	VCCCTV1HH180J	AA		C	Capacitor(50WV 18PF) [C130]
30	VCCCTV1HH180J	AA		C	Capacitor(50WV 18PF) [C131]
31	VCKYTV1HF104Z	AA		C	Capacitor(50WV 0.1μF) [C132]
32	VCKYTV1EB821K	AC		C	Capacitor(25WV 820PF) [C133]
33	VCKYTV1EF103Z	AA		C	Capacitor(25WV 0.01μF) [C134]
34	VCKYTV1EB102K	AD		C	Capacitor(25WV 1000PF) [C137]
35	VCKYTV1EB102K	AD		C	Capacitor(25WV 1000PF) [C138]
36	VCKYTV1EB102K	AD		C	Capacitor(25WV 1000PF) [C139]
37	VCKYTV1EB102K	AD		C	Capacitor(25WV 1000PF) [C140]
38	VCKYTV1EB821K	AC		C	Capacitor(25WV 820PF) [C141]
39	VCKYTV1HF104Z	AA		C	Capacitor(50WV 0.1μF) [C142]
40	VCKYTV1EF333Z	AB		C	Capacitor(25WV 0.033μF) [C143]
41	VCKYTV1EF104Z	AA		C	Capacitor(25WV 0.1μF) [C144]
42	VCKYTV1EB102K	AD		C	Capacitor(25WV 1000PF) [C145]
43	RC-FZ3039XHZZ	AB		C	Capacitor(16WV 0.1μF) [C147]
44	VCKYTV1EF104Z	AA		C	Capacitor(25WV 0.1μF) [C148]
45	VCKYTV1EB102K	AD		C	Capacitor(25WV 1000PF) [C149]
46	VCKYTV1EB102K	AD		C	Capacitor(25WV 1000PF) [C150]
47	VCKYTV1EF103Z	AA		C	Capacitor(25WV 0.01μF) [C151]
48	QCNCW2527SC3J	AM		C	Connector(30pin) [CN1]
49	QCNCM2484SC0B	AB		C	Connector(2pin) [CN2]
50	QCNCM2584SC0B	AC		C	Connector(2pin) [CN3]
51	QCNCM2584SC1A	AG		C	Connector(11pin) [CN4]
52	QCNCM2584SC0G	AE		C	Connector(7pin) [CN5]
53	QCNCM2584SC0D	AD		C	Connector(4pin) [CN6]
54	QCNCM2484SC0H	AD		C	Connector(8pin) [CN7]
55	QCNCM2584SC0C	AC		C	Connector(3pin) [CN8]
56	QCNCM2584SC0E	AD		C	Connector(5pin) [CN9]
57	QCNCM2498SC0B	AB		C	Connector(2pin) [CN10]
58	QCNCM2584SC1C	AG		C	Connector(13pin) [CN11]
59	QCNCM2498SC0D	AD		C	Connector(4pin) [CN13]
60	QCNCM2401SC0D	AC		C	Connector(4pin) [CN14]
61	QCNCM2585SC0D	AD		C	Connector(4pin) [CN15]

NO.	PARTS CODE	PRICE RANK	NEW MARK	PART RANK	DESCRIPTION	
[19] Printer PWB unit						
62	VHD1SS226/-1	AB		B	Diode(1SS226)	[D100]
63	VHD1SS355/-1	AB		B	Diode(1SS355)	[D101]
64	VHVICPS18/-1	AE		B	Varistor	[F100]
65	LPLTM3029XHZZ	AF		C	Heat sink	[H1]
66	VHTEA3718SDP	BA		B	IC,MOTOR DRIVER(TEA3718SDP)	[IC1]
67	RH-IX2162XHZZ	AZ	N	B	IC,CPU(M38073E4FP)	[IC2]
68	VHIULN2003ADR	AF		B	IC,TRANSISTOR ARRAY(ULN2003A)	[IC3]
69	VHTEA3718SDP	BA		B	IC,MOTOR DRIVER(TEA3718SDP)	[IC4]
70	VHI74VHC02F-1	AF		B	IC,HCMOS(74HC02)	[IC5]
71	VSDTD123YK-1	AC		B	Transistor(DTD123YK)	[Q100]
72	VSDTB114EK/-1	AD		B	Transistor(DTB114EK)	[Q101]
73	VSDTC114YU/-1	AC		B	Transistor(DTC114YUA)	[Q102]
74	VSDTC114YU/-1	AC		B	Transistor(DTC114YUA)	[Q103]
75	VSDTC114YU/-1	AC		B	Transistor(DTC114YUA)	[Q104]
76	VRS-TS2AD472J	AA		C	Resistor(1/10W 4.7KΩ ±5%)	[R1]
77	VRS-TS2AD000J	AA		C	Resistor(1/10W 0Ω ±5%)	[R2]
78	VRS-TW2HF1R3J	AC		C	Resistor(1/2W 1.3Ω ±5%)	[R100]
79	VRS-TW2HFR68J	AC		C	Resistor(1/2W 0.68Ω ±5%)	[R101]
80	VRS-TS2AD472J	AA		C	Resistor(1/10W 4.7KΩ ±5%)	[R102]
81	VRS-TS2AD563J	AA		C	Resistor(1/10W 56KΩ ±5%)	[R103]
82	VRS-TS2AD472J	AA		C	Resistor(1/10W 4.7KΩ ±5%)	[R105]
83	VRS-TS2AD103J	AA		C	Resistor(1/10W 10KΩ ±5%)	[R106]
84	VRS-TS2AD472J	AA		C	Resistor(1/10W 4.7KΩ ±5%)	[R107]
85	VRS-TS2AD472J	AA		C	Resistor(1/10W 4.7KΩ ±5%)	[R108]
86	VRS-TW2EE221J	AB		C	Resistor(1/4W 220Ω ±5%)	[R109]
87	VRS-TS2AD473J	AA		C	Resistor(1/10W 47KΩ ±5%)	[R110]
88	VRS-TS2AD102J	AA		C	Resistor(1/10W 1KΩ ±5%)	[R111]
89	VRS-TS2AD103J	AA		C	Resistor(1/10W 10KΩ ±5%)	[R113]
90	VRS-TS2AD103J	AA		C	Resistor(1/10W 10KΩ ±5%)	[R114]
91	VRS-TS2AD393J	AA		C	Resistor(1/10W 39KΩ ±5%)	[R115]
92	VRS-TS2AD682J	AA		C	Resistor(1/10W 6.8KΩ ±5%)	[R116]
93	VRS-TS2AD472J	AA		C	Resistor(1/10W 4.7KΩ ±5%)	[R117]
94	VRS-TS2AD103J	AA		C	Resistor(1/10W 10KΩ ±5%)	[R118]
95	VRS-TS2AD472J	AA		C	Resistor(1/10W 4.7KΩ ±5%)	[R119]
96	VRS-TS2AD103J	AA		C	Resistor(1/10W 10KΩ ±5%)	[R120]
97	VRS-TW2EE100J	AB		C	Resistor(1/4W 10Ω ±5%)	[R121]
98	VRS-TS2AD103J	AA		C	Resistor(1/10W 10KΩ ±5%)	[R122]
99	VRS-TS2AD103J	AA		C	Resistor(1/10W 10KΩ ±5%)	[R123]
100	VRS-TS2AD302J	AA		C	Resistor(1/10W 3KΩ ±5%)	[R124]
101	VRS-TS2AD000J	AA		C	Resistor(1/10W 0Ω ±5%)	[R125]
102	VRS-TW2HF1R3J	AC		C	Resistor(1/2W 1.3Ω ±5%)	[R126]
103	VRS-TS2AD102J	AA		C	Resistor(1/10W 1KΩ ±5%)	[R127]
104	VRS-TW2HFR68J	AC		C	Resistor(1/2W 0.68Ω ±5%)	[R128]
105	VRS-TS2AD563J	AA		C	Resistor(1/10W 56KΩ ±5%)	[R129]
106	VRS-TS2AD103J	AA		C	Resistor(1/10W 10KΩ ±5%)	[R130]
107	VRS-TS2AD222J	AA		C	Resistor(1/10W 2.2KΩ ±5%)	[R131]
108	VRS-TS2AD103J	AA		C	Resistor(1/10W 10KΩ ±5%)	[R134]
109	VRS-TS2AD103J	AA		C	Resistor(1/10W 10KΩ ±5%)	[R135]
110	VRS-TS2AD103J	AA		C	Resistor(1/10W 10KΩ ±5%)	[R136]
111	VRS-TS2AD103J	AA		C	Resistor(1/10W 10KΩ ±5%)	[R137]
112	VRS-TS2AD103J	AA		C	Resistor(1/10W 10KΩ ±5%)	[R138]
113	VRS-TS2AD103J	AA		C	Resistor(1/10W 10KΩ ±5%)	[R139]
114	VRS-TS2AD820J	AA		C	Resistor(1/10W 82Ω ±5%)	[R140]
115	VRS-TS2AD272J	AA		C	Resistor(1/10W 2.7KΩ ±5%)	[R141]
116	VRS-TS2AD222F	AA		C	Resistor(1/10W 2.2KΩ ±1%)	[R142]
117	VRS-TS2AD472J	AA		C	Resistor(1/10W 4.7KΩ ±5%)	[R143]
118	VRS-TS2AD103J	AA		C	Resistor(1/10W 10KΩ ±5%)	[R144]
119	VRS-TS2AD222J	AA		C	Resistor(1/10W 2.2KΩ ±5%)	[R145]
120	VRS-TS2AD103J	AA		C	Resistor(1/10W 10KΩ ±5%)	[R146]
121	VRS-TS2AD103J	AA		C	Resistor(1/10W 10KΩ ±5%)	[R147]
122	VRS-TS2AD680J	AA		C	Resistor(1/10W 68Ω ±5%)	[R148]
123	VRS-TS2AD103J	AA		C	Resistor(1/10W 10KΩ ±5%)	[R151]
124	VRS-TS2AD103J	AA		C	Resistor(1/10W 10KΩ ±5%)	[R152]
125	VRS-TS2AD103J	AA		C	Resistor(1/10W 10KΩ ±5%)	[R153]
126	RR-TZ3019SCZZ	AA		C	Resistor	[RA1]
127	RR-TZ3019SCZZ	AA		C	Resistor	[RA2]
128	RVR-Z2004SCZZ	AD		B	Variable resistor	[VR1]
129	RCRSQ5030XHZZ	AF		B	Crystal(8MHz)	[X1]
	(Unit)					
901	DCEKC470BXH02	BR	N	E	Printer PWB unit	
[20] Power supply PWB unit						
1	LANGK8132PAZZ	AC		C	Bracket	
2	LANGK8223PAZZ	AE		C	SW bracket	
3	LANGK8224PAZZ	AE		C	Inlet bracket	
4	PRDAR0331PAZZ	AE		C	Heat sink	

NO.	PARTS CODE	PRICE RANK	NEW MARK	PART RANK	DESCRIPTION
[20] Power supply PWB unit					
5	PRDAR0570PAZZ	AK		C	Heat sink
6	RCORF0071PAZZ	AB		C	Ferrite beads [BJ2]
7	RC-FZ138DPAZZ	AE		C	Capacitor(250WV 0.22μF) [C1]
8	RC-FZ137DPAZZ	AE		C	Capacitor(250WV 0.1μF) [C2]
9	RC-QZ0173PAZZ	AC		C	Capacitor(125WV 1000PF) [C3]
10	RC-QZ0173PAZZ	AC		C	Capacitor(125WV 1000PF) [C4]
11	RC-QZ0176PAZZ	AD		C	Capacitor(125WV 4700PF) [C5]
12	RC-EZ0425PAZZ	AR		C	Capacitor(200WV 470μF) [C6]
13	RC-FZ137DPAZZ	AE		C	Capacitor(250WV 0.1μF) [C7]
14	RC-KZ0074PAZZ	AB		C	Capacitor(500WV 470PF) [C8]
15	RC-QZ0226PAZZ	AB		C	Capacitor(50WV 0.01μF) [C9]
16	RC-QZ0227PAZZ	AB		C	Capacitor(50WV 3300PF) [C10]
17	RC-QZS104PARK	AC		C	Capacitor(50WV 0.1μF) [C13]
18	RC-QZS473PARK	AB		C	Capacitor(50WV 0.047μF) [C14]
19	VCEAFU1VM108M	AF		C	Capacitor(35WV 1000μF) [C15]
20	VCEAFU1HM105M	AC		C	Capacitor(50WV 1μF) [C16]
21	VCEAFU1AM228M	AF		C	Capacitor(10WV 2200μF) [C17]
22	RC-QZ0221PAZZ	AD		C	Capacitor(250WV 0.01μF) [C19]
23	VCEAFU1HM105M	AC		C	Capacitor(50WV 1μF) [C21]
24	QPLGZ0587PAZZ	AE		C	Connector(8pin) [CN1]
25	QPLGZ0526PAZZ	AD		C	Connector(3pin) [CN2]
26	QPLGJ2217YAZZ	AC		C	Connector(2pin) [CN3]
27	QPLGJ2672YAZZ	AD		C	Connector(3pin) [CN4]
28	QPLGZ0347PAZZ	AF		C	Connector(12pin) [CN5]
29	QSOCA0030PAZZ	AG		C	AC socket [CNAC]
30	VHD1SS244/-1	AC		B	Diode(1SS244) [D1]
31	VHDFMXG12S/-1	AG		B	Diode(FMXG12S) [D2]
32	VHDFMB-24M/-1	AF		B	Diode(FMB-24M) [D3]
33	VHDERA2206/-1	AD		B	Diode(ERA22-06) [D4]
34	VHD1SS270A/-1	AA		B	Diode(1SS270A) [D5]
35	VHDD3SBA60/-1	AG		B	Diode(D3SBA60) [DB2]
36	QFS-F0046PAZZ	AD		A	Fuse(125V 4A) [FS1]
37	QFSHA0016PAZZ	AC		C	Fuse-holder [FS1]
38	QFS-F0020PAZZ	AD		A	Fuse(125V 8A) [FS2]
39	QFSHA0016PAZZ	AC		C	Fuse-holder [FS2]
40	QFS-F0046PAZZ	AD		A	Fuse(125V 4A) [FS3]
41	QFSHA0016PAZZ	AC		C	Fuse-holder [FS3]
42	QFS-F0046PAZZ	AD		A	Fuse(125V 4A) [FS4]
43	QFSHA0016PAZZ	AC		C	Fuse-holder [FS4]
44	RH-IX0783PAZZ	AD		B	IC(L5431) [IC1]
45	RH-IX1659PAZZ	AP		B	IC(PQ30RV21) [IC2]
46	RTRNZ0577PACT	AK		C	Line-Filter [L1]
47	VHVC271D10A-1	AD		B	Varistor(ENC271D-10A) [NR1]
48	VHVC271D10A-1	AD		B	Varistor(ENC271D-10A) [NR2]
49	VHVC271D10A-1	AD		B	Varistor(ENC271D-10A) [NR3]
50	QSPGH0007PAZZ	AK		C	Varistor(DSA302A) [NR4]
51	RH-PX0296PAZZ	AF		B	Photo coupler(PC817X2) [PC1]
52	VHRS21MT2/-1	AK		B	Photo coupler(S21MT2) [PC2]
53	VS2SC1213-C1A	AC		B	Transistor(2SC1213C) [Q2]
54	VSDTC114ESA-1	AC		B	Transistor(DTC114ESA) [Q3]
55	VSDTA114ESA-1	AC		B	Transistor(DTA114ESA) [Q4]
56	VS2SK2185/-1	AL		B	Transistor(2SK2185) [Q10]
57	VRD-ST2CD474J	AA		C	Resistor(1/6W 470KΩ ±5%) [R1]
58	VRD-ST2CD274J	AB		C	Resistor(1/6W 270KΩ ±5%) [R4]
59	VRD-ST2CD274J	AB		C	Resistor(1/6W 270KΩ ±5%) [R5]
60	VRS-FT3DD220J	AC		C	Resistor(2W 22Ω ±5%) [R6]
61	VRD-ST2HF681J	AB		C	Resistor(1/2W 680Ω ±5%) [R8]
62	RR-NZ0065PAZZ	AB		C	Resistor(1/4W 3.9KΩ) [R9]
63	VRD-ST2CD223J	AA		C	Resistor(1/6W 22KΩ ±5%) [R10]
64	VRD-ST2CD473J	AA		C	Resistor(1/6W 47KΩ ±5%) [R11]
65	RR-XZ0065PAZZ	AC		C	Fusing resistor(1/6W 2.2Ω) [R12]
66	VRD-ST2CD122J	AA		C	Resistor(1/6W 1.2KΩ ±5%) [R13]
67	VRD-ST2CD331J	AA		C	Resistor(1/6W 330Ω ±5%) [R14]
68	VRD-ST2CD473J	AA		C	Resistor(1/6W 47KΩ ±5%) [R15]
69	VRD-ST2CD222J	AA		C	Resistor(1/6W 2.2KΩ ±5%) [R16]
70	VRD-ST2CD223J	AA		C	Resistor(1/6W 22KΩ ±5%) [R18]
71	RR-SZ0074PAZZ	AB		C	Resistor(2W 1KΩ) [R19]
72	RR-SZ0074PAZZ	AB		C	Resistor(2W 1KΩ) [R20]
73	VRD-ST2HF122J	AA		C	Resistor(1/2W 1.2KΩ ±5%) [R21]
74	VRD-ST2HF101J	AA		C	Resistor(1/2W 100Ω ±5%) [R22]
75	VRD-ST2HF104J	AA		C	Resistor(1/2W 100KΩ ±5%) [R24]
76	VRD-ST2CD183J	AA		C	Resistor(1/6W 18KΩ ±5%) [R25]
77	VRD-ST2CD222J	AA		C	Resistor(1/6W 2.2KΩ ±5%) [R26]
78	VRD-ST2CD222J	AA		C	Resistor(1/6W 2.2KΩ ±5%) [R27]
79	VRD-ST2CD222J	AA		C	Resistor(1/6W 2.2KΩ ±5%) [R28]
80	VRD-ST2CD330J	AA		C	Resistor(1/6W 33Ω ±5%) [R29]
81	VRD-ST2CD330J	AA		C	Resistor(1/6W 33Ω ±5%) [R30]
82	RR-XZ0078PAZZ	AC		C	Fusing resistor(1/6W 33Ω) [R35]
83	RR-XZ0076PAZZ	AC		C	Fusing resistor(1/6W 15Ω) [R41]
84	RR-SN2322PA6F	AB		C	Resistor(1/6W 23.2KΩ) [R51]

NO.	PARTS CODE	PRICE RANK	NEW MARK	PART RANK	DESCRIPTION
[20] Power supply PWB unit					
85	RR-NZ0064PAZZ	AB		C	Resistor(1/4W 1.2K Ω) [R52]
86	VRD-ST2CD124J	AB		C	Resistor(1/6W 120K Ω \pm 5%) [R62]
87	RRLYZ0101PAZZ	AK		B	Relay(SDT-SS-124DM) [RL1]
88	VHSTF321S//1	AG		B	Thyristor(TF321S) [SCR1]
89	VHS03P2M//1-3	AG		B	Thyristor(03P2M(L)) [SCR2]
90	QSW-C0048PAZZ	AN		C	Switch(AJ7220BK) [SW1]
91	RTRNZ0674PACD	AQ		B	Trans former [T1]
92	VHH11D8R0LA-1	AF		B	Thermistor(NTH11D8R0LA) [TH1]
93	VHSTM1241I//1	AN		B	Thyristor(TM1241I) [TRC1]
94	RVR-M0390PAZZ	AD		C	Variable resistor [VR1]
95	VHEHVS6B2//1	AC		B	Zener diode(HZS6B2) [ZD1]
96	VHEHVS15-3/-1	AC		B	Zener diode(HZS15-3) [ZD2]
97	VHEHVS6B2//1	AC		B	Zener diode(HZS6B2) [ZD3]
98	VHEHVS27-3/-1	AC		B	Zener diode(HZS27-3) [ZD4]
99	VHEHVS36-1/-1	AC		B	Zener diode(HZS36-1) [ZD5]
100	QLUGZ0008PAZZ	AC		C	SW LUG
B1	LX-BZ0241PAZZ	AA		C	Screw(3x8)
B2	LX-BZ0254PAZZ	AB		C	Screw(3x6)
B3	LX-BZ0273PAZZ	AB		C	Screw(3x6)
B4	LX-BZ0427PAZZ	AB		C	Screw(3x14)
B5	XBSSN30P06000	AA		C	Screw(3x6)
	(Unit)				
901	RDENT2135XHZZ	BM		E	Power supply PWB unit
[21] Operation panel PWB unit					
	(Unit)				
901	DCEKP496AXH03	BC		E	Operation panel PWB unit
[22] High voltage PWB unit					
	(Unit)				
901	0KW4109620201	BR		E	High voltage PWB unit
[23] Toner empty PWB unit					
	(Unit)				
901	0KW4122010202	BD		E	Toner empty PWB unit
[24] 2nd.cassette PWB unit					
1	VCKYPA1HF223Z	AA		C	Capacitor(50WV 0.022 μ F) [C1]
2	QCNCM7014SC0B	AD		C	Connector(2pin) [CN1]
3	QCNCM2584SC1C	AG		C	Connector(13pin) [CN2]
4	QCNCM7014SC1J	AC		C	Connector(10pin) [CN3]
5	QCNCM2498SC0E	AH		C	Connector(5pin) [CN4]
6	VHD1SR139-400	AB	N	B	Diode(1SR139-400) [D1]
7	VHISN74HC157N	AE		B	IC,TTL(74HC157) [IC1]
8	VHPSG206S//1	AG		B	Photo transistor(SG206S) [PC1]
9	VRD-HT2EY153J	AA		C	Resistor(1/4W 15K Ω \pm 5%) [R1]
10	VRD-HT2EY181J	AA		C	Resistor(1/4W 180 Ω \pm 5%) [R2]
11	VRD-HT2EY153J	AA		C	Resistor(1/4W 15K Ω \pm 5%) [R3]
12	VRD-HT2EY472J	AA		C	Resistor(1/4W 4.7K Ω \pm 5%) [R4]
13	VRD-HT2EY472J	AA		C	Resistor(1/4W 4.7K Ω \pm 5%) [R5]
14	VRD-HT2EY472J	AA		C	Resistor(1/4W 4.7K Ω \pm 5%) [R6]
15	VRD-HT2EY472J	AA		C	Resistor(1/4W 4.7K Ω \pm 5%) [R7]
16	VRD-HT2EY472J	AA		C	Resistor(1/4W 4.7K Ω \pm 5%) [R8]
	(Unit)				
901	DCEKZ472BXH01	AT	N	E	2nd. cassette PWB unit
[25] 3rd.cassette PWB unit					
1	VCEAGA1HW335M	AB		C	Capacitor(50WV 3.3 μ F) [C2]
2	VCKYPA1HB222K	AA		C	Capacitor(50WV 2200PF) [C4]
3	VCKYPA1HF223Z	AA		C	Capacitor(50WV 0.022 μ F) [C5]

NO.	PARTS CODE	PRICE RANK	NEW MARK	PART RANK	DESCRIPTION
[25] 3rd.cassette PWB unit					
4	VCKYPA1HF223Z	AA		C	Capacitor(50WV 0.022μF) [C6]
5	QCNCM7014SC1J	AC		C	Connector(10pin) [CN5]
6	QCNCM7014SC0B	AD		C	Connector(2pin) [CN6]
7	QCNCM2498SC0E	AH		C	Connector(5pin) [CN7]
8	QCNCM7014SC0F	AB		C	Connector(6pin) [CN8]
9	VHDDSS133//1	AA		B	Diode(1SS133) [D1]
10	VHD1SR139-400	AB	N	B	Diode(1SR139-400) [D2]
11	VHVICPN20//1	AD		B	Varistor(ICP-N20) [F1]
12	VHIM54666P+-1	AR	N	B	IC(M54666P) [IC1]
13	RH-IX2153XHZZ	AF	N	B	IC(74HC164) [IC2]
14	RH-IX2154XHZZ	AE	N	B	IC(74HC02) [IC3]
15	VHPSG206S//1	AG		B	Photo transistor(SG206S) [P1]
16	VS2SD1164//1	AE		B	Transistor(2SD1164) [Q1]
17	VRD-HT2EY472J	AA		C	Resistor(1/4W 4.7KΩ ±5%) [R1]
18	VRD-HT2EY103J	AA		C	Resistor(1/4W 10KΩ ±5%) [R2]
19	VRD-HT2EY181J	AA		C	Resistor(1/4W 180Ω ±5%) [R4]
20	VRD-HT2EY103J	AA		C	Resistor(1/4W 10KΩ ±5%) [R5]
21	VRD-HT2EY103J	AA		C	Resistor(1/4W 10KΩ ±5%) [R6]
22	VRD-HT2EY103J	AA		C	Resistor(1/4W 10KΩ ±5%) [R7]
23	VRD-HT2EY103J	AA		C	Resistor(1/4W 10KΩ ±5%) [R8]
24	VRS-RE3LA101J	AC		C	Resistor(3W 100Ω ±5%) [R9]
	(Unit)				
901	DCEKZ228CXH01	BN	N	E	3rd. cassette PWB unit
[26] Memory PWB unit					
1	VCEAPS226AF1C	AC		C	Capacitor(16WV 22μF) [C4]
2	VCEAPS226AF1C	AC		C	Capacitor(16WV 22μF) [C9]
3	VCEAPS226AF1C	AC		C	Capacitor(16WV 22μF) [C10]
4	VCKYTV1EF104Z	AA		C	Capacitor(25WV 0.1μF) [C100]
5	VCKYTV1EF104Z	AA		C	Capacitor(25WV 0.1μF) [C101]
6	VCKYTV1EF104Z	AA		C	Capacitor(25WV 0.1μF) [C102]
7	VCKYTV1EF104Z	AA		C	Capacitor(25WV 0.1μF) [C105]
8	VCKYTV1EF104Z	AA		C	Capacitor(25WV 0.1μF) [C106]
9	VCKYTV1EF104Z	AA		C	Capacitor(25WV 0.1μF) [C107]
10	VCKYTV1EF104Z	AA		C	Capacitor(25WV 0.1μF) [C110]
11	VCKYTV1EF104Z	AA		C	Capacitor(25WV 0.1μF) [C113]
12	VCKYTV1EF104Z	AA		C	Capacitor(25WV 0.1μF) [C116]
13	VCKYTV1EF104Z	AA		C	Capacitor(25WV 0.1μF) [C118]
14	QCNCW2590SC5J	AM	N	C	Connector(DHB-RD50-S131N-2.9) [CNOF]
15	VHDHRW0502A-1	AD		B	Diode(HRW0502A) [D1]
16	VHDHRW0502A-1	AD		B	Diode(HRW0502A) [D2]
17	VHIHD74HC244F	AE	N	B	IC(HD74HC244) [IC1]
18	VHIHD74HC244F	AE	N	B	IC(HD74HC244) [IC2]
19	VHIHD74HC244F	AE	N	B	IC(HD74HC244) [IC3]
20	VHILH28F016SU	BR		B	IC(LH28F016SUT) [IC4]
21	VHIHD74HC138F	AE	N	B	IC(HD74HC138) [IC6]
22	VRS-TV2AD000J	AA		C	Resistor(1/10W 0Ω ±5%) [R100]
23	VRS-TV2AD472J	AA		C	Resistor(1/10W 4.7KΩ ±5%) [R101]
24	VRS-TV2AD000J	AA		C	Resistor(1/10W 0Ω ±5%) [R102]
25	VRS-TV2AD472J	AA		C	Resistor(1/10W 4.7KΩ ±5%) [R103]
26	VRS-TS2AD910J	AA		C	Resistor(1/10W 91Ω ±5%) [R111]
27	VRS-TS2AD910J	AA		C	Resistor(1/10W 91Ω ±5%) [R112]
28	VRS-TS2AD910J	AA		C	Resistor(1/10W 91Ω ±5%) [R113]
29	VRS-TS2AD910J	AA		C	Resistor(1/10W 91Ω ±5%) [R114]
30	VRS-TS2AD910J	AA		C	Resistor(1/10W 91Ω ±5%) [R115]
31	VRS-TS2AD910J	AA		C	Resistor(1/10W 91Ω ±5%) [R116]
32	VRS-TS2AD910J	AA		C	Resistor(1/10W 91Ω ±5%) [R117]
33	VRS-TS2AD910J	AA		C	Resistor(1/10W 91Ω ±5%) [R118]
34	VRS-TS2AD910J	AA		C	Resistor(1/10W 91Ω ±5%) [R119]
35	VRS-TS2AD910J	AA		C	Resistor(1/10W 91Ω ±5%) [R120]
36	VRS-TS2AD910J	AA		C	Resistor(1/10W 91Ω ±5%) [R121]
37	VRS-TS2AD910J	AA		C	Resistor(1/10W 91Ω ±5%) [R122]
38	VRS-TS2AD910J	AA		C	Resistor(1/10W 91Ω ±5%) [R123]
39	VRS-TS2AD910J	AA		C	Resistor(1/10W 91Ω ±5%) [R124]
40	VRS-TS2AD910J	AA		C	Resistor(1/10W 91Ω ±5%) [R125]
41	VRS-TS2AD910J	AA		C	Resistor(1/10W 91Ω ±5%) [R126]
42	VRS-TS2AD910J	AA		C	Resistor(1/10W 91Ω ±5%) [R127]
43	VRS-TS2AD910J	AA		C	Resistor(1/10W 91Ω ±5%) [R128]
44	VRS-TS2AD910J	AA		C	Resistor(1/10W 91Ω ±5%) [R129]
	(Unit)				
901	DCEKM473BXH01	BR	N	E	Memory PWB unit

Index

PARTS CODE	No.	PRICE RANK	NEW MARK	PART RANK
[C]				
CBSHP2079SC02	7-1	AL		C
CCASP2107XH67	3-1	BF	N	E
"	4-901	BF	N	E
CCASP2108XH01	12-901	BE		E
"	14-901	BE		E
CCNW-4955XH01	1-1	AG		C
CGIDM2539XH01	5-901	AY		E
CPLTP2803XHC3	16-1	AV		C
CPLTP3009XHC1	16-2	AU		C
CROLP2320XH01	2-1	AZ		C
CROLR2423XH01	13-2	AV		C
"	15-2	AV		C
[D]				
DCEKC282NXHZZ	1-2	BZ	N	E
"	17-901	BZ	N	E
DCEKC470BXH02	1-3	BR	N	E
"	19-901	BR	N	E
DCEKC688NXHZZ	1-2		N	E
"	17-901		N	E
DCEKL471BXH01	1-4	AZ		E
"	18-901	AZ		E
DCEKM473BXH01	1-49	BR		E
"	26-901	BR	N	E
DCEKP496AXH03	4-1	BC		E
"	21-901	BC		E
DCEKZ228CXH01	15-3	BN	N	E
"	25-901	BN	N	E
DCEKZ472BXH01	13-3	AT	N	E
"	24-901	AT	N	E
[G]				
GCABA2327XHSD	1-5	AP	N	D
GCABB2328XHSA	1-6	AU		D
GCABC2329XHSA	1-7	AG		D
GCABD2330XHSA	1-8	AL		D
GCABE2331XHSA	1-9	AK		C
GCABG2333XHSA	13-4	AQ		C
"	15-4	AQ		C
GCABH2334XHSA	13-5	AN		C
"	15-5	AN		C
GCASP2107XHZZ	4-2	AM		D
GCASP2108XHSA	12-1	AT		C
"	14-1	AT		C
GCASP2109XHSA	12-2	AM		C
"	14-2	AM		C
GCOVA2405XHSA	2-2	AK		C
GCOVA2407XHSA	13-6	AH		C
"	15-6	AH		C
GCOVA2408XHSA	1-10	AH		D
"	13-7	AH		C
"	15-7	AH		C
GCOVA2416XHSA	16-26	AF	N	C
[H]				
HPNLC2400XHSA	1-11	AH	N	C
[J]				
JBTN-2184XHZZ	4-3	AK		C
JBTN-2185XHZZ	4-4	AH		C
JBTN-2187XHZZ	4-5	AE		C
JBTN-2189XHZZ	4-6	AC		C
JBTN-2253XHSA	4-7	AC		C
JBTN-2254XHSA	4-8	AC		C
JBTN-2255XHSA	2-3	AD		C
[L]				
LANGF2819XHZZ	5-1	AF		C
LANGF2825XHZZ	13-8	AF		C
"	15-8	AF		C
LANGK2826XHZZ	13-45	AV	N	C
LANGK8132PAZZ	20-1	AC		C
LANGK8223PAZZ	20-2	AE		C
LANGK8224PAZZ	20-3	AE		C
LBNJD2006XHZZ	1-12	AA		C
LBSHP2109XHZZ	13-9	AF		C
"	15-9	AF		C
LBSHP2113XHZZ	7-2	AH		C
LFRM-2201XHZZ	7-3	AL		C
LFRM-2202XHZZ	1-13	AP		C
LFRM-2203XHZZ	1-14	AQ		C
LHLDW2158SCZZ	1-15	AC		C
LHLDW2182SCZZ	1-16	AC		C
LHLDW2183SCZZ	1-17	AD		C

PARTS CODE	No.	PRICE RANK	NEW MARK	PART RANK
LHLDW2183SCZZ	6-1	AD		C
LPINS2032XHZZ	13-10	AF		C
"	15-10	AF		C
LPLTM3011XHZZ	5-2	AK		C
LPLTM3012XHZZ	7-4	AL		C
LPLTM3013XHZZ	6-2	AK		C
LPLTM3014XHZZ	1-18	AS		C
LPLTM3015XHZZ	1-19	AE		C
LPLTM3018XHZZ	1-20	AN		C
LPLTM3019XHZZ	2-4	AD		C
LPLTM3022XHZZ	12-3	AS		C
"	14-3	AS		C
LPLTM3024XHZA	13-1	AX	N	C
LPLTM3024XHZA	15-1	AX	N	C
LPLTM3025XHZZ	13-12	AS		C
"	15-12	AS		C
LPLTM3027XHZZ	13-13	AW		C
"	15-13	AW		C
LPLTM3028XHZA	15-14	AN	N	C
LPLTM3028XHZZ	13-14	AN		C
LPLTM3029XHZZ	19-65	AF		C
LPLTM3034XHZZ	1-21	AQ		C
LPLTM3036XHZZ	2-19	AH		C
LPLTM3037XHZZ	1-23	AD		C
LPLTM3079XHZZ	15-48	AG	N	C
LPLTM3080XHZZ	13-44	AF	N	C
"	15-47	AF	N	C
LPLTP2819XHZZ	5-3	AD		C
LPLTP2821XHZZ	5-4	AD		C
LPLTP2823XHZZ	4-9	AF		C
LPLTP3016XHSA	1-24	AN		C
LPLTP3017XHSA	1-25	AH		C
LPLTP3021XHZZ	12-4	AF		C
"	14-4	AF		C
LPLTP3023XHZZ	13-15	AF		C
"	15-15	AF		C
LPLTP3044XHZZ	13-16	AF		C
"	15-16	AF		C
LPLTP3078XHZZ	15-44	AE	N	C
LRALP2023XHZZ	13-17	AD		C
"	15-17	AD		C
LRALP2024XHZZ	13-18	AD		C
"	15-18	AD		C
LSTPP2052XHZZ	5-5	AD		C
LSTY-0057AFZZ	1-50	AC		C
LX-BZ0241PAZZ	20-B1	AA		C
LX-BZ0254PAZZ	20-B2	AB		C
LX-BZ0273PAZZ	20-B3	AB		C
LX-BZ0427PAZZ	20-B4	AB		C
LX-BZ2138XHZZ	2-B1	AB		C
LX-BZ2205XHZZ	1-B7	AC		C
"	2-B2	AC		C
"	5-B2	AC		C
"	12-B2	AC		C
"	14-B2	AC		C
LX-BZ2240XHZZ	13-B5	AB		C
"	15-B5	AB		C
LX-BZ2241XHZZ	1-B8	AC		C
[M]				
MLEVP2304XHSA	5-6	AE		C
MLEVP2305XHZZ	2-5	AD		C
MLEVP2308XHZZ	13-19	AD		C
"	15-19	AD		C
MLEVP2309XHZZ	13-20	AE		C
"	15-20	AE		C
MLOK-2008XHZZ	13-21	AC		C
"	15-21	AC		C
MSPRC2843XHZZ	5-7	AC		C
MSPRC3090XHZZ	2-7	AH		C
MSPRC3092XHZZ	12-5	AD		C
"	14-5	AD		C
MSPRC3095XHZZ	13-23	AD		C
"	15-23	AD		C
MSPRC3097XHZZ	13-25	AD		C
"	15-25	AD		C
MSPRC3100XHZZ	2-8	AF		C
MSPRC3126XHZZ	5-11	AG		C
MSPRC3138XHZZ	7-5	AE		C
MSPRC3149XHZZ	2-6	AB		C
MSPRC3179XHZZ	5-8		N	C

PARTS CODE	No.	PRICE RANK	NEW MARK	PART RANK
MSPRC3180XHZZ	5-10	AD	N	C
MSPRC3181XHZZ	13-24	AD	N	C
"	15-24	AD	N	C
MSPRD3086XHZZ	7-6	AH		C
MSPRD3091XHZZ	2-9	AF		C
MSPRD3093XHZZ	13-22	AG	N	C
"	15-22	AG	N	C
MSPRD3125XHZZ	12-6	AD		C
"	14-6	AD		C
MSPRP2841XHZZ	7-7	AC		C
MSPRP3055XHFFJ	1-26	AD		C
MSPRP3083XHZZ	5-12	AF		C
MSPRP3087XHZZ	7-8	AF		C
MSPRP3088XHZZ	7-9	AF		C
[N]				
NBRGP2128XHZA	7-10	AE		C
NBRGP2138XHZZ	7-11	AD		C
NBRGP2141XHZZ	7-12	AH		C
NGERH2319XHZZ	7-13	AD		C
NGERH2320XHZZ	7-14	AD		C
NGERH2322XHZZ	7-15	AC		C
NGERH2462XHZZ	7-16	AC		C
NGERH2463XHZZ	7-17	AC		C
NGERH2464XHZZ	6-3	AC		C
NGERH2465XHZZ	6-4	AC		C
NGERH2466XHZZ	1-27	AE		C
"	2-10	AE		C
NGERH2469XHZZ	13-26	AC		C
"	15-26	AC		C
NGERH2470XHZZ	13-27	AC		C
"	15-27	AC		C
NGERH2471XHZZ	13-28	AE		C
"	15-28	AE		C
NGERH2472XHZZ	13-42	AA	N	C
NGERH2473XHZZ	15-45	AE	N	C
NGERH2474XHZZ	15-42	AE	N	C
NGERP2318XHZZ	2-11	AD		C
NROLP2332XHZZ	7-18	AD		C
NROLP2334XHZA	5-13	AC		C
"	13-29	AC		C
"	15-29	AC		C
NROLP2420XHZZ	1-28	AM		C
NROLP2421XHZZ	2-12	AM		C
NROLR2338XHZZ	7-20	AK		C
NROLR2417XHZZ	7-19	AH		C
NROLR2418XHZZ	7-21	AL		C
NROLR2419XHZZ	7-22	AK		C
NROLR2422XHZZ	13-30	AN		C
"	15-30	AN		C
NSFTZ2306XHZZ	5-14	AD		C
NSFTZ2307XHZZ	7-23	AK		C
NSFTZ2308XHZZ	7-24	AL		C
NSFTZ2309XHZZ	13-31	AC		C
"	15-31	AC		C
NSFTZ2312XHZZ	13-32	AC		C
"	15-32	AC		C
[P]				
PBR5-2047SCZZ	5-15	AG		C
PBR5-2048XHZZ	7-25	AD		C
PCAPH2032XHZZ	12-7	AC		C
"	13-11	AC		C
"	14-7	AC		C
"	15-11	AC		C
PCUSS2097XHZZ	4-10	AC		C
PCUSS2122XHZZ	1-29	AC		C
PCUSS2127XHZZ	2-20	AC		C
PCUSS2126XHZZ	1-35	AC		C
PGIDM2539XHZA	5-16	AL	N	C
PGIDM2540XHZZ	5-17	AF		C
PGIDM2541XHSA	3-2	AL	N	C
PGIDM2542XHSA	1-30	AD		C
PGIDM2543XHSA	1-31	AD		C
PGIDM2544XHSA	2-13	AE		C
PGIDM2545XHSA	2-14	AC		C
PGIDM2546XHZZ	2-15	AH		C
PGIDM2547XHZZ	2-16	AK		C
PGIDM2549XHZZ	12-8	AQ		C
"	14-8	AQ		C
PGIDM2552XHZZ	13-33	AM		C
"	15-33	AM		C

PARTS CODE	No.	PRICE RANK	NEW MARK	PART RANK
PGUMM2162XHZZ	5-18	AF		C
PLEGP2071XHZZ	1-32	AE		C
"	13-34	AE		C
"	15-34	AE		C
PMAGE2056SCZA	13-35	AN	N	C
"	15-35	AN	N	C
PRDAR0331PAZZ	20-4	AE		C
PRDAR0570PAZZ	20-5	AK		C
PSEL-2017XHZZ	12-9	AE		D
"	14-9	AE		D
PSHEZ3410XHZZ	1-33	AB		C
PSHEZ3418XHZZ	5-9	AC		C
PSHEZ3419XHZZ	5-19	AB		C
PSHEZ3437XHZZ	13-36	AF		C
"	15-36	AF		C
PSHEZ3449XHZL	12-10	AF		D
"	14-10	AF		D
PSHEZ3449XHZR	12-11	AF		D
"	14-11	AF		D
PSHEZ3455XHZZ	2-17	AF		C
PSHEZ3473XHZZ	1-47	AN		C
PSHEZ3474XHZZ	1-48	AF		C
PSHEZ3477XHZZ	13-41	AB	N	C
"	15-41	AB	N	C
PSHEZ3478XHZZ	13-40	AB	N	C
"	15-40	AB	N	C
PSHEZ3480XHSA	4-11	AF	N	C
PSPAZ2245XHZZ	16-15	AD	N	C
PSPAZ2253XHZZ	13-43	AD	N	C
PSPAZ2255XHZZ	15-43	AD	N	C
PSPAZ2256XHZZ	16-33	AD	N	C
PSPO-2001XHZZ	1-34	AD		C
PSPO-2002XHZZ	12-12	AF		C
"	14-12	AF		C
PSPO-2003XHZZ	12-13	AF		C
"	14-13	AF		C
PSPO-2004XHZZ	12-14	AF		C
"	14-14	AF		C
PSPO-2005XHZZ	12-15	AF		C
"	14-15	AF		C
PSTM-2015SCZZ	7-34	AX		E
PTME-2060XHZZ	2-18	AF		C
PTME-2062XHZZ	12-16	AF		C
"	14-16	AF		C
PTME-2063XHZZ	12-17	AF		C
"	14-17	AF		C
PTME-2064XHZZ	12-18	AF		C
"	14-18	AF		C
PTME-2067XHZZ	7-26	AK		C
[Q]				
QACCD7618QCZZ	16-19	AQ		C
QCNCM2401SC0B	17-192	AA		C
QCNCM2401SC0D	19-60	AC		C
QCNCM2482SC2D	17-188	AB		C
QCNCM2484SC0B	19-49	AB		C
QCNCM2484SC0H	19-54	AD		C
QCNCM2498SC0B	19-57	AB		C
QCNCM2498SC0D	19-59	AD		C
QCNCM2498SC0E	24-5	AH		C
"	25-7	AH		C
QCNCM2499SC0I	17-185	AE		C
QCNCM2525SC3J	17-189	AH		C
QCNCM2525SC4J	17-187	AK		C
QCNCM2584SC0B	19-50	AC		C
QCNCM2584SC0C	19-55	AC		C
QCNCM2584SC0D	19-53	AD		C
QCNCM2584SC0E	19-56	AD		C
QCNCM2584SC0G	19-52	AE		C
QCNCM2584SC1A	19-51	AG		C
QCNCM2584SC1C	19-58	AG		C
"	24-3	AG		C
QCNCM2585SC0D	19-61	AD		C
QCNCM2589SC5J	17-186	AL		C
QCNCM7014SC0B	17-193	AD		C
"	24-2	AD		C
"	25-6	AD		C
QCNCM7014SC0D	17-194	AB		C
QCNCM7014SC0F	25-8	AB		C
QCNCM7014SC0H	17-191	AB		C
QCNCM7014SC1B	17-190	AD		C

PARTS CODE	No.	PRICE RANK	NEW MARK	PART RANK
QCNCM7014SC1J	17-184	AC		C
"	24-4	AC		C
"	25-5	AC		C
QCNCW2500SC0I	18-19	AF		C
QCNCW2527SC3J	19-48	AM		C
QCNCW2590SC5J	26-14	AM	N	C
QCNCW-277AXHZZ	7-27	AY	N	C
QCNCW-283AXHZZ	15-37	AK	N	C
QCNCW-316AXHZZ	1-51	AF	N	C
"	5-20	AF	N	C
QCNCW-4786XHGY	16-3	AL	N	C
QCNCW-4949XHZZ	4-12	AR		C
QCNCW-4952XHZZ	1-36	AF		C
QCNCW-4953XHZZ	7-28	AK		C
QCNCW-4956XHZZ	1-37	AK		C
QCNCW-4957XHZZ	1-38	AL		C
QCNCW-4960XHZZ	1-39	AD		C
QCNCW-4962XHZZ	13-37	AF		C
QCNCW-4964XHZZ	13-38	AF		C
"	15-38	AF		C
QFS-F0020PAZZ	20-38	AD		A
QFS-F0046PAZZ	20-36	AD		A
"	20-40	AD		A
"	20-42	AD		A
QFSHA0016PAZZ	20-37	AC		C
"	20-39	AC		C
"	20-41	AC		C
"	20-43	AC		C
QJAKZ2046SCBB	18-24	AH		C
QLUGZ0008PAZZ	20-100	AC		C
QPLGJ2217YAZZ	20-26	AC		C
QPLGJ2672YAZZ	20-27	AD		C
QPLGZ0347PAZZ	20-28	AF		C
QPLGZ0526PAZZ	20-25	AD		C
QPLGZ0587PAZZ	20-24	AE		C
QSOCA0030PAZZ	20-29	AG		C
QSOCZ2066SC42	17-234	AP		C
QSPGH0007PAZZ	20-50	AK		C
QSW-C0048PAZZ	20-90	AN		C
QSW-M2255SCZZ	1-40	AF		C
QSW-M2296XHZZ	1-41	AD		C
"	7-29	AD		C
QSW-M2298XHZZ	7-30	AE		C
QSW-Z2237SCZZ	7-31	AE		B
QSW-Z2285SCZZ	1-42	AK		C
QSW-Z2286XHZZ	13-39	AH		C
"	15-39	AH		C
QTANZ2042SCZZ	18-2	AB		C
[R]				
RC-EZ0425PAZZ	20-12	AR		C
RC-FZ137DPAZZ	20-8	AE		C
"	20-13	AE		C
RC-FZ138DPAZZ	20-7	AE		C
RC-FZ3024SCZZ	18-3	AG		C
RC-FZ3039XHZZ	19-43	AB		C
RC-KZ0074PAZZ	20-14	AB		C
RC-QZS104PARK	20-17	AC		C
RC-QZS473PARK	20-18	AB		C
RC-QZ0173PAZZ	20-9	AC		C
"	20-10	AC		C
RC-QZ0176PAZZ	20-11	AD		C
RC-QZ0221PAZZ	20-22	AD		C
RC-QZ0226PAZZ	20-15	AB		C
RC-QZ0227PAZZ	20-16	AB		C
RCORF0071PAZZ	20-6	AB		C
RCORF2124XHZZ	7-32	AE		B
RCORF2125XHZZ	3-3	AE		B
RCRSF0074AFZZ	17-576	AE		B
RCRSQ2162XHZZ	17-571	AH	N	B
RCRSQ2163XHZZ	17-574	AN	N	B
RCRSQ5030XHZZ	19-129	AF		B
RCRSZ2151XHZZ	17-573	AF		B
RCRSZ2152XHZZ	17-575	AF		B
RCRSZ2158XHZZ	17-572	AF		B
RDENT2135XHZZ	1-43	BM		E
"	20-901	BM		E
RH-IX0783PAZZ	20-44	AD		B
RH-IX1659PAZZ	20-45	AP		B
RH-IX2153XHZZ	25-13	AF	N	B
RH-IX2154XHZZ	25-14	AE	N	B

PARTS CODE	No.	PRICE RANK	NEW MARK	PART RANK
RH-IX2162XHZZ	19-67	AZ	N	B
RH-PX0296PAZZ	20-51	AF		B
RMOTZ2146XHZZ	6-5	AW		B
RMOTZ2147XHZZ	15-46	AT	N	B
RR-HZ3011SCZZ	18-35	AC		C
RR-NZ0064PAZZ	20-85	AB		C
RR-NZ0065PAZZ	20-62	AB		C
RR-SN2322PA6F	20-84	AB		C
RR-SZ0074PAZZ	20-71	AB		C
"	20-72	AB		C
RR-TZ3016SCZZ	17-565	AA		C
"	17-566	AA		C
"	17-567	AA		C
"	17-568	AA		C
RR-TZ3018SCZZ	17-569	AC		C
"	17-570	AC		C
RR-TZ3019SCZZ	19-126	AA		C
"	19-127	AA		C
RR-XZ0065PAZZ	20-65	AC		C
RR-XZ0076PAZZ	20-83	AC		C
RR-XZ0078PAZZ	20-82	AC		C
RRLYD3433XHZZ	18-18	AH		B
RRLYD20101PAZZ	20-87	AK		B
RTRNZ0577PACT	20-46	AK		C
RTRNZ0674PACD	20-91	AQ		B
RTRNZ2163SCZZ	18-57	AH		B
RUNTZ2038SCB4	7-33	AZ	N	E
RVR-M0390PAZZ	20-94	AD		C
RVR-Z2004SCZZ	19-128	AD		B
[S]				
SPAKA006AXHZZ	16-20	AC		C
SPAKA130BXHZZ	16-6	AH		C
SPAKA146BXHZZ	16-23	AH		D
SPAKA166BXHZZ	16-22	AH		C
SPAKA229BXHZZ	16-24	AE		C
SPAKA230BXHZZ	16-25	AE		C
SPAKA241BXHZZ	16-21	AH		C
SPAKA301BXH01	16-4	AK	N	D
SPAKA301BXH02	16-5	AK	N	D
SPAKA358BXHZZ	16-16	AB	N	C
SPAKA416BXHZZ	16-28	AH	N	D
SPAKA438BXHZZ	16-29	AG	N	D
SPAKA439BXHZZ	16-31	AG	N	D
SPAKA440BXHZZ	16-32	AG	N	D
SPAKA451BXHZZ	16-30	AB	N	C
SPAKA505AXHZZ	16-7	AF		D
SPAKA506AXHZZ	16-8	AP		D
SPAKC299BSCZZ	16-9	AS	N	D
SPAKC299BXHZZ	16-9	AS	N	D
SPAKC427BXHZZ	16-9		N	D
SPAKP398BXHZZ	16-10	AF	N	D
SSAKA1430QCZZ	16-11	AB		D
SSAKA2003XHZZ	16-12	AA		D
SSAKA2342QCZZ	16-27	AA		C
[T]				
TINSE4089XHZZ	16-13	AG	N	D
TINSK4105XHZZ	16-13		N	D
TLABG4602XHZZ	1-52	AB		D
TLABH262AXHZZ	1-44	AE		D
TLABH263AXHZZ	12-19	AE		D
"	14-19	AE		D
TLABH4813XHSA	16-14	AE		D
TLABH4815XHSA	12-20	AE		D
"	14-20	AE		D
TLABN1235CCZZ	1-45	AA		D
TLABP3078SCZZ	1-46	AA		D
TLABP3937XHZZ	16-17	AD		D
TLABS334BXHZZ	1-22	AC	N	D
TLABZ3935XHZZ	16-18	AF	N	D
[U]				
UBATL2071XHZZ	17-1	AL		B
UINK-2009SC01	7-35	BA		C
[V]				
VCCCTV1HH100D	17-119	AA		C
"	17-120	AA		C
"	17-153	AA		C
VCCCTV1HH101J	17-70	AA		C
"	17-149	AA		C
"	17-177	AA		C
VCCCTV1HH120J	17-52	AA		C

PARTS CODE	No.	PRICE RANK	NEW MARK	PART RANK
VCCCTV1HH120J	17-80	AA		C
"	17-134	AA		C
VCCCTV1HH180J	17-33	AA		C
"	17-135	AA		C
"	19-29	AA		C
"	19-30	AA		C
VCCCTV1HH200J	17-114	AA		C
VCCCTV1HH270J	17-113	AC		C
VCCCTV1HH3R0C	17-154	AA	N	C
VCCCTV1HH300J	17-68	AA		C
"	17-75	AA		C
VCCCTV1HH470J	17-182	AA		C
"	17-183	AA		C
VCCCTV1HH7R0D	17-41	AC		C
"	17-64	AC		C
VCCSTV1HL102J	17-69	AA		C
VCCSTV1HL181J	17-160	AD		C
VCCSTV1HL331J	17-44	AA		C
"	17-46	AA		C
"	17-57	AA		C
"	17-128	AA		C
VCCSTV1HL471J	17-43	AC		C
"	17-45	AC		C
VCEAEA1CW336M	17-8	AB		C
"	17-9	AB		C
"	17-11	AB		C
VCEAEA1VW476M	17-10	AH		C
VCEAFU1AM228M	20-21	AF		C
VCEAFU1HM105M	20-20	AC		C
"	20-23	AC		C
VCEAFU1VM108M	20-19	AF		C
VCEAGA1CW227M	19-2	AB		C
VCEAGA1CW476M	17-3	AB		C
"	17-4	AB		C
"	17-7	AB		C
"	17-18	AB		C
VCEAGA1EW106M	17-12	AA		C
"	17-13	AA		C
"	17-14	AA		C
"	17-15	AA		C
"	17-16	AA		C
VCEAGA1EW476M	17-17	AA		C
VCEAGA1HW105M	17-6	AB		C
VCEAGA1HW107M	17-2	AA		C
"	18-16	AA		C
VCEAGA1HW225M	18-6	AA		C
VCEAGA1HW335M	25-1	AB		C
VCEAGA1HW475M	17-5	AA		C
"	18-11	AA		C
"	18-12	AA		C
"	18-13	AA		C
VCEAGA1VW476M	19-1	AB		C
VCEAPS226AF1C	26-1	AC		C
"	26-2	AC		C
"	26-3	AC		C
VCKYPA1HB222K	25-2	AA		C
VCKYPA1HF223Z	24-1	AA		C
"	25-3	AA		C
"	25-4	AA		C
VCKYPU1HB102K	18-8	AA		C
"	18-10	AA		C
VCKYPU1HB103K	18-4	AA		C
VCKYPU1HB471K	18-14	AA		C
VCKYPU1HF223Z	18-5	AA		C
"	18-17	AA		C
VCKYTV1CF105Z	17-22	AB		C
"	17-66	AB		C
"	17-67	AB		C
"	17-72	AB		C
"	17-131	AB		C
"	17-146	AB		C
"	17-167	AB		C
"	19-28	AB		C
VCKYTV1CF225Z	17-163	AD		C
"	17-181	AD		C
VCKYTV1EB102K	19-7	AD		C
"	19-24	AD		C
"	19-25	AD		C
"	19-27	AD		C
"	19-34	AD		C

PARTS CODE	No.	PRICE RANK	NEW MARK	PART RANK
VCKYTV1EB102K	19-35	AD		C
"	19-36	AD		C
"	19-37	AD		C
"	19-42	AD		C
"	19-45	AD		C
"	19-46	AD		C
VCKYTV1EB104K	17-102	AA		C
"	17-129	AA		C
"	17-156	AA		C
"	17-157	AA		C
"	17-158	AA		C
"	17-159	AA		C
"	17-161	AA		C
"	17-180	AA		C
VCKYTV1EB821K	19-5	AC		C
"	19-18	AC		C
"	19-32	AC		C
"	19-38	AC		C
VCKYTV1EF103Z	19-4	AA		C
"	19-6	AA		C
"	19-8	AA		C
"	19-10	AA		C
"	19-11	AA		C
"	19-12	AA		C
"	19-13	AA		C
"	19-14	AA		C
"	19-15	AA		C
"	19-16	AA		C
"	19-17	AA		C
"	19-19	AA		C
"	19-21	AA		C
"	19-22	AA		C
"	19-23	AA		C
"	19-26	AA		C
"	19-33	AA		C
"	19-47	AA		C
VCKYTV1EF104Z	17-19	AA		C
"	17-20	AA		C
"	17-21	AA		C
"	17-23	AA		C
"	17-25	AA		C
"	17-26	AA		C
"	17-27	AA		C
"	17-30	AA		C
"	17-31	AA		C
"	17-32	AA		C
"	17-34	AA		C
"	17-35	AA		C
"	17-36	AA		C
"	17-37	AA		C
"	17-39	AA		C
"	17-42	AA		C
"	17-47	AA		C
"	17-48	AA		C
"	17-49	AA		C
"	17-50	AA		C
"	17-51	AA		C
"	17-53	AA		C
"	17-58	AA		C
"	17-59	AA		C
"	17-61	AA		C
"	17-63	AA		C
"	17-71	AA		C
"	17-73	AA		C
"	17-74	AA		C
"	17-76	AA		C
"	17-77	AA		C
"	17-78	AA		C
"	17-81	AA		C
"	17-82	AA		C
"	17-83	AA		C
"	17-84	AA		C
"	17-86	AA		C
"	17-87	AA		C
"	17-88	AA		C
"	17-89	AA		C
"	17-93	AA		C
"	17-95	AA		C
"	17-96	AA		C
"	17-97	AA		C

PARTS CODE	No.	PRICE RANK	NEW MARK	PART RANK
VCKYTV1EF104Z	17-98	AA		C
"	17-99	AA		C
"	17-100	AA		C
"	17-101	AA		C
"	17-104	AA		C
"	17-106	AA		C
"	17-111	AA		C
"	17-112	AA		C
"	17-115	AA		C
"	17-117	AA		C
"	17-118	AA		C
"	17-121	AA		C
"	17-122	AA		C
"	17-123	AA		C
"	17-124	AA		C
"	17-125	AA		C
"	17-126	AA		C
"	17-127	AA		C
"	17-130	AA		C
"	17-132	AA		C
"	17-133	AA		C
"	17-137	AA		C
"	17-138	AA		C
"	17-148	AA		C
"	17-155	AA		C
"	17-162	AA		C
"	17-164	AA		C
"	17-165	AA		C
"	17-166	AA		C
"	17-168	AA		C
"	17-169	AA		C
"	17-170	AA		C
"	17-172	AA		C
"	17-173	AA		C
"	17-174	AA		C
"	17-179	AA		C
"	19-20	AA		C
"	19-41	AA		C
"	19-44	AA		C
"	26-4	AA		C
"	26-5	AA		C
"	26-6	AA		C
"	26-7	AA		C
"	26-8	AA		C
"	26-9	AA		C
"	26-10	AA		C
"	26-11	AA		C
"	26-12	AA		C
"	26-13	AA		C
VCKYTV1EF333Z	19-40	AB		C
VCKYTV1HB102K	17-56	AA		C
"	17-85	AA		C
"	17-147	AA		C
"	17-178	AA		C
VCKYTV1HB103K	17-92	AB		C
"	17-152	AB		C
VCKYTV1HB221K	17-176	AA		C
VCKYTV1HB222K	17-28	AA		C
"	17-29	AA		C
"	17-54	AA		C
"	17-55	AA		C
"	17-62	AA		C
"	17-65	AA		C
"	17-79	AA		C
"	17-90	AA		C
"	17-91	AA		C
"	17-94	AA		C
"	17-105	AA		C
"	17-107	AA		C
"	17-108	AA		C
"	17-109	AA		C
"	17-110	AA		C
"	17-116	AA		C
"	17-139	AA		C
"	17-140	AA		C
"	17-141	AA		C
"	17-142	AA		C
"	17-143	AA		C
"	17-144	AA		C
"	17-145	AA		C

PARTS CODE	No.	PRICE RANK	NEW MARK	PART RANK
VCKYTV1HB222K	17-150	AA		C
"	17-151	AA		C
VCKYTV1HB331K	17-175	AA	N	C
VCKYTV1HB472K	17-103	AA		C
VCKYTV1HF103Z	17-38	AA		C
"	17-40	AA		C
"	19-3	AA		C
"	19-9	AA		C
VCKYTV1HF104Z	17-24	AA		C
"	17-136	AA		C
"	17-171	AA		C
"	19-31	AA		C
"	19-39	AA		C
VCQYNA1HM333K	18-9	AA		C
"	18-15	AA		C
VEEAGA1HW225M	18-7	AB	N	C
VHDDAP202U/-1	17-199	AB		B
VHDDA204K//1	17-200	AC		B
"	17-212	AC		B
VHDDSS133//1	18-20	AA		B
"	18-21	AA		B
"	25-9	AA		B
VHDD3SBA60/-1	20-35	AG		B
VHDERA2206/-1	20-33	AD		B
VHDFMB-24M/-1	20-32	AF		B
VHDFMXG12S/-1	20-31	AG		B
VHDHRW0502A-1	17-202	AD		B
"	17-203	AD		B
"	17-204	AD		B
"	17-205	AD		B
"	17-206	AD		B
"	17-207	AD		B
"	17-208	AD		B
"	17-209	AD		B
"	17-210	AD		B
"	17-211	AD		B
"	17-213	AD		B
"	17-214	AD		B
"	17-215	AD		B
"	17-216	AD		B
"	17-217	AD		B
"	17-218	AD		B
"	17-219	AD		B
"	17-220	AD		B
"	17-221	AD		B
"	17-222	AD		B
"	17-223	AD		B
"	17-225	AD		B
"	17-226	AD		B
"	26-15	AD		B
"	26-16	AD		B
VHDSR104///-1	17-195	AF		B
"	17-196	AF		B
"	17-197	AF		B
"	17-198	AF		B
VHD0R5G4B42-1S	18-56	AF		B
VHD1SR139-400	24-6	AB	N	B
"	25-10	AB	N	B
VHD1SS226//1	19-62	AB		B
VHD1SS244//1	20-30	AC		B
VHD1SS270A/-1	20-34	AA		B
VHD1SS355//1	17-201	AB		B
"	17-224	AB		B
"	17-227	AB		B
"	17-228	AB		B
"	19-63	AB		B
VHEHZS15-3/-1	20-96	AC		B
VHEHZS27-3/-1	20-98	AC		B
VHEHZS36-1/-1	20-99	AC		B
VHEHZS6B2//1	20-95	AC		B
"	20-97	AC		B
VHEHZ2C1///-1	18-61	AA		B
"	18-62	AA		B
"	18-66	AA		B
"	18-67	AA		B
VHEHZ27-1//1	18-63	AB		B
VHEMTZJ8R2B-1	18-65	AC		B
VHE1ZC15///-1	18-64	AC		B
VHH11D8R0LA-1	20-92	AF		B
VHIAD8051//1	17-271	AN		B

PARTS CODE	No.	PRICE RANK	NEW MARK	PART RANK
VHIBA10393F-1	17-242	AC		B
VHIBU4066BCF1	17-231	AD		B
VHHCFC4053M1T	17-255	AG		B
VHIHD7021606A	17-257	BE		B
VHIHD74HC04FM	17-236	AC		B
VHIHD74HC08FM	17-256	AF		B
"	17-258	AF		B
VHIHD74HC138F	26-21	AE	N	B
VHIHD74HC14FM	17-253	AF		B
"	17-261	AF		B
VHIHD74HC157F	17-239	AH		B
VHIHD74HC244F	26-17	AE	N	B
"	26-18	AE	N	B
"	26-19	AE	N	B
VHIHD74HC32FM	17-244	AC		B
VHIHD74HC74FM	17-250	AD		B
VHIHD74LS244F	17-251	AF		B
VHIHD74LS374F	17-249	AF		B
VHIHD74LV08T1	17-246	AE		B
VHIHD813201F1	17-243	BE		B
VHILB1845//1	17-238	AY		B
VHILC82103/-1	17-237	BA		B
VHILH28F016SU	26-20	BR		B
VHILH5116NA10	17-233	AL		B
VHILR38292/-1	17-241	AY		B
VHILZ9FJ59/-1	17-248	AX		B
VHIM54666P+-1	25-12	AR	N	B
VHIM65761FP-1	17-254	BD	N	B
VHINJM2113M-1	17-260	AG		B
VHINJM2902M-1	17-267	AF		B
VHINJM2904D-1	18-22	AG		B
VHINJM2904M-1	17-232	AE		B
"	17-268	AE		B
VHINJM78M12-1	17-269	AG	N	B
VHIN78L05UA-1	17-273	AK		B
VHIPST596CMT1	17-264	AF		B
VHIR288F26/-1	17-265	BV	N	B
VHISM8578BV-1	17-259	AK		B
VHISN74HC157N	24-7	AE		B
VHITC7S00FU-1	17-270	AE		B
VHITC7S04FU-1	17-266	AD		B
VHITC74HCU04F	17-272	AE		B
VHITEA3718SDP	19-66	BA		B
"	19-69	BA		B
VHIULN2003ADR	19-68	AF		B
VHIW24010S7LE	17-252	AZ		B
"	17-263	AZ		B
VHI1M16E//J-6	17-240	AZ		B
"	17-247	AZ		B
VHI27160FBN0A	17-235	BQ	N	B
VHI27160FBP0A	17-235	BQ	N	B
VHI74VHC02F-1	19-70	AF		B
VHI74VHC04F-1	17-245	AE		B
VHI74VHC393FT	17-262	AK		B
VHPPC814X//1	18-27	AE		B
VHPSG206S//1	24-8	AG		B
"	25-15	AG		B
VHPTLP521-1BL	18-25	AE		B
VHPTLP627//1	18-26	AH		B
VHRS21MT2//1	20-52	AK		B
VHSTF321S//1	20-88	AG		B
VHSTM1241I/-1	20-93	AN		B
VHS03P2M///-3	20-89	AG		B
VHVC271D10A-1	20-47	AD		B
"	20-48	AD		B
"	20-49	AD		B
VHVERZV5D471/	18-58	AC		B
"	18-59	AC		B
VHVICPN20//1	25-11	AD		B
VHVICPS10//1	17-229	AG		B
VHVICPS18//1	17-230	AE		B
"	19-64	AE		B
VHVRA391PV6-1	18-1	AE		B
VHVTN07G101-1	18-60	AB		B
VP-1M1R0J0000	17-278	AC	N	C
VRD-HT2EY000J	17-297	AA		C
VRD-HT2EY100J	18-23	AA		C
"	18-41	AA		C
VRD-HT2EY103J	18-54	AA		C
"	18-55	AA		C

PARTS CODE	No.	PRICE RANK	NEW MARK	PART RANK
VRD-HT2EY103J	25-18	AA		C
"	25-20	AA		C
"	25-21	AA		C
"	25-22	AA		C
"	25-23	AA		C
VRD-HT2EY104J	18-34	AA		C
VRD-HT2EY124J	18-38	AA		C
VRD-HT2EY153J	24-9	AA		C
"	24-11	AA		C
VRD-HT2EY181J	24-10	AA		C
"	25-19	AA		C
VRD-HT2EY183J	18-40	AA		C
VRD-HT2EY201J	18-45	AA		C
VRD-HT2EY223J	18-48	AA		C
"	18-49	AA		C
"	18-51	AA		C
"	18-53	AA		C
VRD-HT2EY224J	18-33	AA		C
VRD-HT2EY300J	18-44	AA		C
VRD-HT2EY303J	18-42	AA		C
VRD-HT2EY332J	18-52	AA		C
VRD-HT2EY472J	18-39	AA		C
"	24-12	AA		C
"	24-13	AA		C
"	24-14	AA		C
"	24-15	AA		C
"	24-16	AA		C
"	25-17	AA		C
VRD-HT2EY621J	18-46	AA		C
"	18-47	AA		C
VRD-HT2EY751J	18-50	AA		C
VRD-HT2EY910J	18-43	AA		C
VRD-HT2HY223J	18-37	AA		C
VRD-HT2HY910J	17-295	AA		C
"	17-296	AA		C
VRD-ST2CD122J	20-66	AA		C
VRD-ST2CD124J	20-86	AB		C
VRD-ST2CD183J	20-76	AA		C
VRD-ST2CD222J	20-69	AA		C
"	20-77	AA		C
"	20-78	AA		C
"	20-79	AA		C
VRD-ST2CD223J	20-63	AA		C
"	20-70	AA		C
VRD-ST2CD274J	20-58	AB		C
"	20-59	AB		C
VRD-ST2CD330J	20-80	AA		C
"	20-81	AA		C
VRD-ST2CD331J	20-67	AA		C
VRD-ST2CD473J	20-64	AA		C
"	20-68	AA		C
VRD-ST2CD474J	20-57	AA		C
VRD-ST2HF101J	20-74	AA		C
VRD-ST2HF104J	20-75	AA		C
VRD-ST2HF122J	20-73	AA		C
VRD-ST2HF681J	20-61	AB		C
VRS-FT3DD220J	20-60	AC		C
VRS-HT3AAR47J	17-293	AC		C
"	17-294	AC		C
VRS-HT3AA133J	18-36	AB		C
VRS-RE3LA101J	25-24	AC		C
VRS-TP2BD000J	17-477	AA		C
VRS-TP2BD200J	17-544	AA		C
VRS-TP2BD222J	17-301	AA		C
VRS-TS2AD000J	17-60	AA		C
"	17-274	AA		C
"	17-275	AA		C
"	17-277	AA		C
"	17-279	AA		C
"	17-280	AA		C
"	17-299	AA		C
"	17-300	AA		C
"	17-302	AA		C
"	17-318	AA		C
"	17-321	AA		C
"	17-322	AA		C
"	17-323	AA		C
"	17-324	AA		C
"	17-325	AA		C
"	17-327	AA		C

PARTS CODE	No.	PRICE RANK	NEW MARK	PART RANK
VRS-TS2AD000J	17-329	AA		C
"	17-330	AA		C
"	17-331	AA		C
"	17-353	AA		C
"	17-355	AA		C
"	17-370	AA		C
"	17-371	AA		C
"	17-372	AA		C
"	17-373	AA		C
"	17-374	AA		C
"	17-377	AA		C
"	17-379	AA		C
"	17-400	AA		C
"	17-403	AA		C
"	17-404	AA		C
"	17-405	AA		C
"	17-406	AA		C
"	17-407	AA		C
"	17-409	AA		C
"	17-411	AA		C
"	17-412	AA		C
"	17-413	AA		C
"	17-416	AA		C
"	17-417	AA		C
"	17-418	AA		C
"	17-420	AA		C
"	17-432	AA		C
"	17-433	AA		C
"	17-434	AA		C
"	17-436	AA		C
"	17-437	AA		C
"	17-441	AA		C
"	17-449	AA		C
"	17-451	AA		C
"	17-458	AA		C
"	17-481	AA		C
"	17-482	AA		C
"	17-489	AA		C
"	17-500	AA		C
"	17-503	AA		C
"	17-504	AA		C
"	17-506	AA		C
"	17-508	AA		C
"	17-509	AA		C
"	17-510	AA		C
"	17-540	AA		C
"	17-543	AA		C
"	17-545	AA		C
"	17-546	AA		C
"	17-563	AA		C
"	17-564	AA		C
"	19-77	AA		C
"	19-101	AA		C
VRS-TS2AD100J	17-276	AA		C
"	17-310	AA		C
"	17-311	AA		C
"	17-459	AA		C
"	17-460	AA		C
"	17-490	AA		C
"	17-511	AA		C
"	17-512	AA		C
"	17-513	AA		C
"	17-514	AA		C
"	17-515	AA		C
"	17-516	AA		C
"	17-517	AA		C
"	17-518	AA		C
"	17-519	AA		C
"	17-520	AA		C
"	17-521	AA		C
"	17-522	AA		C
"	17-523	AA		C
"	17-524	AA		C
"	17-525	AA		C
"	17-526	AA		C
"	17-527	AA		C
VRS-TS2AD101J	17-307	AA		C
"	17-308	AA		C
"	17-368	AA		C
"	17-369	AA		C

PARTS CODE	No.	PRICE RANK	NEW MARK	PART RANK
VRS-TS2AD101J	17-387	AA		C
"	17-427	AA		C
"	17-428	AA		C
"	17-476	AA		C
"	17-491	AA		C
"	17-528	AA		C
"	17-561	AA		C
"	17-562	AA		C
VRS-TS2AD102J	17-326	AA		C
"	17-336	AA		C
"	17-339	AA		C
"	17-343	AA		C
"	17-447	AA		C
"	17-473	AA		C
"	17-474	AA		C
"	17-480	AA		C
"	19-88	AA		C
"	19-103	AA		C
VRS-TS2AD103J	17-298	AA		C
"	17-305	AA		C
"	17-306	AA		C
"	17-312	AA		C
"	17-316	AA		C
"	17-358	AA		C
"	17-360	AA		C
"	17-362	AA		C
"	17-364	AA		C
"	17-365	AA		C
"	17-366	AA		C
"	17-380	AA		C
"	17-399	AA		C
"	17-408	AA		C
"	17-410	AA		C
"	17-414	AA		C
"	17-415	AA		C
"	17-421	AA		C
"	17-422	AA		C
"	17-423	AA		C
"	17-424	AA		C
"	17-438	AA		C
"	17-439	AA		C
"	17-443	AA		C
"	17-444	AA		C
"	17-448	AA		C
"	17-461	AA		C
"	17-462	AA		C
"	17-463	AA		C
"	17-465	AA		C
"	17-469	AA		C
"	17-471	AA		C
"	17-483	AA		C
"	17-484	AA		C
"	17-485	AA		C
"	17-492	AA		C
"	17-493	AA		C
"	17-494	AA		C
"	17-495	AA		C
"	17-502	AA		C
"	17-529	AA		C
"	17-530	AA		C
"	17-531	AA		C
"	17-532	AA		C
"	17-533	AA		C
"	17-547	AA		C
"	19-83	AA		C
"	19-89	AA		C
"	19-90	AA		C
"	19-94	AA		C
"	19-96	AA		C
"	19-98	AA		C
"	19-99	AA		C
"	19-106	AA		C
"	19-108	AA		C
"	19-109	AA		C
"	19-110	AA		C
"	19-111	AA		C
"	19-112	AA		C
"	19-113	AA		C
"	19-118	AA		C
"	19-120	AA		C

PARTS CODE	No.	PRICE RANK	NEW MARK	PART RANK
VRS-TS2AD103J	19-121	AA		C
"	19-123	AA		C
"	19-124	AA		C
"	19-125	AA		C
VRS-TS2AD104J	17-470	AA		C
VRS-TS2AD105J	17-309	AA		C
"	17-328	AA		C
"	17-392	AA		C
VRS-TS2AD113J	17-556	AA		C
VRS-TS2AD151J	17-396	AA		C
"	17-397	AA		C
"	17-398	AA		C
"	17-507	AA		C
VRS-TS2AD153J	17-553	AA		C
VRS-TS2AD154J	17-467	AA		C
VRS-TS2AD182J	17-319	AA		C
VRS-TS2AD183J	17-440	AA		C
"	17-442	AA		C
VRS-TS2AD203J	17-426	AA		C
"	17-445	AA		C
"	17-446	AA		C
VRS-TS2AD222F	19-116	AA		C
VRS-TS2AD222J	17-435	AA		C
"	19-107	AA		C
"	19-119	AA		C
VRS-TS2AD223F	17-332	AA		C
VRS-TS2AD223J	17-549	AA		C
"	17-554	AA		C
"	17-557	AA		C
VRS-TS2AD271J	17-303	AA		C
"	17-313	AA		C
"	17-315	AA		C
"	17-344	AA		C
"	17-345	AA		C
"	17-346	AA		C
"	17-347	AA		C
"	17-348	AA		C
"	17-349	AA		C
"	17-350	AA		C
"	17-351	AA		C
"	17-354	AA		C
"	17-356	AA		C
"	17-357	AA		C
"	17-361	AA		C
"	17-388	AA		C
"	17-394	AA		C
"	17-395	AA		C
"	17-401	AA		C
"	17-402	AA		C
"	17-496	AA		C
"	17-499	AA		C
VRS-TS2AD272J	19-115	AA		C
VRS-TS2AD273J	17-550	AA		C
"	17-555	AA		C
VRS-TS2AD302J	17-320	AA		C
"	17-352	AA		C
"	17-468	AA		C
"	19-100	AA		C
VRS-TS2AD330J	17-304	AA		C
"	17-340	AA		C
"	17-341	AA		C
"	17-383	AA		C
"	17-505	AA		C
VRS-TS2AD331J	17-378	AA		C
"	17-382	AA		C
VRS-TS2AD332J	17-314	AA		C
"	17-342	AA		C
"	17-389	AA		C
"	17-390	AA		C
"	17-391	AA		C
"	17-552	AA		C
"	17-558	AA		C
"	17-559	AA		C
"	17-560	AA		C
VRS-TS2AD333F	17-334	AB		C
VRS-TS2AD333J	17-475	AA		C
"	17-541	AA		C
"	17-542	AA		C
VRS-TS2AD393F	17-335	AA		C
VRS-TS2AD393J	19-91	AA		C

PARTS CODE	No.	PRICE RANK	NEW MARK	PART RANK
VRS-TS2AD471J	17-472	AA		C
"	17-497	AA		C
"	17-498	AA		C
VRS-TS2AD472J	17-337	AA		C
"	17-363	AA		C
"	17-367	AA		C
"	17-375	AA		C
"	17-376	AA		C
"	17-381	AA		C
"	17-384	AA		C
"	17-385	AA		C
"	17-386	AA		C
"	17-419	AA		C
"	17-425	AA		C
"	17-429	AA		C
"	17-430	AA		C
"	17-431	AA		C
"	17-450	AA		C
"	17-452	AA		C
"	17-454	AA		C
"	17-455	AA		C
"	17-456	AA		C
"	17-457	AA		C
"	17-464	AA		C
"	17-478	AA		C
"	17-479	AA		C
"	17-486	AA		C
"	17-487	AA		C
"	17-488	AA		C
"	17-501	AA		C
"	19-76	AA		C
"	19-80	AA		C
"	19-82	AA		C
"	19-84	AA		C
"	19-85	AA		C
"	19-93	AA		C
"	19-95	AA		C
"	19-117	AA		C
VRS-TS2AD473J	19-87	AA		C
VRS-TS2AD513J	17-551	AA		C
VRS-TS2AD561J	17-393	AA		C
"	17-453	AA		C
VRS-TS2AD562J	17-317	AA		C
"	17-359	AA		C
"	17-466	AA		C
VRS-TS2AD563F	17-333	AA		C
"	17-338	AA		C
VRS-TS2AD563J	19-81	AA		C
"	19-105	AA		C
VRS-TS2AD680J	19-122	AA		C
VRS-TS2AD682J	19-92	AA		C
VRS-TS2AD820J	19-114	AA		C
VRS-TS2AD822J	17-548	AA		C
VRS-TS2AD910J	26-26	AA		C
"	26-27	AA		C
"	26-28	AA		C
"	26-29	AA		C
"	26-30	AA		C
"	26-31	AA		C
"	26-32	AA		C
"	26-33	AA		C
"	26-34	AA		C
"	26-35	AA		C
"	26-36	AA		C
"	26-37	AA		C
"	26-38	AA		C
"	26-39	AA		C
"	26-40	AA		C
"	26-41	AA		C
"	26-42	AA		C
"	26-43	AA		C
"	26-44	AA		C
VRS-TV2AD000J	26-22	AA		C
"	26-24	AA		C
VRS-TV2AD472J	26-23	AA		C
"	26-25	AA		C
VRS-TW2EE100J	19-97	AB		C
VRS-TW2EE221J	19-86	AB		C
VRS-TW2HFR68J	19-79	AC		C
"	19-104	AC		C

PARTS CODE	No.	PRICE RANK	NEW MARK	PART RANK
VRS-TW2HF1R3J	19-78	AC		C
"	19-102	AC		C
VRSTS2AD1373F	17-539	AA		C
VRSTS2AD4422F	17-534	AA		C
"	17-535	AA		C
"	17-536	AA		C
"	17-537	AA		C
VRSTS2AD6812F	17-538	AA		C
VSDTA114EK/-1	17-288	AB		B
"	17-289	AB		B
VSDTA114ESA-1	20-55	AC		B
VSDTB114EK/-1	19-72	AD		B
VSDTC114EK/-1	17-284	AB		B
"	17-285	AB		B
"	17-286	AB		B
"	17-287	AB		B
"	17-290	AB		B
"	17-291	AB		B
"	17-292	AB		B
VSDTC114ES/-1	17-281	AB		B
"	18-32	AB		B
VSDTC114ESA-1	20-54	AC		B
VSDTC114YU/-1	19-73	AC		B
"	19-74	AC		B
"	19-75	AC		B
VSDTD123YK/-1	19-71	AC		B
VS2SA1037KR-1	17-283	AB		B
VS2SA1807-P-1	18-30	AE		B
VS2SC1213-C1A	20-53	AC		B
VS2SD1164//1	17-281	AE		B
"	25-16	AE		B
VS2SD1200FR-1	18-29	AE		B
VS2SD1664Q/-1	17-282	AD		B
VS2SD592A-S-1	18-28	AK		B
VS2SK2185//1	20-56	AL		B
VVLLMG2025TPR	4-13	BA		B
[X]				
XBBS23P08000	1-B1	AA		C
XBPSD30P06K00	13-B1	AA		C
"	15-B1	AA		C
XBPSN40P06K00	1-B6	AA		C
XBSSN30P06000	20-B5	AA		C
XEBSD30P08000	13-B8	AA		C
"	15-B8	AA		C
XEBSD30P10000	1-B2	AA		C
"	2-B3	AA		C
"	3-B1	AA		C
"	5-B1	AA		C
"	7-B2	AA		C
"	12-B1	AA		C
"	13-B2	AA		C
"	14-B1	AA		C
"	15-B2	AA		C
XEBSE30P10000	1-B3	AA		C
"	13-B3	AA		C
"	15-B3	AA		C
XHBSD30P06000	1-B4	AA		C
"	6-B1	AA		C
"	7-B1	AA		C
"	13-B4	AA		C
"	15-B4	AA		C
XHBSE30P06000	13-B6	AA		C
"	15-B6	AA		C
XHBSE30P10000	1-B5	AA		C
"	13-B7	AA		C
"	15-B7	AA		C
XRESJ50-06000	7-E1	AA		C
XUBSD20P06000	4-B1	AA		C
[O]				
OKW0957304001	9-6	AE		C
OKW0957551601	10-15	AG		C
OKW0972300901	9-1	AF		C
OKW0993204501	8-8	AC		C
OKW4109053103	8-12	BY		E
OKW4109075404	10-30	BD		C
OKW4109075501	11-44	BD		C
OKW4109075605	11-3	BC		E
OKW4109076001	11-48	BB		C
OKW4109201301	11-1	AF		C
OKW4109201502	11-4	AC		C

PARTS CODE	No.	PRICE RANK	NEW MARK	PART RANK
OKW4109202102	8-14	AD		C
OKW4109202201	11-2	AC		D
OKW4109202301	11-6	AD		D
OKW4109202401	8-13	AF		D
OKW4109203902	11-28	AG		C
OKW4109206001	11-31	AF		C
OKW4109250101	11-10	AL		C
OKW4109250201	11-11	AL		C
OKW4109250301	11-7	AH		C
OKW4109250401	11-30	AK		C
OKW4109250501	11-9	AF		C
OKW4109250601	11-13	AF		C
OKW4109250701	11-12	AF		C
OKW4109250801	11-26	AG		C
OKW4109251001	11-23	AF		C
OKW4109251101	11-27	AF		C
OKW4109251201	11-29	AL		C
OKW4109251401	11-14	AF		C
OKW4109251501	11-15	AD		C
OKW4109251601	11-25	AD		C
OKW4109251701	11-24	AF		C
OKW4109251801	11-21	AF		C
OKW4109251901	11-20	AF		C
OKW4109301003	9-16	AF		C
OKW4109301302	8-15	AD		C
OKW4109301412	9-13	AD		C
OKW4109301514	9-12	AD		C
OKW4109302005	8-5	AL		C
OKW4109302202	8-3	AC		C
OKW4109303301	9-11	AF		C
OKW4109303413	9-15	AF		C
OKW4109304103	9-23	AC		C
OKW4109305101	9-17	AD		C
OKW4109305201	9-21	AG		C
OKW4109350203	9-9	AH		C
OKW4109410301	11-42	BF		C
OKW4109410403	11-47	AH		C
OKW4109410703	11-45	AC		C
OKW4109410802	11-37	AC		C
OKW4109411102	11-40	AF		C
OKW4109411201	11-33	AD		C
OKW4109411403	11-46	AF		C
OKW4109411503	11-38	AF		C
OKW4109411702	11-41	AH		C
OKW4109411803	11-43	AD		C
OKW4109550101	10-23	BF		C
OKW4109550201	10-10	BD		C
OKW4109550312	10-20	AN		C
OKW4109550503	10-6	BA		C
OKW4109551201	10-11	AL		C
OKW4109551601	10-14	AC		C
OKW4109551701	10-3	AC		C
OKW4109551801	10-5	AF		C
OKW4109552101	10-12	AK		C
OKW4109552201	10-25	AL		C
OKW4109552402	10-19	AG		C
OKW4109552501	10-29	AG		C
OKW4109552601	10-26	AF		C
OKW4109553001	10-4	AC		C
OKW4109553301	10-13	AL		C
OKW4109554101	10-18	AD		C
OKW4109554201	10-21	AD		C
OKW4109554301	10-16	AD		C
OKW4109554401	10-22	AD		C
OKW4109555001	10-31	AQ		C
OKW4109620201	11-34	BR		E
"	22-901	BR		E
OKW4109630101	11-36	AN		C
OKW4109630201	10-17	AY		B
OKW4109650201	10-24	BB		B
OKW4109670101	10-27	AY		B
OKW4110075101	9-5	AT		C
OKW4110301801	9-10	AC		C
OKW4110350301	9-22	AC		C
OKW4110551101	10-7	AH		C
OKW4110553501	10-8	AH		C
OKW4110553601	10-9	AS		C
OKW4122010202	8-4	BD		E
"	23-901	BD		E
OKW4122020101	9-25	AG		C

SHARP

COPYRIGHT © 2000 BY SHARP CORPORATION

ALL RIGHTS RESERVED.

No part of this publication may be reproduced, stored in a retrieval system, or transmitted in any form or by any means, electronic, mechanical, photocopying, recording, or otherwise, without prior written permission of the publisher.

SHARP CORPORATION
Communication Systems Group
Quality & Reliability Control Center
Higashihiroshima, Hiroshima 739-0192, Japan
Printed in U.S.A.

A0001-2045SS•IS•T