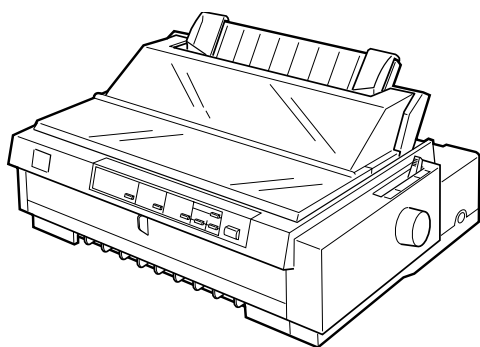


EPSON®



9-Pin Dot Matrix Printer

FX-980



Read your *User's Guide* first for complete instructions, and then use this guide any time you want to quickly find information about the topics on the right.

Quick Reference Guide

Contents

Loading Continuous Paper Onto the Rear Push Tractor 2

Loading Continuous Paper Onto the Front Push Tractor 4

Removing the Printed Document From the Push Tractor 6

Removing Continuous Paper With Labels 7

Replacing the Ribbon Cartridge 8

Clearing Paper Jams 13

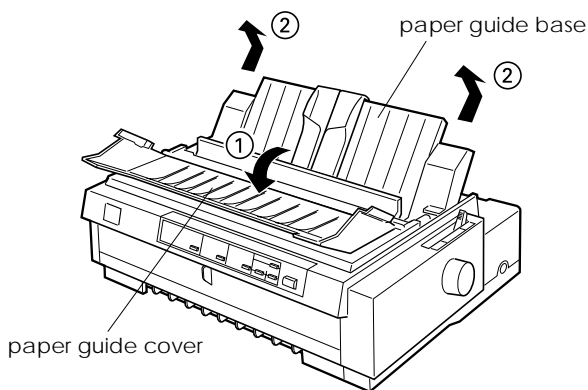
If Your Printer Stops Printing Unexpectedly 16

EPSON is a registered trademark of SEIKO EPSON CORPORATION. Other product names used herein are for identification purposes only and may be trademarks of their respective owners. EPSON disclaims any and all rights in those marks.

Loading Continuous Paper Onto the Rear Push Tractor

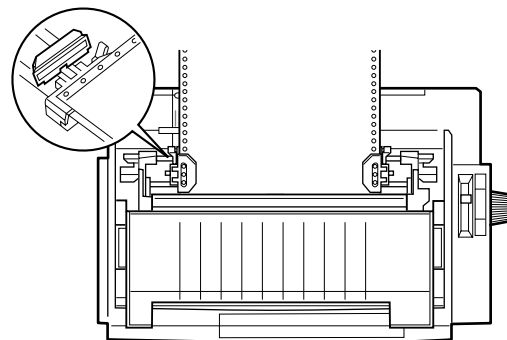
To load continuous paper onto the rear push tractor, follow these steps:

1



Open the paper guide cover and remove the paper guide base.

2



Open both sprocket covers, and fit the first three holes of the paper, printable side down, over the tractor pins. Then close the sprocket covers.

Note:
Load continuous paper that has a clean, straight edge to avoid paper jams.

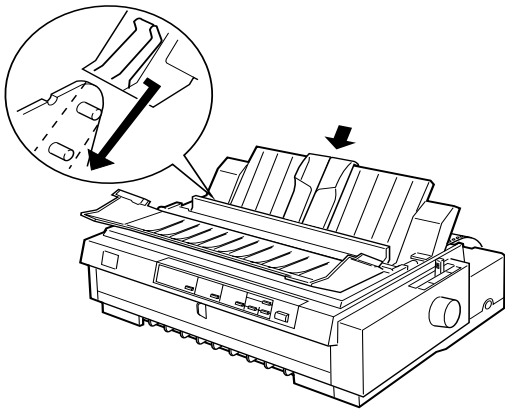


To feed continuous paper to the standby position where you can remove it easily, press the Load/Eject button.



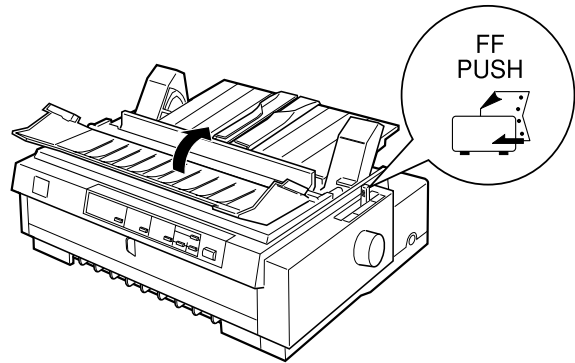
When you load continuous paper of a different size or thickness, adjust the position of the sprockets or change the paper thickness lever setting. See Chapter 2 of the *User's Guide* for instructions.

3



Attach the paper guide base, then lift the center section of the paper guide up and lay it flat.

4



Close the paper guide cover, and make sure the paper release lever is set to the rear push tractor position.

Note:
The printer cannot print when the printer cover is open.

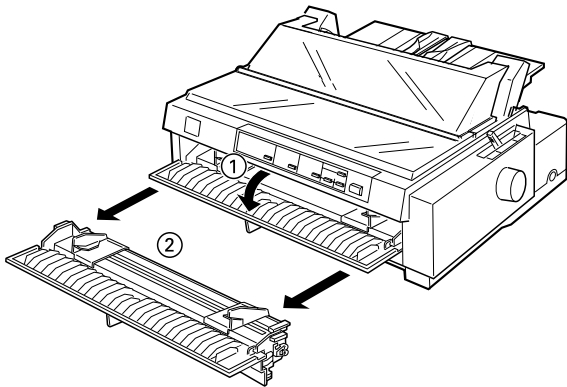
Loading Continuous Paper Onto the Front Push Tractor

To load continuous paper onto the front push tractor, follow these steps:

Note:

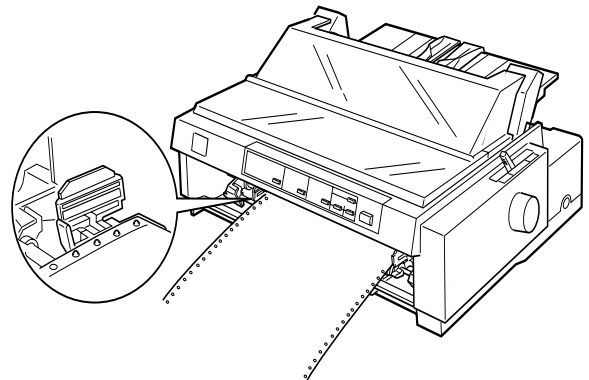
To use the front push tractor, install the tractor unit in the front position and load continuous paper in the front slot.

1



Open the front paper guide by pulling the tab in the center. Remove the guide by grasping both sides and pulling it straight out of the printer.

2



Open both sprocket covers and fit the first three holes of the paper, printable side up, over the tractor pins. Then close the sprocket covers.

Note:

Load continuous paper that has a clean, straight edge to avoid paper jams.

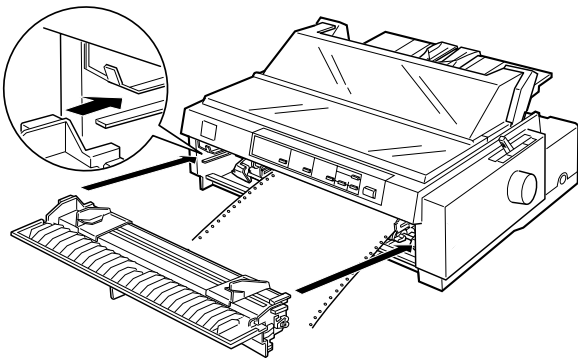


To feed continuous paper to the standby position where you can remove it easily, press the Load/Eject button.



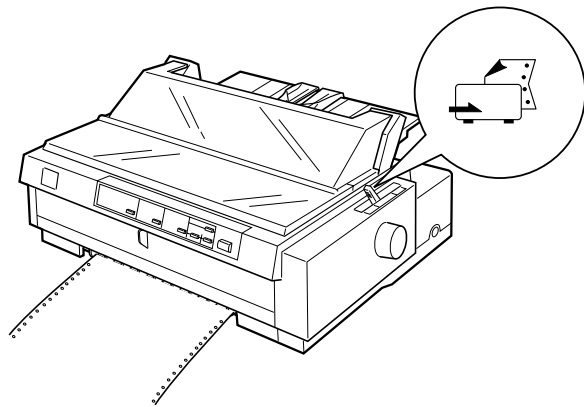
When you load continuous paper of a different size or thickness, adjust the position of the sprockets or change the paper thickness lever setting. See Chapter 2 of the *User's Guide* for instructions.

3



Attach the front paper guide by inserting it into the slots on each side of the printer as shown.

4



Close the front paper guide. Then set the paper release lever to the front push tractor position.

Note:
The printer cannot print when the printer cover is open.



When you load continuous paper with labels, set the auto tear-off mode to Off before you print. When fed backward, the labels can easily come off the backing sheet and jam the printer.



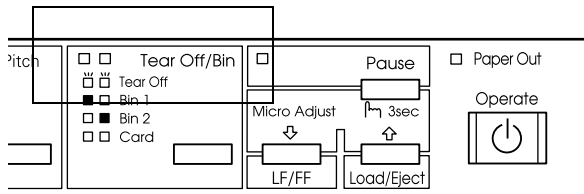
To turn off the auto tear-off mode, enter the printer's default-setting mode. See Chapter 5 of the *User's Guide* for instructions

Removing the Printed Document From the Push Tractor

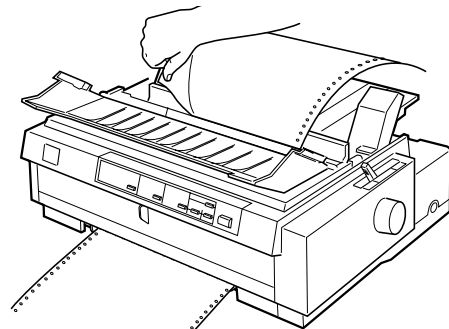
To remove the printed document from the front and rear push tractor, follow the steps below. To remove continuous paper from the optional pull tractor, see Chapter 2 of the *User's Guide*.

1

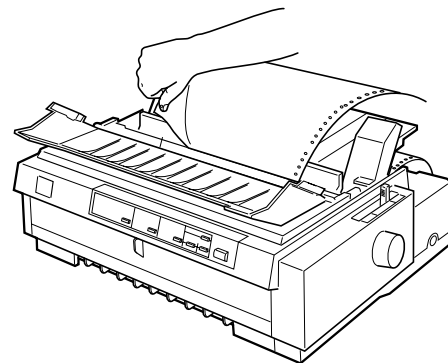
Make sure the Tear Off/Bin lights are flashing. (You may need to press the Tear Off/Bin button.) This indicates that your paper is at the current tear-off position.



2



from the front push tractor



from the rear push tractor

Open the paper path guide cover, and tear off the printed document using the printer's tear-off edge.



When you resume printing, the printer automatically feeds the paper backward to the top-of-form position, and begins printing.



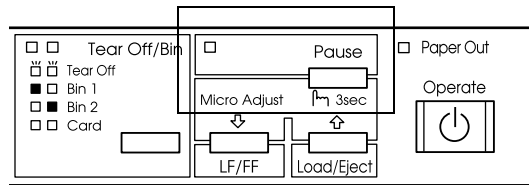
To feed continuous paper backward from the tear-off position into the standby position, press the Load/Eject button.

Removing Continuous Paper With Labels

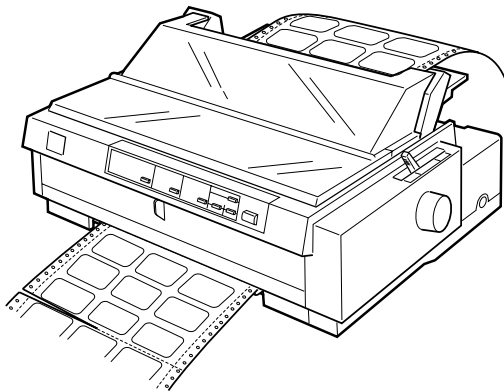
To avoid peeling labels off the backing sheet and jamming the printer, follow the steps below when you remove continuous paper with labels from the front push tractor.

1

Make sure that the printer is not printing. You may need to press the Pause button to pause the printer. (When the printer is paused, the Pause light is on.)



2



Tear off the supply of continuous labels at the perforation nearest the paper entry slot.

3

Hold down the LF/FF button to eject the remaining labels from the printer.



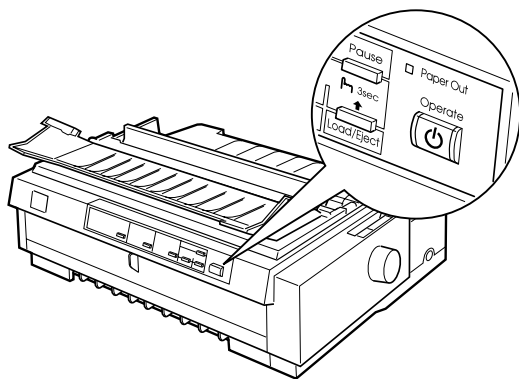
Caution: Never feed labels backward using the Load/Eject or Tear Off/Bin button. When fed backward, labels can easily come off the backing sheet and cause a paper jam.

Replacing the Ribbon Cartridge

Your printer uses an EPSON black ribbon cartridge S015091.

To replace the ribbon cartridge, follow the steps below.

1



Press the Operate button to turn off the printer. The printer is off when the surface of the Operate button is even with the button protectors as shown.

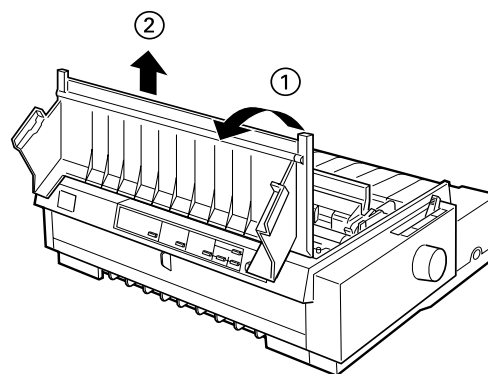


Caution:
Moving the print head while the printer is on may damage the printer.

2

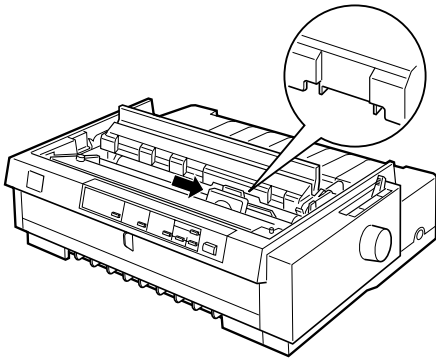
Unplug the printer from the electrical outlet.

3



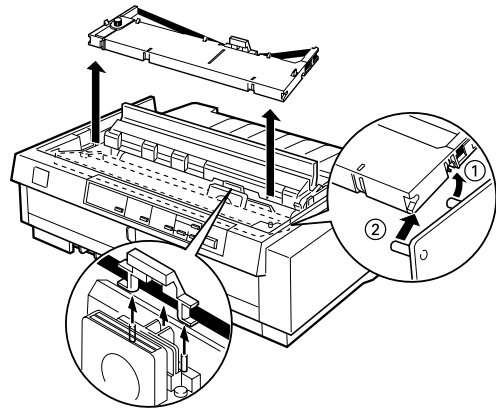
Open the paper guide cover. Then lift the printer cover by its back edge and pull it straight up and off.

4



Make sure the print head is not hot; if it is, let it cool for a few minutes before touching it. Then slide the print head to the ribbon installation position (the indented portion of the paper tension unit) by hand.

5



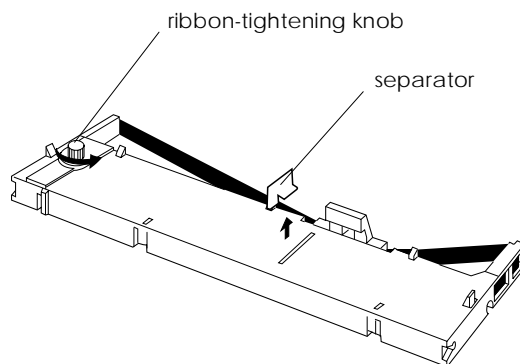
Grasp the used ribbon cartridge and pull it up and out of the printer.



If the pull tractor is installed, you can replace the ribbon cartridge when the print head is not in the ribbon installation position.

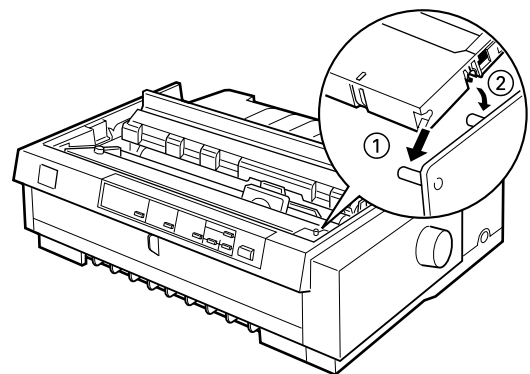
Replacing the Ribbon Cartridge

6



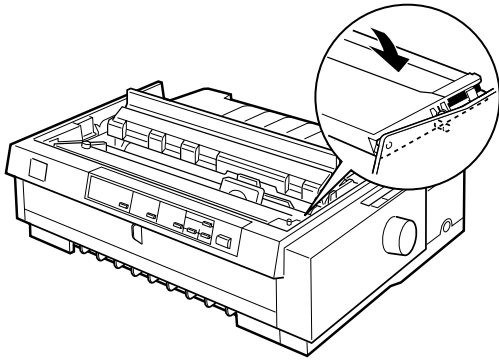
Remove the separator from the new ribbon cartridge and discard it. Then turn the ribbon-tightening knob in the direction of the arrow to remove any slack in the ribbon.

7



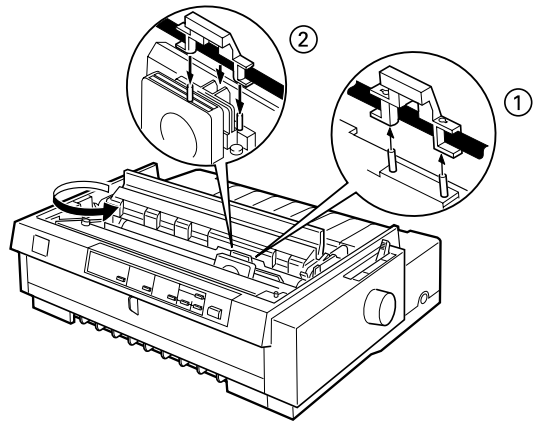
Hold the cartridge with the ribbon-tightening knob up. Fit the cartridge's two front notches (①) over the small pegs on each side of the printer as shown. Then lay the cartridge flat so that the rear notches (②) fit over the corresponding pegs.

8



Gently press down on the cartridge until both ends click into place.

9



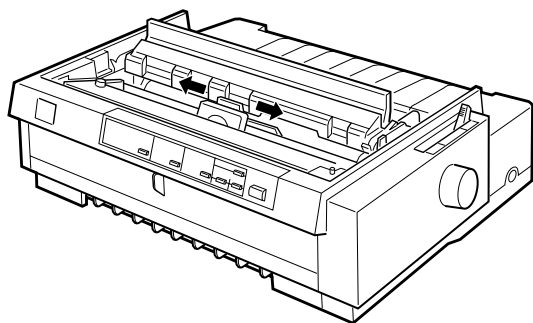
Lift the cartridge's ribbon guide (①) and insert it firmly over the metal pins behind the print head (②). Make sure the ribbon is not twisted or creased and that it is placed behind the print head. Then press down on the ribbon guide until it clicks into place.

10

Turn the ribbon-tightening knob in the direction of the arrow to remove any slack in the ribbon.

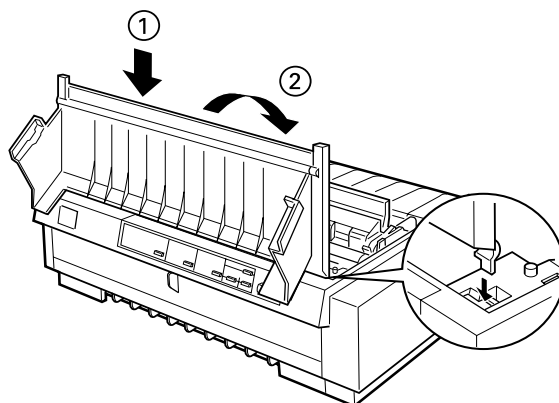
Replacing the Ribbon Cartridge

11



Slide the print head from side to side to make sure it moves smoothly.

12



Replace the printer cover and then close the paper guide cover.

Clearing Paper Jams

To clear a paper jam, follow these steps:

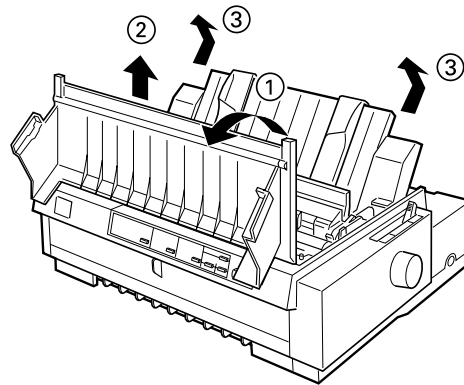
1

Press the Operate button to turn off the printer.

2

If an ejected sheet of paper is stuck on the paper guide, remove it.

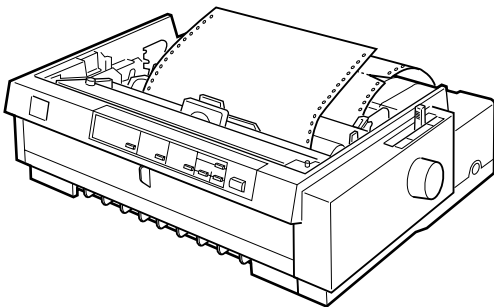
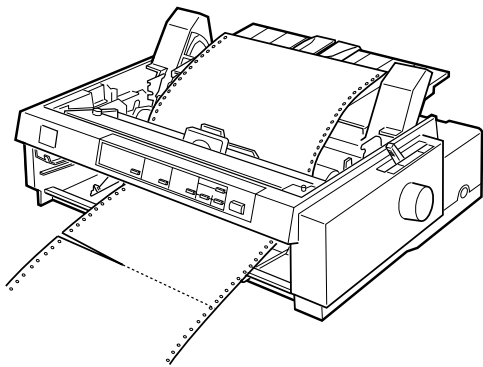
3



Remove the printer cover. If continuous paper is jammed in the rear slot, also remove the paper guide base.

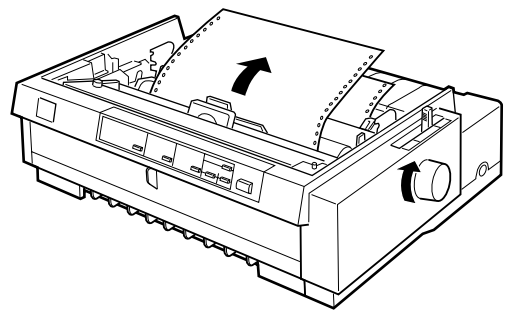
Clearing Paper Jams

4



If continuous paper is jammed inside the printer, tear off the supply at the perforation nearest the paper entry slot.

5



Turn the knob on the right side of the printer away from you to eject the paper in the printer. Remove any remaining pieces of paper.



Caution:

Use the knob to clear paper jams only when the printer is off. Otherwise, you may damage the printer or lose the top-of-form position or tear-off position.

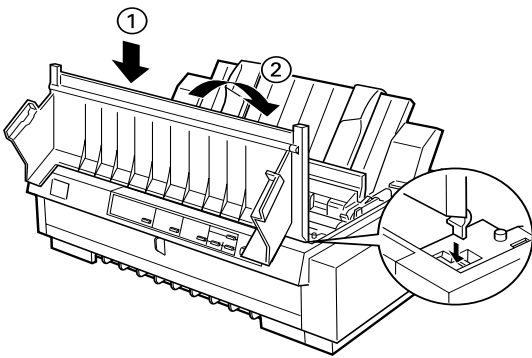
6

Attach the paper guide base, if necessary.

8

Press the Operate button to turn on the printer. Make sure the Paper Out and Pause lights are off.

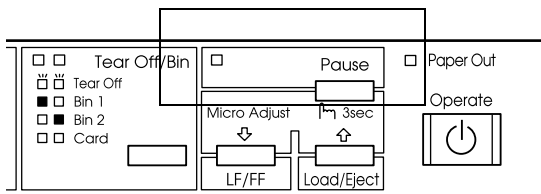
7



Replace the printer cover and then close the paper guide cover.

If Your Printer Stops Printing Unexpectedly...

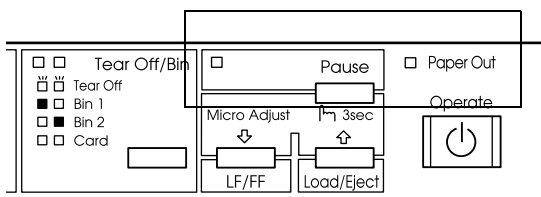
Check the printer's control panel lights and follow the appropriate instructions below. For more information, see Chapter 7 of your *User's Guide*.



The printer stops printing and the Pause light is on.

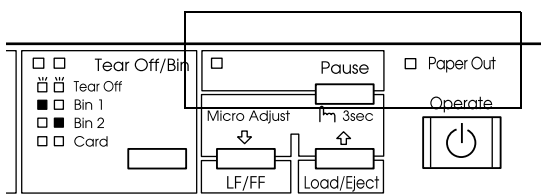
Cause	Solution
The printer is paused.	Press the Pause button to resume printing.
You moved the paper release lever while paper from another paper source was in the paper path.	Move the paper release lever back to the appropriate position and press the Load/Eject button to feed the paper out of the paper path. Then set the lever to the position you want to use. Press the Pause button to turn off the Pause light, if necessary.*

*If you are using the pull tractor, see your *User's Guide* for instructions.



The Paper Out and Pause lights are on.

Cause	Solution
No paper is loaded in the selected paper source or paper is not loaded correctly.	Load paper in the printer, then press the Pause button to turn off the Pause light, if necessary.
Paper is jammed in the printer.	See "Clearing Paper Jams" on page 10.



The Paper Out light is flashing and the Pause light is on.

Cause	Solution
Continuous paper is not fed to the standby position.	Tear off the printed document at the perforation; then press the Load/Eject button. The printer feeds the paper to the standby position. Press the Pause button to turn off the Pause light.
A single sheet of paper is not fully ejected.	Press the Load/Eject button to eject the sheet. Then press the Pause button to turn off the Pause light, if necessary.
Paper is jammed in the printer.	See "Clearing Paper Jams" on page 10.