



F-4330

PARTS LIST

Published in Jun.'00
3BD70770

NOTE

1. Indicate parts number and machine model when placing an order.

eg.	Parts Number	Parts Name	Machine Model	Cycle	Quantity
	3AK04520	FRONT COVER(KM)	F-4330	60Hz	1

2. Service calls and freight will be charged separately.

3. Symbols in the "Parts Number" column.

- Parts with "●" indicates the service parts and the parts without "●" can not be supplied.
- Parts with "•" are component parts or sub-assemblies of the assembly appearing immediately above them.

eg.	Parts Number	Parts Name	Parts Number	Parts Name
	3AK27510	WIRE, MIDDLE TRAY	•J0150900	CONTACTOR, 175161-1(AMP)
			•J0250900	SOCKET, BHF-001T-0.8SS

4. See the last page of this parts list for the classification of the screws in the illustrations.

5. Items indicated by shaded areas () are supply parts and should be ordered through your Regional Office.

Parts List

F-4330

CONTENTS

FIG.1 EXTERIOR COVERS	2
FIG.2 FRAMES	4
FIG.3 BIN SECTION	6
FIG.4 PAPER CONVEYING SECTION I	8
FIG.5 PAPER CONVEYING SECTION II	10
FIG.6 MIDDLE TRAY I	12
FIG.7 MIDDLE TRAY II	14
FIG.8 DRIVING SECTION I	16
FIG.9 DRIVING SECTION II	18
FIG.10 ELECTRICAL COMPONENTS I	20
FIG.11 ELECTRICAL COMPONENTS II	22
FIG.12 ACCESSORIES & OPTION	24
• INDEX	26

FIG. 1 EXTERIOR COVERS

3BD

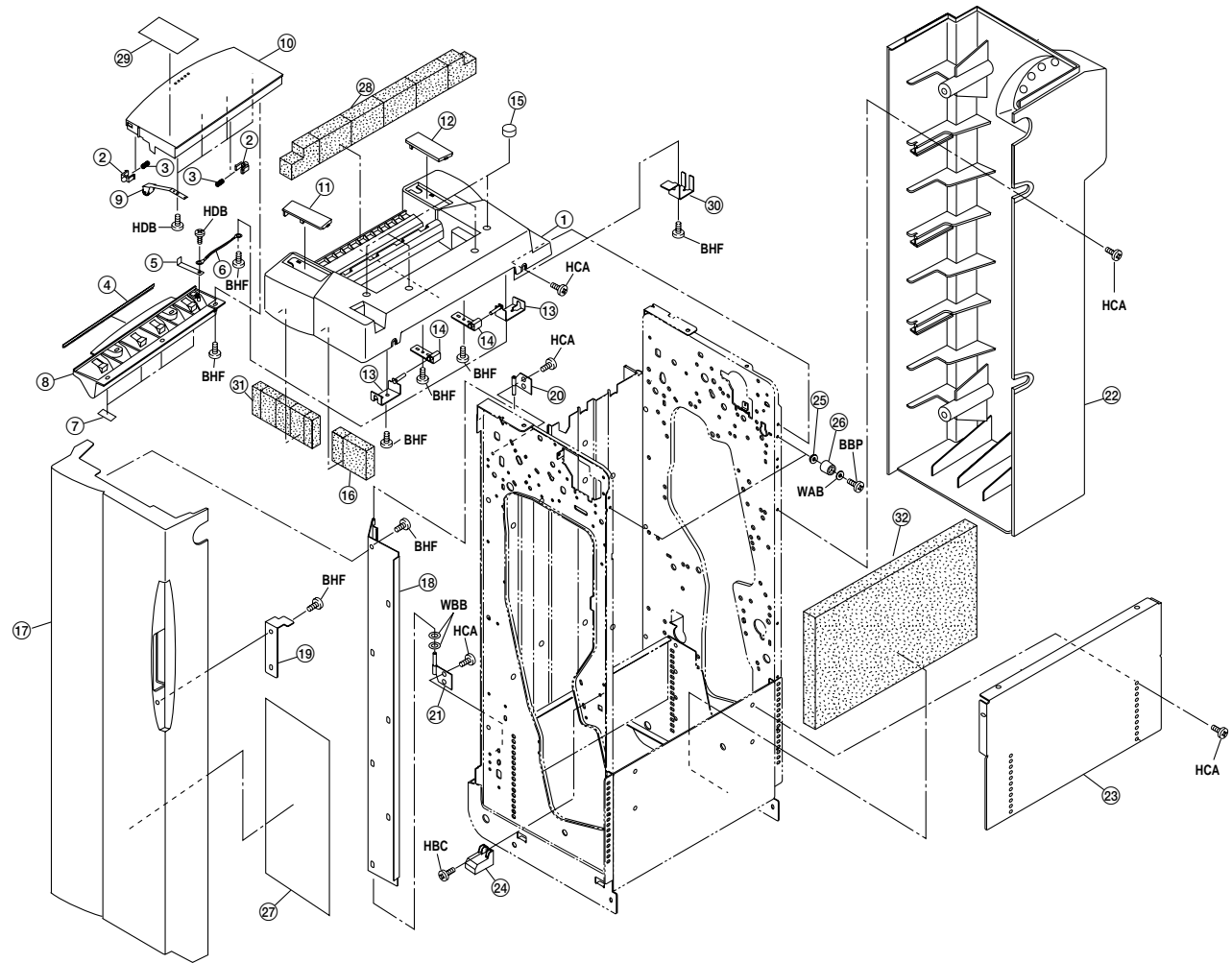
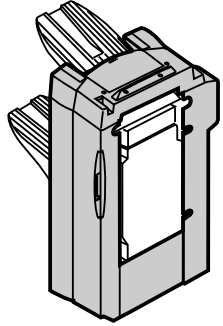


FIG. 1 EXTERIOR COVERS

3BD

SP	Ref. No.	Part. No.	Description	Quantity		
				120V	230V	240V
●	1	3AK04510	TOP COVER(KM)	1	1	1
	2	33906880	STOPPER,BYPASS TABLE	2	2	2
	3	65926530	SPRING,SAFETY SWITCH	2	2	2
●	4	63212210	STATIC ELIMINATOR,EJECT	1	1	1
	5	3AK16270	PLATE SPRING,EJECT GROUND	1	1	1
	6	63527200	GROUND WIRE,STATIC ELIMINATOR	1	1	1
	7	3AK16261	SHEET,EJECT	4	4	4
	8	3AK16220	GUIDE,EJECT	1	1	1
●	9	3AK00220	EJECT PULLEY ASS'Y	4	4	4
●	10	3AK04540	TOP COVER,RELEASE(KM)	1	1	1
●	11	3AK04570	FRONT LID, TOP COVER(KM)	1	1	1
●	12	3AK04580	REAR LID, TOP COVER(KM)	1	1	1
	13	3AK04130	FULCRUM PLATE, TOP COVER	2	2	2
	14	3AK04140	HINGE, TOP COVER	2	2	2
●	15	3AK05510	TOP LABEL, COVER(KM)	4	4	4
	16	3BD04040	TOP VIBRATION INSULATOR C, COVER	1	1	1
	17	3AK04520	FRONT COVER(KM)	1	1	1
	18	3AK04100	FRONT HINGE, COVER	1	1	1
	19	3AK04150	FRONT BASE, MAGNET	1	1	1
	20	3AK04110	UPPER FULCRUM PLATE, FRONT COVER	1	1	1
	21	3AK04120	UNDER FULCRUM PLATE, FRONT COVER	1	1	1
●	22	3AK04530	REAR COVER(KM)	1	1	1
●	23	3AK04070	RIGHT COVER	1	1	1
	24	3AK04160	GUIDE, FRONT COVER	1	1	1
	25	76508160	COLLAR ORIGINAL CONVEYING SECTION FRAME	2	2	2
	26	75402210	CUSHION STAY	2	2	2
●	27	3AK05020	LABEL, JAM REMOVAL	1	1	1
	28	3BD04030	TOP VIBRATION INSULATOR B, COVER	1	1	1
●	29	36805211	LABEL, OPERATION PAPER SET(USA)	1		
●	29	36805221	LABEL, OPERATION PAPER SET(EUR)		1	1
	30	3AK04180	TOP GROUND PLATE, COVER	1	1	1
	31	3BD04020	TOP VIBRATION INSULATOR A, COVER	1	1	1
	32	3BD04010	RIGHT VIBRATION INSULATOR, BASE	1	1	1

- Parts with "*" are component parts or sub-assemblies of the assembly appearing immediately above them.
- Parts with "●" indicates the Service parts.

FIG. 2 FRAMES

SP	Ref. No.	Part. No.	Description	Quantity		
				120V	230V	240V
	1	3AK20010	RAIL,MAIN TRAY	2	2	2
	2	3AK02220	SHAFT,BASE PULLEY	2	2	2
	3	3AK02080	PULLEY,FINISHER	2	2	2
	4	3AK02200	SLIDER,FINISHER	2	2	2
	5	3BD02040	MOUNT,SLIDER	1	1	1
	6	3AK02060	STAY,PARTITION	2	2	2
	7	3AK07350	SLIDER,MIDDLE	2	2	2
	8	3AK02070	STAY,MIDDLE TRAY	1	1	1
	9	M2109260	WIRE SADDLE,YMC-05-H-0(KITAGAWA)	2	2	2
	10	29820420	PIN,BEARING	2	2	2
	11	3AK02150	SHAFT,HOOK RELEASE	1	1	1
	12	3AK02160	HOOK,FINISHER RELEASE	2	2	2
	13	3AK02210	PLATE SPRING,HOOK RELEASE	2	2	2
	14	3BD02031	STAY,FEED IN	1	1	1
	15	3AK02170	WORK PLATE,HOOK RELEASE	1	1	1
	16	3AK02100	REINFORCEMENT,REAR COVER	1	1	1
	17	3AK07300	RETAINER,MIDDLE TRAY	1	1	1
	18	48128807	PIN,FRAME	2	2	2
	19	29407191	TENSION SPRING,PF	1	1	1
	20	48128609	PIN,UPPER FRONT COVER	2	2	2
	21	3AK02140	GUIDE,FINISHER RELEASE	2	2	2
	22	3AK12320	GUIDE,DISPOSAL TANK	1	1	1
	23	3AK12340	MOUNT,DISPOSAL TANK	2	2	2
●	24	18327140	SWITCH,PARTITION	1	1	1
●	25	3AK00310	DISPOSAL TANK ASS'Y	1	1	1
●	26	3AK05030	LABEL,PUNCH DISPOSAL	1	1	1
	27	M2109230	WIRE SADDLE,LWS-3S(KITAGAWA)	2	2	2
	28	3AK02230	SPONGE,BASE	2	2	2
	29	48127502	PIN,SEPARATION PULLEY	1	1	1
	30	36802270	REINFORCEMENT,RELEASE LEVER	1	1	1
	31	36804130	LEVER,RELEASE	1	1	1
	32	3AK02130	MOUNT,RELEASE LEVER	1	1	1
	33	3AK02180	JUNCTION PLATE,RELEASE LEVER	1	1	1
	34	M1203220	OPEN BUSHING,OCB-625	1	1	1
	35	M1203510	OPEN BUSHING,OCB-1000	1	1	1
	36	M2104200	EDGING EDS-1	1	1	1
	37	75914020	RELEASE SPRING MAIN DEVELOPING UNIT	2	2	2
	38	3AK02040	BASE,FINISHER	1	1	1
	39	3AK02240	PULLEY,SORTER	1	1	1
	40	3AK02250	SHAFT,CONVEYING SUPPORT PLATE	1	1	1

3BD

SP	Ref. No.	Part. No.	Description	Quantity		
				120V	230V	240V
	41	3AK02030	PARTITION,FINISHER	1	1	1
	42	3BD02010	FRONT FRAME	1	1	1
	43	3BD02020	REAR FRAME	1	1	1

- Parts with "*" are component parts or sub-assemblies of the assembly appearing immediately above them.
- Parts with "●" indicates the Service parts.

FIG. 3 BIN SECTION

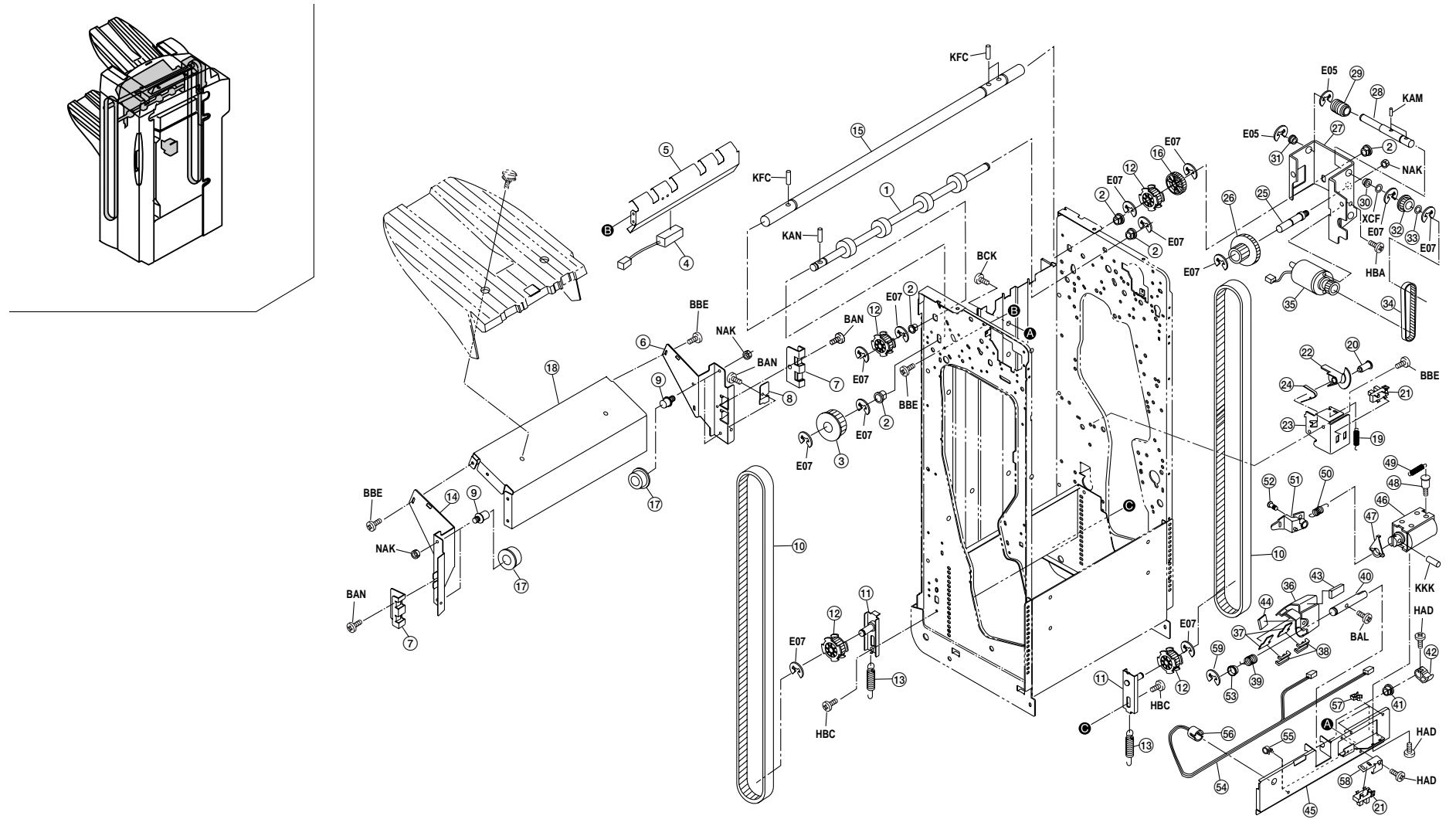


FIG. 3 BIN SECTION

SP	Ref. No.	Part. No.	Description	Quantity		
				120V	230V	240V
●	1	3AK06010	ROLLER,EJECT MAIN	1	1	1
	2	49021100	BUSHING	5	5	5
	3	3BD22050	PULLEY 27, SORT EJECT	1	1	1
●	4	71807711	SWITCH, DUPLEX PAPER	1	1	1
	5	3AK06030	LOWER GUIDE, MAIN EJECT	1	1	1
	6	3AK20030	REAR FRAME, MAIN TRAY	1	1	1
	7	3AK20050	HOLDER, TIMING BELT	2	2	2
	8	3AK20140	DETECTION PLATE, MAIN TRAY	1	1	1
	9	3AK20180	PIN, MAIN TRAY	4	4	4
	10	3AK20210	BELT, TRAY LIFT	2	2	2
	11	3AK20060	TENSION PLATE, MAIN TRAY	2	2	2
	12	3AK20230	PULLEY 20S5M	4	4	4
	13	19020050	SPRING, PRESSURE	2	2	2
	14	3AK20020	FRONT FRAME, MAIN TRAY	1	1	1
	15	3AK20070	SHAFT, MAIN TRAY DRIVE	1	1	1
	16	3AK20090	GEAR 51	1	1	1
	17	3AK20200	PULLEY, MAIN TRAY	4	4	4
	18	3AK20040	SUPPORT PLATE, MAIN TRAY	1	1	1
	19	3AK20250	SPRING, MAIN TRAY SENSOR MIDDLE	1	1	1
	20	29802230	PIN, CONNECTOR	1	1	1
●	21	35327400	SWITCH, FEED	2	2	2
	22	3AK20150	DETECTION PLATE, MAIN TRAY SENSOR MIDDLE	1	1	1
	23	3AK20160	MOUNT, MAIN TRAY SENSOR MIDDLE	1	1	1
	24	3AK20170	FILM, MAIN TRAY SENSOR	1	1	1
	25	3AK20120	SHAFT 18/50	1	1	1
	26	3AK20080	GEAR 18/50	1	1	1
	27	3AK20100	MOUNT, MAIN TRAY DRIVE	1	1	1
	28	3AK20110	SHAFT, WORM	1	1	1
	29	3AK20130	GEAR, WORM MAIN TRAY	1	1	1
	30	49028101	BUSH 8	1	1	1
	31	74808080	BEARING, 686ZZNR	1	1	1
	32	63416200	PULLEY 34, CONVEYING	1	1	1
	33	78918290	FLANGE PULLEY 27	1	1	1
	34	3AK20220	BELT, TRAY DRIVE	1	1	1
	35	3AK27010	MOTOR, MAIN TRAY	1	1	1
	36	3AK06050	HOLDER, MAIN EJECT	1	1	1
●	37	63213261	PAD, EJECT ORIGINAL HOLDER	2	2	2
	38	63213300	RETAINER, EJECT ORIGINAL HOLDER	2	2	2
	39	3AK06100	SPRING, HOLDER MAIN EJECT RESET	1	1	1
	40	3AK06080	SHAFT, HOLDER MAIN EJECT	1	1	1

3BD

SP	Ref. No.	Part. No.	Description	Quantity		
				120V	230V	240V
	41	73210450	BUSH, 6	1	1	1
	42	3AK06070	LEVER B, HOLDER MAIN EJECT	1	1	1
	43	63213320	CUSHION, ORIGINAL COLLECTION	1	1	1
	44	3AK08480	CUSHION, FEED SHIFT GUIDE	1	1	1
	45	3AK02090	STAY, MAIN EJECT	1	1	1
●	46	68727090	SOLENOID, REFEED	1	1	1
	47	3AK06150	STOPPER, SOLENOID	1	1	1
	48	73912281	PIN, ORIGINAL HOLDER	1	1	1
	49	33420250	SPRING, FIXING CLAW	1	1	1
	50	3AK06090	SPRING, HOLDER MAIN EJECT PULL	1	1	1
	51	3AK06060	LEVER A, HOLDER MAIN EJECT	1	1	1
	52	48127502	PIN, SEPARATION PULLEY	1	1	1
	53	76514080	BUSHING 6 DRIVE	1	1	1
	54	3BD27540	JUNCTION WIRING, TRAILING EDGE HOLDER SOLENOID	1	1	1
	55	M2107120	BINDING BAND SG-130	2	2	2
	56	M1203240	OPEN BUSHING, OCB-500	1	1	1
	57	M2109260	WIRE SADDLE, YMC-05-H-0(KITAGAWA)	3	3	3
	58	3BD06010	MOUNT, MAIN EJECT PI	1	1	1
	59	34806140	STOPPER 4	1	1	1

- Parts with "*" are component parts or sub-assemblies of the assembly appearing immediately above them.
- Parts with "●" indicates the Service parts.

FIG. 4 PAPER CONVEYING SECTION I

3BD

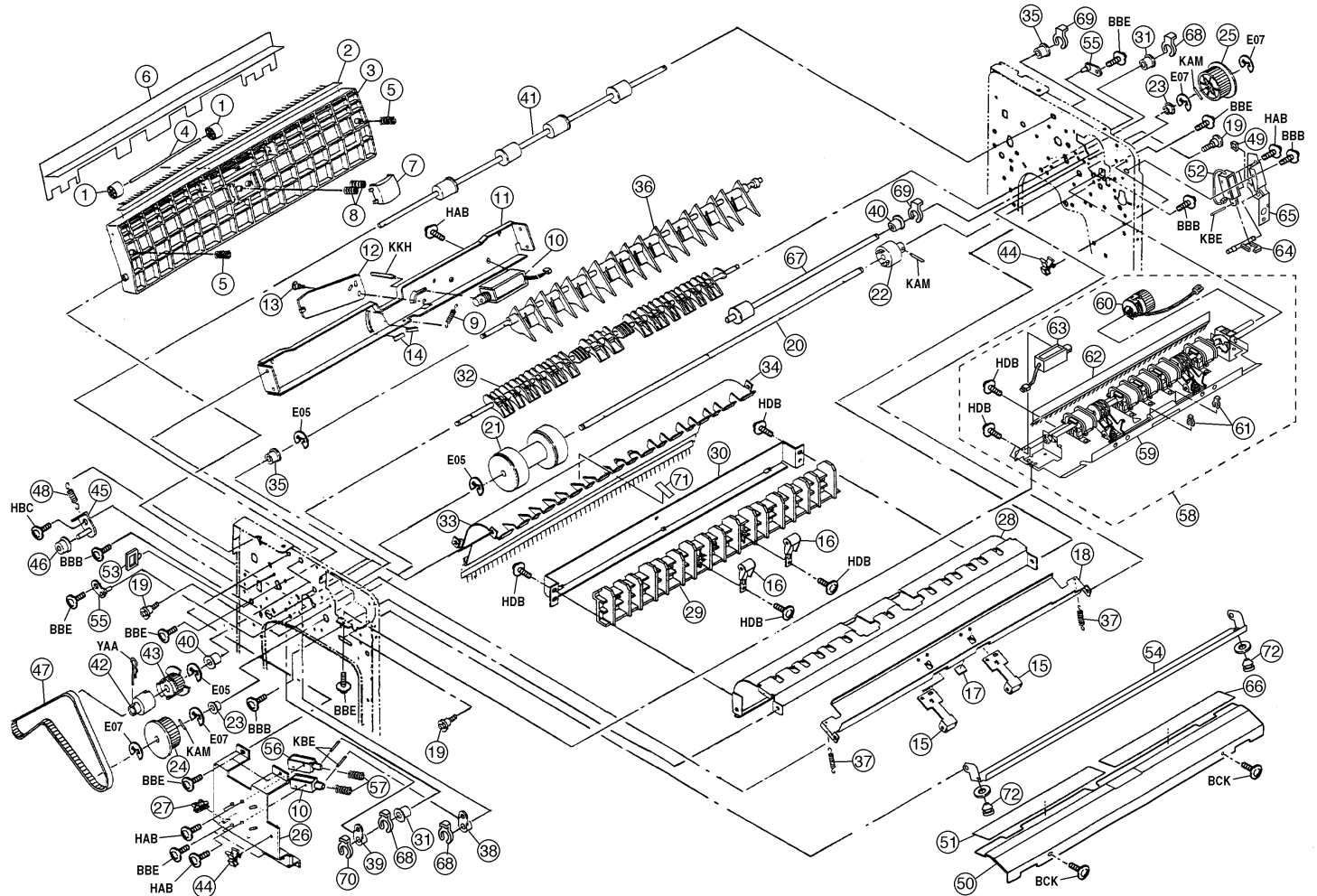
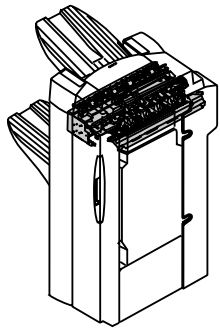


FIG. 4 PAPER CONVEYING SECTION I

SP	Ref. No.	Part. No.	Description	Quantity		
				120V	230V	240V
●	1	62221110	PULLEY,FEEDBACK	2	2	2
	2	63212210	STATIC ELIMINATOR,EJECT	1	1	1
	3	3AK06020	UPPER GUIDE,MAIN EJECT	1	1	1
	4	3AK06040	SHAFT,MAIN EJECT PULLEY	1	1	1
	5	3AK06120	SPRING,MAIN EJECT	2	2	2
	6	3BD06020	GUIDE,MAIN EJECT(METRIC)	1	1	1
	6	3AK06143	FILM,MAIN EJECT(INCH)	1		
	7	3AK06180	HOLDER,MAIN EJECT PRESSURE	1	1	1
	8	3AK06190	SPRING,MAIN EJECT PRESSURE	2	2	2
	9	33420250	SPRING,FIXING CLAW	1	1	1
●	10	62227070	SOLENOID B,FEED SHIFT	2	2	2
	11	3AK06160	MOUNT,MAIN EJECT PRESSURE	1	1	1
	12	3AK06172	TURN PLATE,MAIN EJECT PRESSURE	1	1	1
	13	48127502	PIN,SEPARATION PULLEY	1	1	1
	14	63213320	CUSHION,ORIGINAL COLLECTION	2	2	2
●	15	3AK68030	UPPER CONVEYING PULLEY ASS'Y	2	2	2
●	16	3AK68040	LOWER CONVEYING PULLEY ASS'Y	2	2	2
	17	78710370	CUSHION UPPER LOOP	1	1	1
	18	3AK16070	UPPER GUIDE,CONVEYING	1	1	1
	19	29820420	PIN,BEARING	3	3	3
	20	3BD22020	SHAFT,CONVEYING PULLEY	1	1	1
●	21	3AK16030	PULLEY,CONVEYING	1	1	1
●	22	3AK16240	TORQUE LIMITER,MIDDLE DRIVE	1	1	1
	23	67322230	BUSHING 8	2	2	2
	24	3AK22040	PULLEY 40,FEED IN	1	1	1
	25	3BD22040	PULLEY 31,CONVEYING ROLLER	1	1	1
	26	3AK16150	MOUNT,CONVEYING SOLENOID	1	1	1
	27	M2104350	EDGING,EDS-0607M(KITAGAWA)	1	1	1
	28	3AK16080	LOWER GUIDE,CONVEYING	1	1	1
	29	3AK16100	GUIDE,CONVEYING	1	1	1
	30	3AK16250	REINFORCEMENT,CONVEYING GUIDE	1	1	1
	31	72914140	REAR BUSHING,TONER RECYCLE	2	2	2
	32	3AK16120	LOWER CLAW,CONVEYING	1	1	1
●	33	75416230	STATIC ELIMINATOR SORT BIN	1	1	1
	34	3AK16090	LEFT GUIDE,CONVEYING	1	1	1
	35	29806560	BUSHING 6	2	2	2
	36	3AK16110	UPPER SEPARATION CLAW,CONVEYING	1	1	1
	37	71907120	SPRING,DUPLEX STOPPER	2	2	2
	38	3AK16130	UPPER LEVER,CONVEYING	1	1	1
	39	3AK16140	LOWER LEVER,CONVEYING	1	1	1

3BD

SP	Ref. No.	Part. No.	Description	Quantity		
				120V	230V	240V
	40	73210450	BUSH, 6	2	2	2
●	41	3AK16010	ROLLER,EJECT SUB	1	1	1
●	42	33906070	TORQUE LIMITER,PAPER FEED	1	1	1
	43	3AK08230	PULLEY 20,COUPLING	1	1	1
	44	M2109260	WIRE SADDLE,YMC-05-H-0(KITAGAWA)	2	2	2
	45	3AK22160	TENSION PLATE,LEADING REGISTRATION	1	1	1
	46	48928800	PULLEY,TIMING BELT	1	1	1
●	47	3BD22180	BELT,EJECT DRIVE	1	1	1
	48	48529303	SPRING,TENSION	1	1	1
	49	M2104260	EDGING,EDS-0607U(KITAGAWA)	1	1	1
	50	3BD16041	LOWER GUIDE,FEED IN	1	1	1
	51	3BD16050	LEFT SHEET A,FEED IN	1	1	1
●	52	18327200	SOLENOID,PARTITION DRIVE	1	1	1
	53	M2109230	WIRE SADDLE,LWS-3S(KITAGAWA)	1	1	1
	54	3BD16010	UPPER GUIDE,FEED IN	1	1	1
	55	63202120	SUPPORT PLATE,COVER	2	2	2
	56	18327130	SOLENOID,STOPPER	1	1	1
	57	73226040	SPRING,REVERSE SOLENOID	2	2	2
●	58	3BD00051	PUNCH ASS'Y(METRIC)	1	1	1
●	58	3BD00061	PUNCH ASS'Y(INCH)	1		
	59	*3BD12010	UNIT,PUNCH(METRIC)		1	1
	59	*3BD12020	UNIT,PUNCH(INCH)	1		
	60	*3BD12040	CLUTCH,PUNCH	1	1	1
	61	*65016080	STOP RING E3	2	2	2
	62	*66220160	STATIC ELIMINATOR,PRESSURE ROLLER	1	1	1
●	63	*66827020	SOLENOID,FEED	1	1	1
	64	3BD16021	LEVER,FEED IN	1	1	1
	65	3BD16030	MOUNT,SOLENOID	1	1	1
	66	3BD16060	LEFT SHEET B,FEED IN	1	1	1
●	67	3BD16071	ROLLER,FEED IN	1	1	1
	68	34806140	STOPPER 4	3	3	3
	69	34806150	STOPPER 5	2	2	2
	70	65016080	STOP RING E3	1	1	1
	71	3AK05080	LABEL,TRAILING EDGE STANDARD		1	1
	72	73202040	RUBBER,SPACER	2	2	2

- Parts with "*" are component parts or sub-assemblies of the assembly appearing immediately above them.
- Parts with "●" indicates the Service parts.

FIG. 5 PAPER CONVEYING SECTION II

3BD

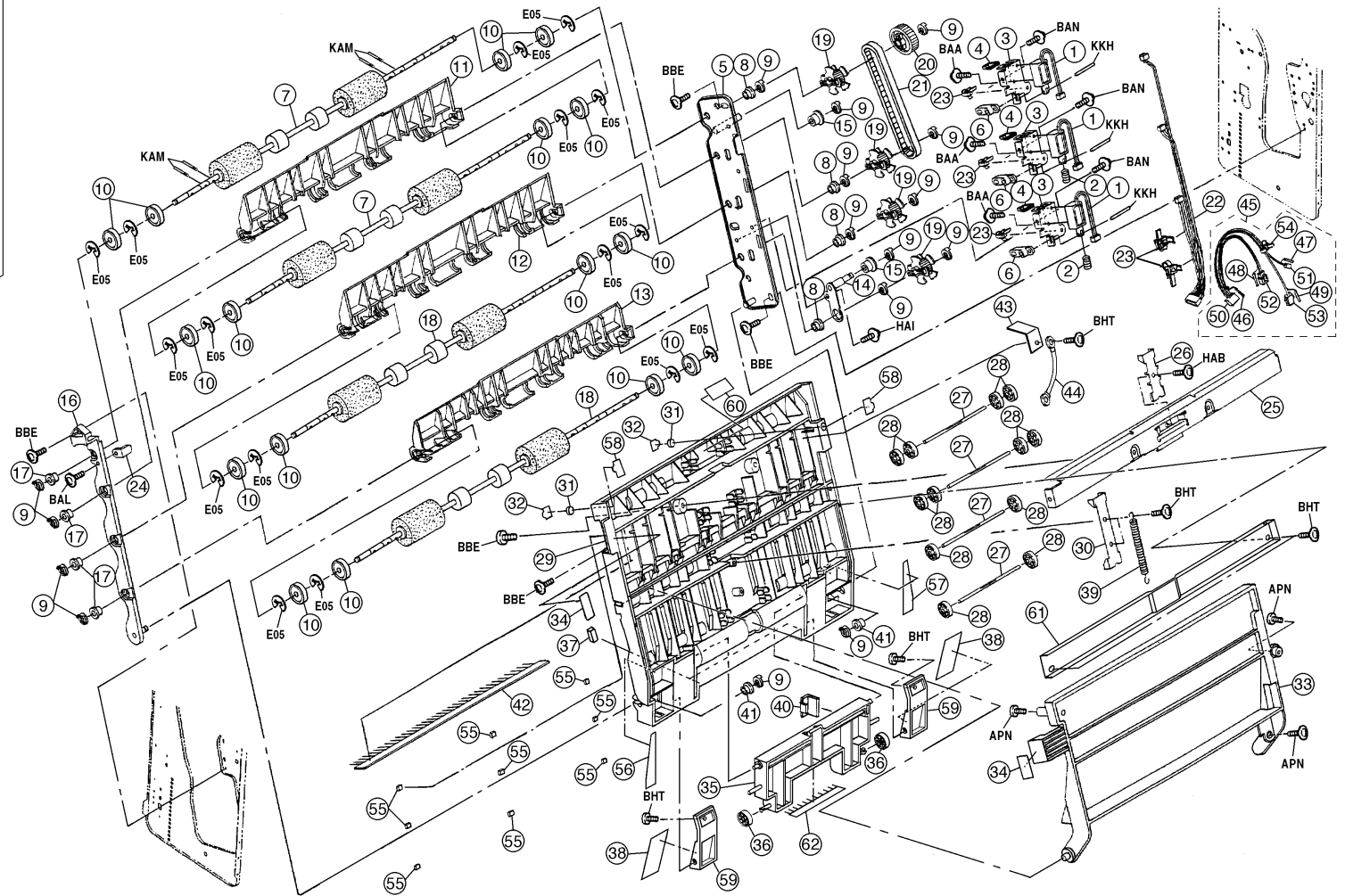
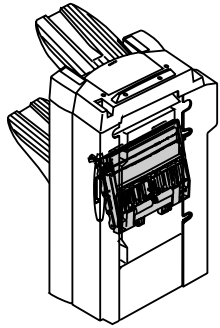


FIG. 5 PAPER CONVEYING SECTION II

SP	Ref. No.	Part. No.	Description	Quantity		
				120V	230V	240V
●	1	3AK27040	SOLENOID,PADDLE	3	3	3
	2	73226040	SPRING,REVERSE SOLENOID	2	2	2
	3	3AK08201	MOUNT,FEED SHIFT SOLENOID	3	3	3
	4	M2104200	EDGING EDS-1	3	3	3
	5	3AK08021	REAR FRAME,FEED SHIFT(METRIC)		1	1
	5	3AK08090	REAR FRAME,FEED SHIFT(INCH)	1		
	6	3BD08060	LEVER,FEED SHIFT SOLENOID	3	3	3
●	7	3BD08040	ROLLER B,FEED SHIFT	2	2	2
	8	29806810	BUSHING,6 REGISTRATION	4	4	4
	9	34806150	STOPPER 5	15	16	16
●	10	3AK08410	ROLLER,EJECT AUXILIARY	16	16	16
	11	3AK08034	GUIDE A3,FEED SHIFT		1	1
	11	3AK08294	GUIDE 17,FEED SHIFT	1		
	12	3AK08044	GUIDE B4,FEED SHIFT		1	1
	12	3AK08104	GUIDE 14,FEED SHIFT	1		
	13	3AK08053	GUIDE A4R,FEED SHIFT		1	1
	13	3AK08113	GUIDE 11,FEED SHIFT	1		
	14	3AK08210	TENSION PLATE,FEED SHIFT	1	1	1
	15	48928800	PULLEY,TIMING BELT	1	2	2
	16	3AK08012	FRONT FRAME,FEED SHIFT(METRIC)		1	1
	16	3AK08081	FRONT FRAME,FEED SHIFT(INCH)	1		
	17	29806560	BUSHING 6	4	4	4
●	18	3BD08030	ROLLER A,FEED SHIFT	2	2	2
	19	3AK08230	PULLEY 20,COUPLING	4	4	4
	20	3BD22250	GEAR 17,FEED SHIFT ROLLER	1	1	1
	21	3AK08320	UPPER BELT,FEED SHIFT(METRIC)		1	1
	21	3AK08330	UPPER BELT,FEED SHIFT(INCH)	1		
	22	3AK27540	JUNCTION WIRING,PADDLE SOLENOID	1	1	1
	23	M2107120	BINDING BAND SG-130	5	5	5
	24	3AK08390	BASE,MAGNET FEED SHIFT	1	1	1
	25	3AK08170	REINFORCEMENT,FEED SHIFT GUIDE	1	1	1
	26	3AK08380	PLATE SPRING,FEED SHIFT PULLEY(METRIC B)		1	1
	26	3AK08160	PLATE SPRING,FEED SHIFT PULLEY	1		
	27	3AK08150	UPPER SHAFT,FEED SHIFT	4	4	4
●	28	3BD08050	PULLEY,FEED SHIFT	12	12	12
	29	3AK08064	UPPER GUIDE,FEED SHIFT(METRIC)		1	1
	29	3AK08124	UPPER GUIDE,FEED SHIFT(INCH)	1		
	30	3AK08070	PLATE SPRING,FEED SHIFT PULLEY(METRIC)	1	1	1
	30	3AK08130	PLATE SPRING,FEED SHIFT PULLEY(INCH)	1		
	31	3AK08371	MAGNET,FEED SHIFT	2	2	2

3BD

SP	Ref. No.	Part. No.	Description	Quantity		
				120V	230V	240V
	32	3AK08420	SEAL,MAGNET FEED SHIFT	2	2	2
	33	3AK08182	GUIDE,FEED SHIFT SUB	1	1	1
●	34	3AK05050	LABEL,FEED SHIFT GUIDE	2	2	2
	35	3AK08240	TURN PLATE,STACK AUXILIARY	1	1	1
	36	62221110	PULLEY,FEEDBACK	2	2	2
	37	61715570	SPONGE,SOLENOID	2	2	2
	38	3AK08590	FILM,GUIDE PAPER EDGE	2	2	2
	39	36807290	SPRING,STOPPER MIDDLE TRAY	1	1	1
	40	3AK08430	SPACER,TURN	1	1	1
	41	76514080	BUSHING 6 DRIVE	2	2	2
●	42	18393020	PARTS,STATIC ELIMINATOR EJECT(SP)	1	1	1
	43	3AK08450	PLATE SPRING,GROUND WIRE FEED SHIFT	1	1	1
	44	63568070	GROUND WIRE,FEED ROLLER	1	1	1
	45	3AK27560	JUNCTION WIRING,PAPER REGISTRATION SOLENOID	1	1	1
	46	●J0452900	PIN,DF3-EP2428PC(HIROSE)	7	7	7
	47	●J0450900	SOCKET,DF3-2428SC(HIROSE)	2	2	2
	48	●J0242900	PIN SM,BYP-001T-0.6	3	3	3
	49	●J0250900	SOCKET,BHF-001T-0.8SS	2	2	2
	50	●J0453070	PRUG,DF3-7EP-2C(HIROSE)	1	1	1
	51	●J0450020	PLUG,DF3-2S-2C(HIROSE)	1	1	1
	52	●J0243030	RECEPTACLE SM 3P,SMR-03V-B	1	1	1
	53	●J0241020	PLUG SM 2P,SMP-02V-BC	1	1	1
	54	●M2607010	BINDING BAND,PLT1M	1	1	1
	55	3AK08480	CUSHION,FEED SHIFT GUIDE	9	9	9
	56	3AK08490	FRONT FILM,PAPER EDGE GUIDE	1	1	1
	57	3AK08500	REAR FILM,PAPER EDGE GUIDE	1	1	1
	58	3AK08570	LID,MAGNET	2	2	2
	59	3AK08580	GUIDE,PAPER EDGE	2	2	2
	60	3AK08560	FILM,PLATE SPRING GUIDE FILM	1		
	61	3BD08070	LOWER REINFORCEMENT,FEED SHIFT GUIDE	1	1	1
	62	18312330	STATIC ELIMINATOR B,EJECT	1	1	1

- Parts with "*" are component parts or sub-assemblies of the assembly appearing immediately above them.
- Parts with "●" indicates the Service parts.

FIG. 6 MIDDLE TRAY I

3BD

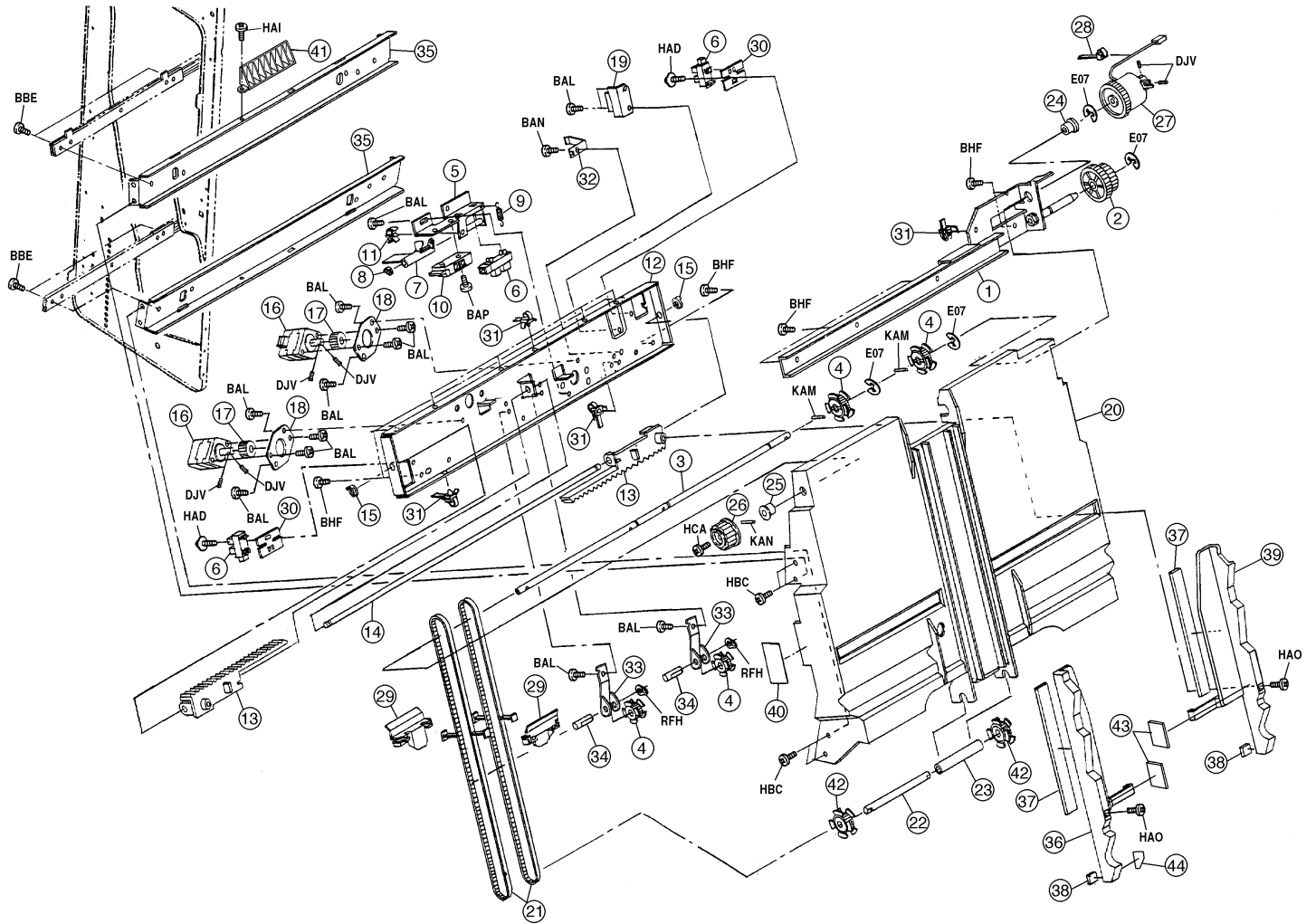
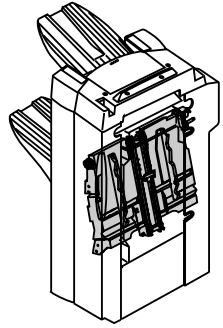


FIG. 6 MIDDLE TRAY I

SP	Ref. No.	Part. No.	Description	Quantity		
				120V	230V	240V
	1	3BD07010	MOUNT,MIDDLE DRIVE	1	1	1
	2	3BD07030	GEAR 24/33,IDLE	1	1	1
	3	3BD07020	SHAFT,MIDDLE DRIVE	1	1	1
	4	3AK07230	PULLEY 20S3M	4	4	4
	5	3AK07240	MOUNT,MIDDLE BELT SW	1	1	1
●	6	35327400	SWITCH,FEED	3	3	3
	7	3AK07250	LEVER,MIDDLE BELT SW	1	1	1
	8	65016080	STOP RING E3	1	1	1
	9	63822350	SPRING,JOINT	1	1	1
●	10	78727110	JAM DETECTION SWITCH	1	1	1
	11	M2109260	WIRE SADDLE,YMC-05-H-0(KITAGAWA)	1	1	1
	12	3AK07060	MOUNT,CURSOR	1	1	1
	13	3AK07050	RACK,MIDDLE	2	2	2
	14	3AK07070	SHAFT,MIDDLE GUIDE	1	1	1
	15	63511220	STOP RING,4	2	2	2
●	16	18393080	PARTS,MOTOR MOVING(SP)	2	2	2
	17	3AK07080	GEAR,CURSOR MOTOR	2	2	2
	18	3AK07310	RETAINER,CURSOR MOTOR	2	2	2
	19	60804120	MAGNET CATCH	1	1	1
●	20	3AK07010	TRAY,MIDDLE	1	1	1
	21	3AK07150	BELT,MIDDLE CONVEYING	1	1	1
	22	3AK07200	SHAFT,MIDDLE IDLE	1	1	1
	23	3AK07330	COLLAR,PULLEY RETAINING	1	1	1
	24	67322230	BUSHING 8	1	1	1
	25	49028112	BUSHING 8,LOWER REG.ROLLER	1	1	1
	26	33406500	HANDLE,REGISTRATION	1	1	1
●	27	3BD07050	CLUTCH,MIDDLE TRAY	1	1	1
	28	M2607010	BINDING BAND,PLT1M	1	1	1
	29	3AK07160	MOVING PLATE,MIDDLE CONVEYING	2	2	2
	30	3AK07090	MOUNT,MIDDLE PI	2	2	2
	31	M2107120	BINDING BAND SG-130	8	8	8
	32	18313150	GROUND PLATE,PARTITION	1	1	1
	33	3BD07060	TENSION PLATE,MIDDLE CONVEYING	2	2	2
	34	3AK07220	SHAFT,MIDDLE TENSION	2	2	2
	35	3AK07021	MOUNT,MIDDLE SLIDER	2	2	2
	36	3AK07031	FRONT CURSOR,MIDDLE	1	1	1
	37	3AK07360	CUSHION,CURSOR	2	2	2
	38	78710370	CUSHION UPPER LOOP	2	2	2
	39	3AK07041	REAR CURSOR,MIDDLE	1	1	1
	40	3AK05090	LABEL B,MIDDLE TRAY	1	1	1

3BD

SP	Ref. No.	Part. No.	Description	Quantity		
				120V	230V	240V
	41	3BD07040	GUIDE,MOVING PLATE	1	1	1
	42	3BD07080	PULLEY 22,MIDDLE TRAY IDLE	2	2	2
	43	60907170	CUSHION,CASSETTE R	2	2	2
	44	3AW07030	FRONT TAPE,CURSOR	1	1	1

- Parts with "*" are component parts or sub-assemblies of the assembly appearing immediately above them.
- Parts with "●" indicates the Service parts.

FIG. 7 MIDDLE TRAY II

3BD

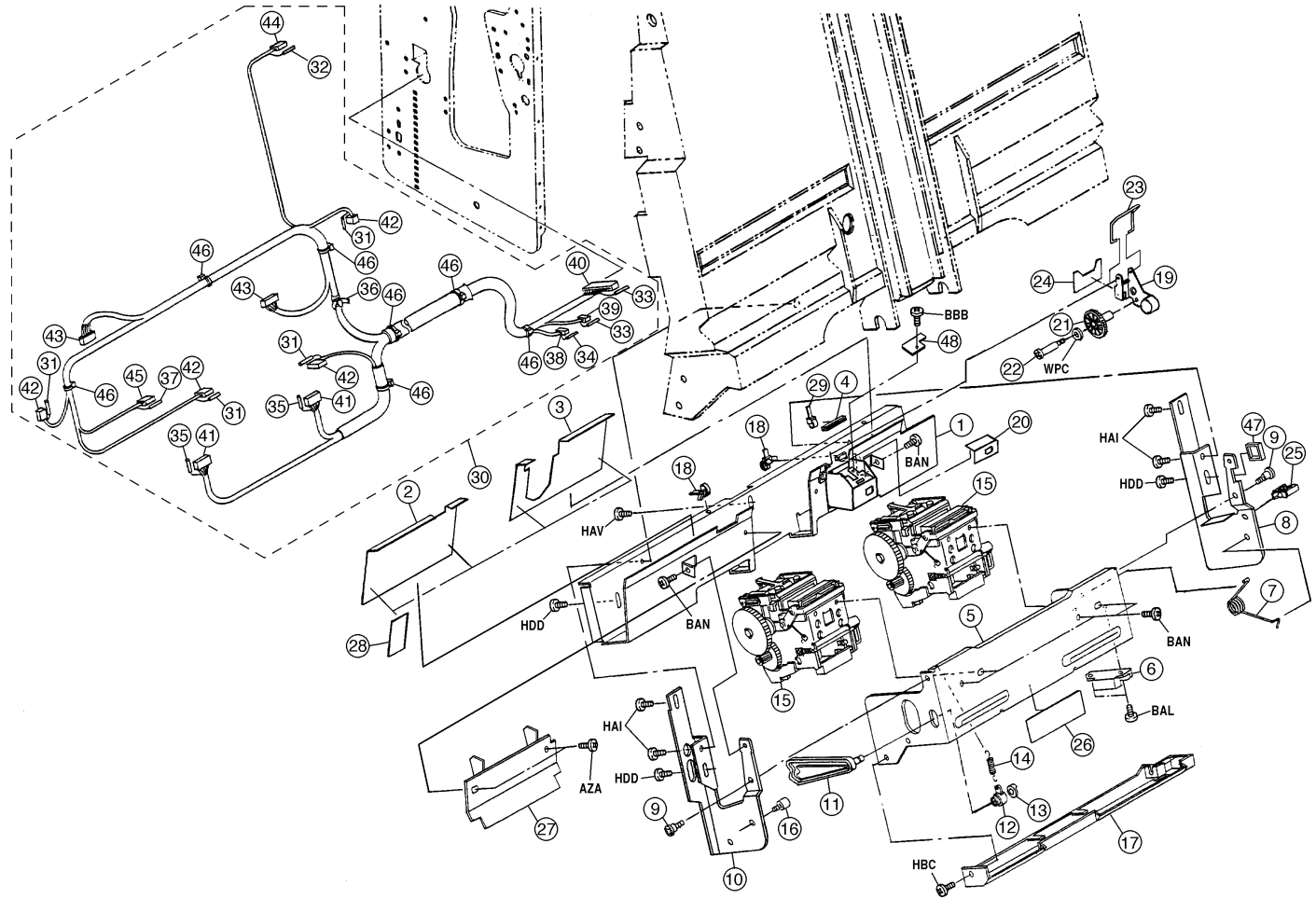
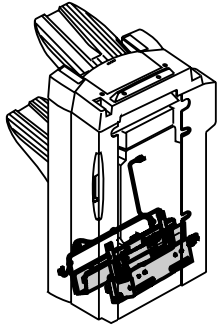


FIG. 7 MIDDLE TRAY II

SP	Ref. No.	Part. No.	Description	Quantity		
				120V	230V	240V
●	1	3AK07170	BASE,MIDDLE TRAY	1	1	1
	2	3AK07280	FRONT FILM,PAPER EDGE HOLDER	1	1	1
	3	3AK07290	REAR FILM,PAPER EDGE HOLDER	1	1	1
	4	M2104100	EDGING CE-012	1	1	1
	5	3AK07100	MOUNT,STAPLER	1	1	1
	6	60804120	MAGNET CATCH	1	1	1
	7	3AK07320	SPRING,STAPLER ROTATING	1	1	1
	8	3AK07120	REAR RETAINER,STAPLER	1	1	1
	9	29820110	FRONT PIN,FULCRUM	2	2	2
	10	3AK07110	FRONT RETAINER,STAPLER	1	1	1
	11	3AK07140	FRONT SUPPORT PLATE,STAPLER	1	1	1
	12	3AK07340	GUIDE,SUPPORT PLATE STAPLER	1	1	1
	13	63511220	STOP RING,4	1	1	1
	14	65710370	SPRING,ORIGINAL DETECTION HOLDER	1	1	1
	15	3AK27050	STAPLER	2	2	2
	16	48128807	PIN,FRAME	1	1	1
	17	3AK07130	GUIDE,STAPLER WIRE	1	1	1
	18	M2107120	BINDING BAND SG-130	2	2	2
	19	3AK07260	MOUNT,PULSE DISC	1	1	1
	20	3BD07090	FILM,MIDDLE SENSOR DUST SHIELD	1	1	1
	21	29707331	DUPLEX PULSE PLATE	1	1	1
	22	29802230	PIN,CONNECTOR	1	1	1
	23	3AK07270	SHAFT,MOUNT PULSE DISC	1	1	1
	24	3AK07370	FILM,JAM DETECTION	1	1	1
	25	M2109230	WIRE SADDLE,LWS-3S(KITAGAWA)	1	1	1
	26	3AK05040	LABEL,MIDDLE TRAY	1	1	1
	27	3AK07380	REINFORCEMENT,MIDDLE TRAY	1	1	1
	28	3AK07390	FILM B,PAPER EDGE HOLDER	4	4	4
	29	M2607010	BINDING BAND,PLT1M	1	1	1
	30	3AK27510	WIRE,MIDDLE TRAY	1	1	1
	31	●J0150900	CONTACTOR,175161-1(AMP)	12	12	12
	32	●J0250900	SOCKET,BHF-001T-0.8SS	2	2	2
	33	●J5080900	SOCKET,BPHD-002T-P0.5(JST)	43	43	43
	34	●J0421900	CONTACTOR,DF1B-2428SC(HIROSE)	8	8	8
	35	●J0311900	SOCKET,5479PBTL	22	22	22
	36	●M2107120	BINDING BAND SG-130	1	1	1
	37	●J0080900	SOCKET,170205-1(AMP)	3	3	3
	38	●J0421080	SOCKET 8P,DF1B-8DS-2.5RC	1	1	1
	39	●J5080120	RECEPTACLE,PHDR-12VS(JST)	1	1	1
	40	●J5080320	RECEPTACLE,PHDR-32VS(JST)	1	1	1

3BD

SP	Ref. No.	Part. No.	Description	Quantity		
				120V	230V	240V
●	41	●J0311130	RECEPTACLE,5480-13(MOLEX)	2	2	2
	42	●J0150030	RECEPTACLE,175778-3(AMP)	4	4	4
	43	●J0200060	PLUG,PHR-6(JST)	2	2	2
	44	●J0241020	PLUG SM 2P,SMP-02V-BC	1	1	1
	45	●J0080030	RECEPTACLE EI 3P,171822-3	1	1	1
	46	●M2607010	BINDING BAND,PLT1M	7	7	7
	47	M2104260	EDGING,EDS-0607U(KITAGAWA)	1	1	1
	48	3AK01030	MIDDLE SENSOR ASS'Y	1	1	1

- Parts with "●" are component parts or sub-assemblies of the assembly appearing immediately above them.
- Parts with "●" indicates the Service parts.

FIG. 8 DRIVING SECTION I

3BD

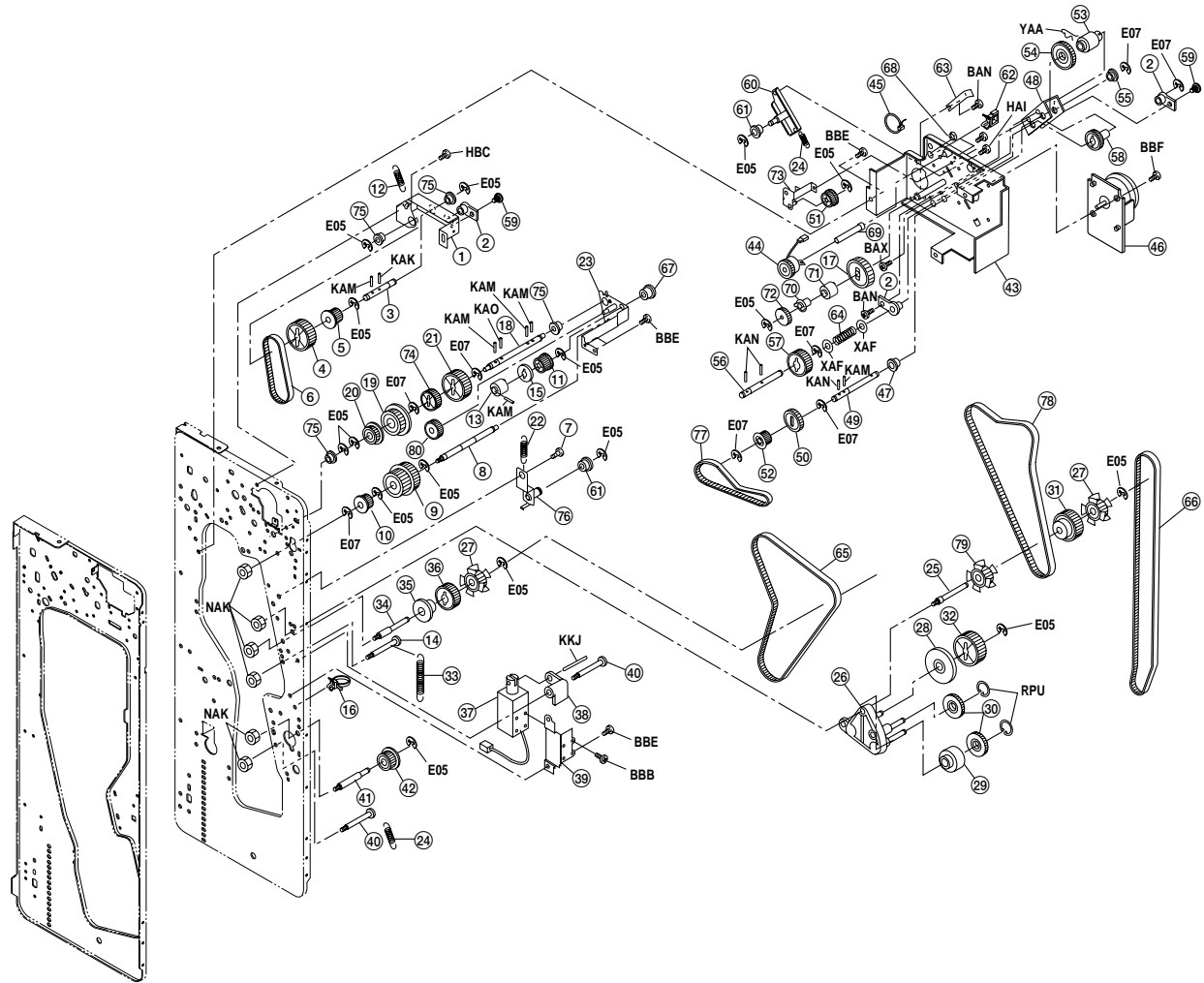
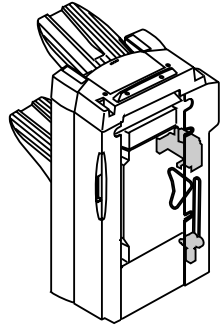


FIG. 8 DRIVING SECTION I

SP	Ref. No.	Part. No.	Description	Quantity		
				120V	230V	240V
	1	3BD22261	SUPPORT PLATE, IDLE PUNCH	1	1	1
	2	74718091	BUSHING CLEANING UNIT	3	3	3
	3	3AK22130	SHAFT 14/29, IDLE	1	1	1
	4	3AK22030	GEAR 29, IDLE	1	1	1
	5	3AK22020	PULLEY 14, IDLE	1	1	1
●	6	3BD22110	BELT, PUNCH DRIVE	1	1	1
	7	72918050	PIN, BLADE ARM	1	1	1
	8	3BD22080	SHAFT, MAIN DRIVE	1	1	1
	9	3BD22030	PULLEY 37/48, DRIVE	1	1	1
	10	72622141	TENSION PULLEY 20	1	1	1
	11	69914030	GEAR, MAGNET ROLLER	1	1	1
	12	63511091	SPRING, ADF HOOK	1	1	1
●	13	33906070	TORQUE LIMITER, PAPER FEED	1	1	1
	14	29802230	PIN, CONNECTOR	1	1	1
	15	3AX22030	JOINT, TORQUE LIMITER	1	1	1
	16	M2107120	BINDING BAND SG-130	1	1	1
	17	3BD22230	GEAR 42, PADDLE INPUT	1	1	1
	18	3BD22090	SHAFT 45/28/40/30, IDLE	1	1	1
	19	3AK22040	PULLEY 40, FEED IN	1	1	1
	20	34922280	PULLEY 30	1	1	1
	21	3AK22070	GEAR 45, MOTOR IDLE	1	1	1
	22	29407191	TENSION SPRING, PF	1	1	1
	23	3BD22010	RETAINER, MAIN DRIVE	1	1	1
	24	48529303	SPRING, TENSION	2	2	2
	25	3AK22200	PIN, DRIVE SHIFT	1	1	1
	26	3AK22320	TURN PLATE, DRIVE SHIFT	1	1	1
	27	3AK08230	PULLEY 20, COUPLING	2	2	2
	28	3AK22390	COLLAR 27, DRIVE SHIFT	1	1	1
	29	3AK22410	COLLAR 13, DRIVE SHIFT	1	1	1
	30	18314040	GEAR 13, PARTITION JOINT	2	2	2
	31	3AK22280	GEAR 27, DRIVE SHIFT	1	1	1
	32	36714130	GEAR 27, DEVELOPING	1	1	1
	33	35912480	SPRING, SCANNER WIRE	1	1	1
	34	3AK22300	PIN, IDLE FEED SHIFT	1	1	1
	35	3AK22290	COLLAR 22, DRIVE SHIFT	1	1	1
	36	3AK08220	GEAR 22, FEED SHIFT	1	1	1
●	37	63227050	SOLENOID, STOPPER	1	1	1
	38	3AK22330	LEVER, DRIVE SHIFT	1	1	1
	39	3AK22340	MOUNT, SOLENOID SHIFT	1	1	1
	40	71821221	PIN, LOOP GUIDE	2	2	2

3BD

SP	Ref. No.	Part. No.	Description	Quantity		
				120V	230V	240V
	41	3AK22260	PIN, IDLE LEADING FEED	1	1	1
	42	61715510	PULLEY, SHUTTER	1	1	1
	43	3BD22190	SUPPORT PLATE, DRIVE	1	1	1
●	44	36993200	PARTS, CLUTCH PAPER FEED, SP	1	1	1
	45	M0207000	BINDING BAND, KB-100-1	1	1	1
●	46	3BD27010	MOTOR, MAIN	1	1	1
	47	71807040	BUSHING 8, PF	1	1	1
	48	3AK22190	SUPPORT PLATE, IDLE JOINT	1	1	1
	49	3BD22120	SHAFT 40/21, IDLE	1	1	1
	50	3BD22220	GEAR 31, FEED SHIFT DRIVE	1	1	1
	51	3BD22240	GEAR 20/22, PADDLE IDLE	1	1	1
	52	68322210	PULLEY, 21 IDLE	1	1	1
●	53	3AK22080	TORQUE LIMITER, MIDDLE DRIVE	1	1	1
	54	3AK22140	GEAR 40, MIDDLE DRIVE	1	1	1
	55	67322230	BUSHING 8	1	1	1
	56	3AK22100	SHAFT, IDLE JOINT	1	1	1
	57	29721040	GEAR, 24 SB	1	1	1
	58	3AK22060	GEAR 33, THRUST	1	1	1
	59	60116080	PIN RAIL DEV.	2	2	2
	60	3BD22200	TENSION PLATE C, DRIVE	1	1	1
	61	48928800	PULLEY, TIMING BELT	2	2	2
	62	M2109230	WIRE SADDLE, LWS-3S(KITAGAWA)	2	2	2
	63	3AK22370	PLATE SPRING, DRIVE GROUND	1	1	1
	64	73818100	SPRING, BLADE THRUST	1	1	1
●	65	3AK08340	LOWER BELT, FEED SHIFT(METRIC)		1	1
●	65	3AK08350	LOWER BELT, FEED SHIFT(INCH)	1		
●	66	3AK22220	BELT, LEADING FEED DRIVE	1	1	1
	67	29806560	BUSHING 6	1	1	1
	68	M1203240	OPEN BUSHING, OCB-500	1	1	1
	69	3BD22130	PIN, PADDLE CLUTCH(M4)	1	1	1
	70	3BD22150	JOINT, TORQUE LIMITER	1	1	1
●	71	3BD22160	TORQUE LIMITER, DRIVE	1	1	1
	72	34922570	GEAR 23, DEVELOPING	1	1	1
	73	3BD22210	MOUNT, PADDLE IDLE	1	1	1
	74	19522130	GEAR 30	1	1	1
	75	74808080	BEARING, 686ZZNR	4	4	4
	76	3BD22070	TENSION PLATE A, FEED SHIFT DRIVE	1	1	1
●	77	3BD22170	BELT, MIDDLE DRIVE	1	1	1
●	78	3BD22100	BELT, FEED SHIFT DRIVE	1	1	1
	79	3BD22060	PULLEY 22, COUPLING	1	1	1
	80	2AL06110	GEAR 25	1	1	1

- Parts with "*" are component parts or sub-assemblies of the assembly appearing immediately above them.
- Parts with "●" indicates the Service parts.

FIG. 9 DRIVING SECTION II

3BD

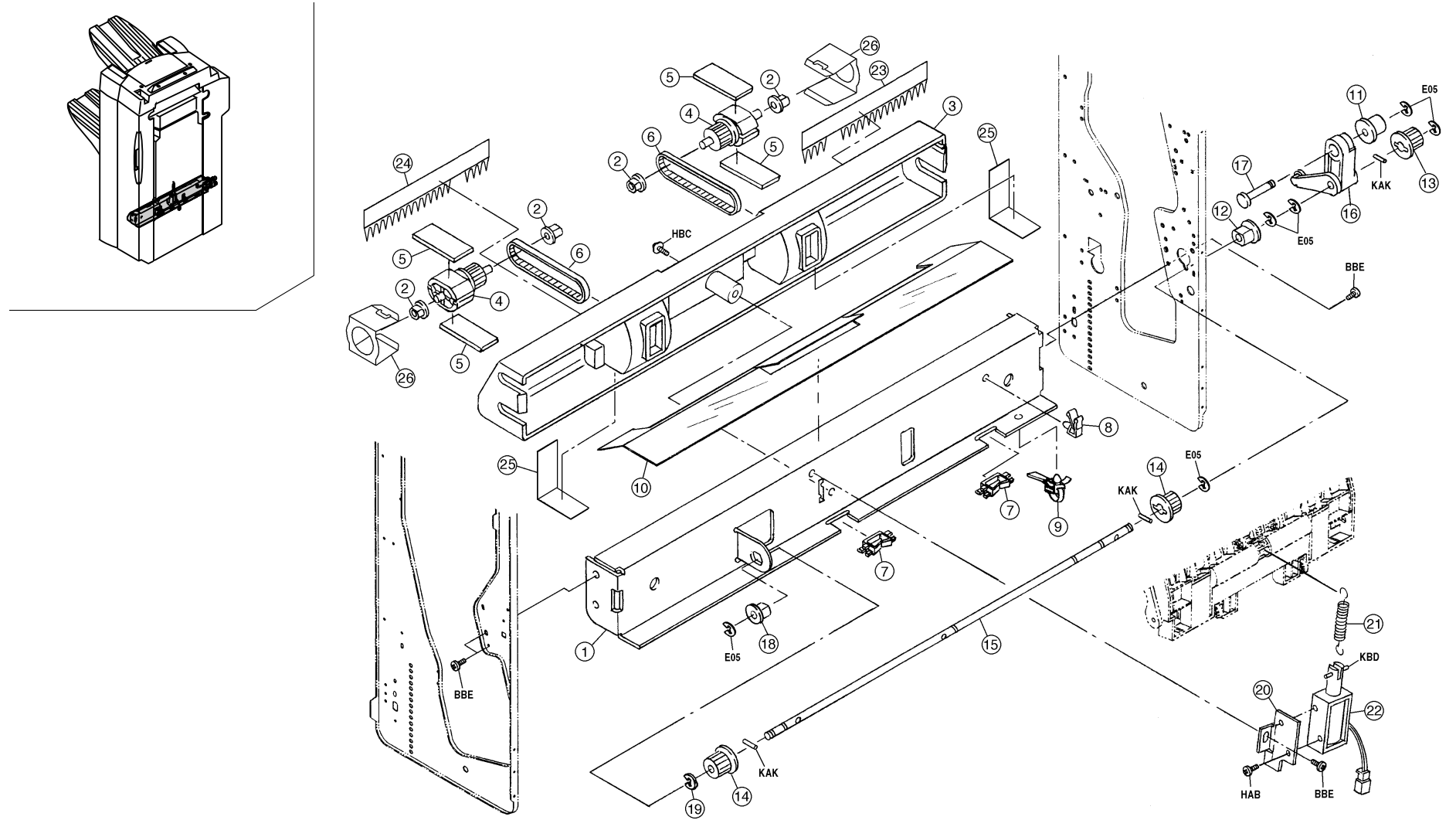


FIG. 9 DRIVING SECTION II

3BD

SP	Ref. No.	Part. No.	Description	Quantity		
				120V	230V	240V
	1	3AK08260	STAY,LEADING FEED	1	1	1
	2	49028102	BUSH 4	4	4	4
	3	3AK08271	HOLDER,LEADING FEED ROLLER	1	1	1
	4	3AK08300	ROLLER,LEADING FEED	2	2	2
	5	3AK08310	SHEET,LEADING FEED ROLLER	4	4	4
	6	3AK08360	BELT,LEADING FEED	2	2	2
	7	M2104200	EDGING EDS-1	2	2	2
	8	M2109260	WIRE SADDLE, YMC-05-H-0(KITAGAWA)	1	1	1
	9	M2107120	BINDING BAND SG-130	1	1	1
	10	3AK08440	FILM,STATIC ELIMINATOR HOLDER	1	1	1
	11	48928800	PULLEY,TIMING BELT	1	1	1
	12	29806810	BUSHING,6 REGISTRATION	1	1	1
	13	61715510	PULLEY,SHUTTER	1	1	1
	14	76514050	PULLEY 20 DRIVE	2	2	2
	15	3AK08280	SHAFT,LEADING FEED DRIVE	1	1	1
	16	3AK22310	TENSION PLATE,LEADING FEED	1	1	1
	17	3AK22350	PIN,TENSION PLATE LEADING FEED(M)	1	1	1
	18	29806560	BUSHING 6	1	1	1
	19	34806150	STOPPER 5	1	1	1
	20	3AK08251	MOUNT,SOLENOID TURN	1	1	1
	21	3BD08010	SPRING,TURN	1	1	1
●	22	18327160	SOLENOID,MOVING DRIVE	1	1	1
	23	3AK08460	RIGHT SHEET,STATIC ELIMINATOR	1	1	1
	24	3AK08470	LEFT SHEET,STATIC ELIMINATOR	1	1	1
	25	3AK08510	FILM,LEADING FEED	2	2	2
	26	3AK08610	HOLDER,SHEET	2	2	2

- Parts with "*" are component parts or sub-assemblies of the assembly appearing immediately above them.
- Parts with "●" indicates the Service parts.

FIG. 10 ELECTRICAL COMPONENTS I

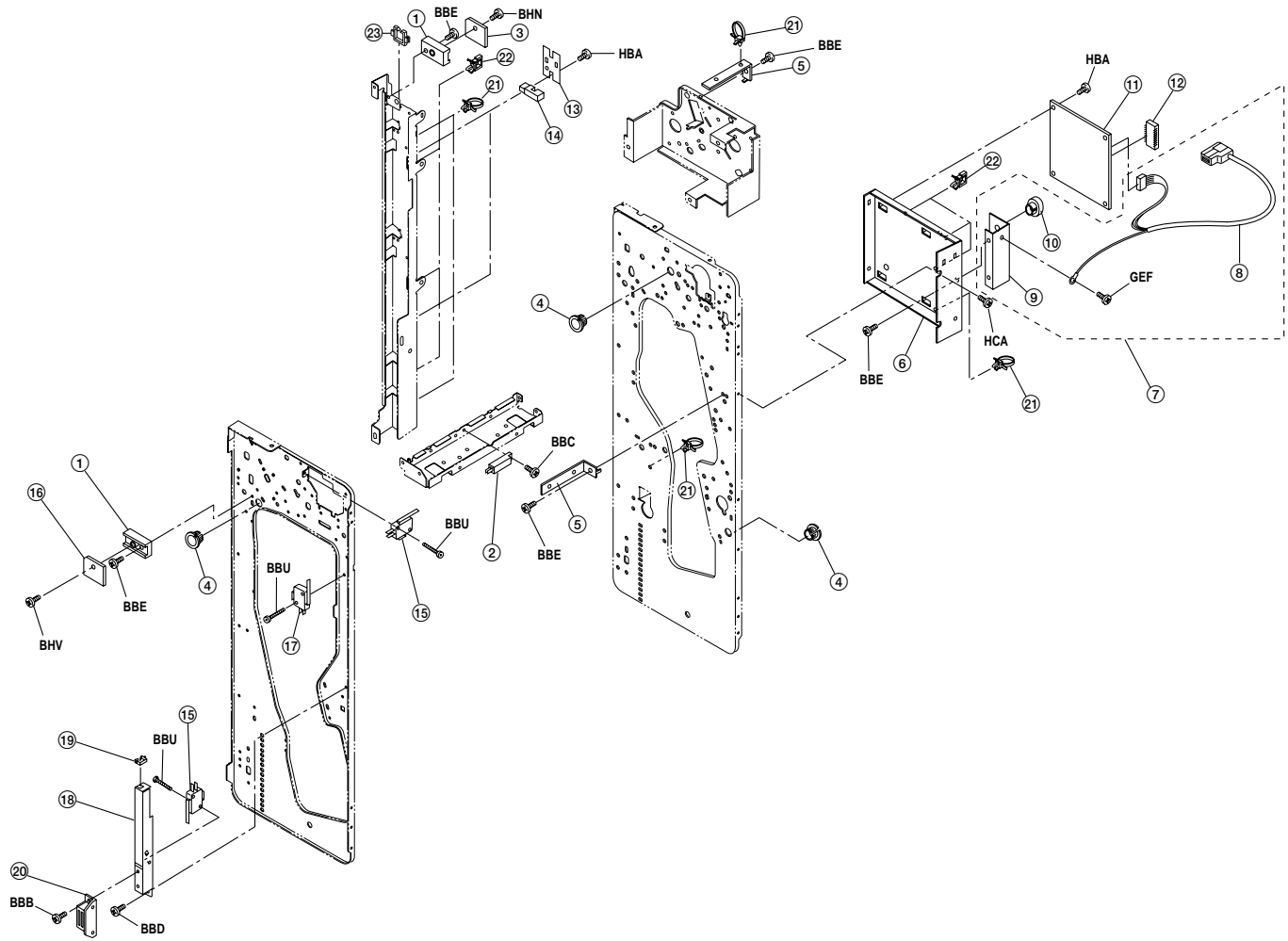
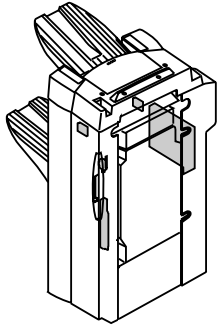


FIG. 10 ELECTRICAL COMPONENTS I

3BD

SP	Ref. No.	Part. No.	Description	Quantity		
				120V	230V	240V
	1	3AK20190	MOUNT BASE,TRAY DETECTION SENSOR	2	2	2
●	2	63227020	SWITCH,FEED	1	1	1
●	3	3AK28020	REAR STACK SENSOR PCB	1	1	1
	4	M1203240	OPEN BUSHING,OCB-500	3	3	3
	5	3AK26030	MOUNT,WIRE	2	2	2
	6	3AK26010	MOUNT,MAIN PCB	1	1	1
	7	3AK01020	INTERFACE WIRE ASS'Y	1	1	1
	8	•3AK27520	WIRE,INTERFACE	1	1	1
	9	•3AK26020	MOUNT,SIGNAL WIRE	1	1	1
	10	•M1203550	STRAIN RELEAF BUSHING,SR-7W-2	1	1	1
●	11	3BD68010	MAIN PCB ASS'Y SP	1	1	1
●	12	3BD27021	IC,ROM	1	1	1
	13	3AK07090	MOUNT,MIDDLE PI	2	2	2
●	14	35327400	SWITCH,FEED	2	2	2
●	15	36827140	SWITCH A,INTERLOCK	2	2	2
●	16	3AK28030	FRONT STACK SENSOR PCB	1	1	1
●	17	3AK27030	SWITCH,SET	1	1	1
	18	3AK02191	FRONT MOUNT,SAFETY SWITCH	1	1	1
	19	M2104200	EDGING EDS-1	1	1	1
	20	60804120	MAGNET CATCH	1	1	1
	21	M2107120	BINDING BAND SG-130	5	5	5
	22	M2109230	WIRE SADDLE,LWS-3S(KITAGAWA)	6	6	6
	23	M2104350	EDGING,EDS-0607M(KITAGAWA)	1	1	1

- Parts with "•" are component parts or sub-assemblies of the assembly appearing immediately above them.
- Parts with "●" indicates the Service parts.

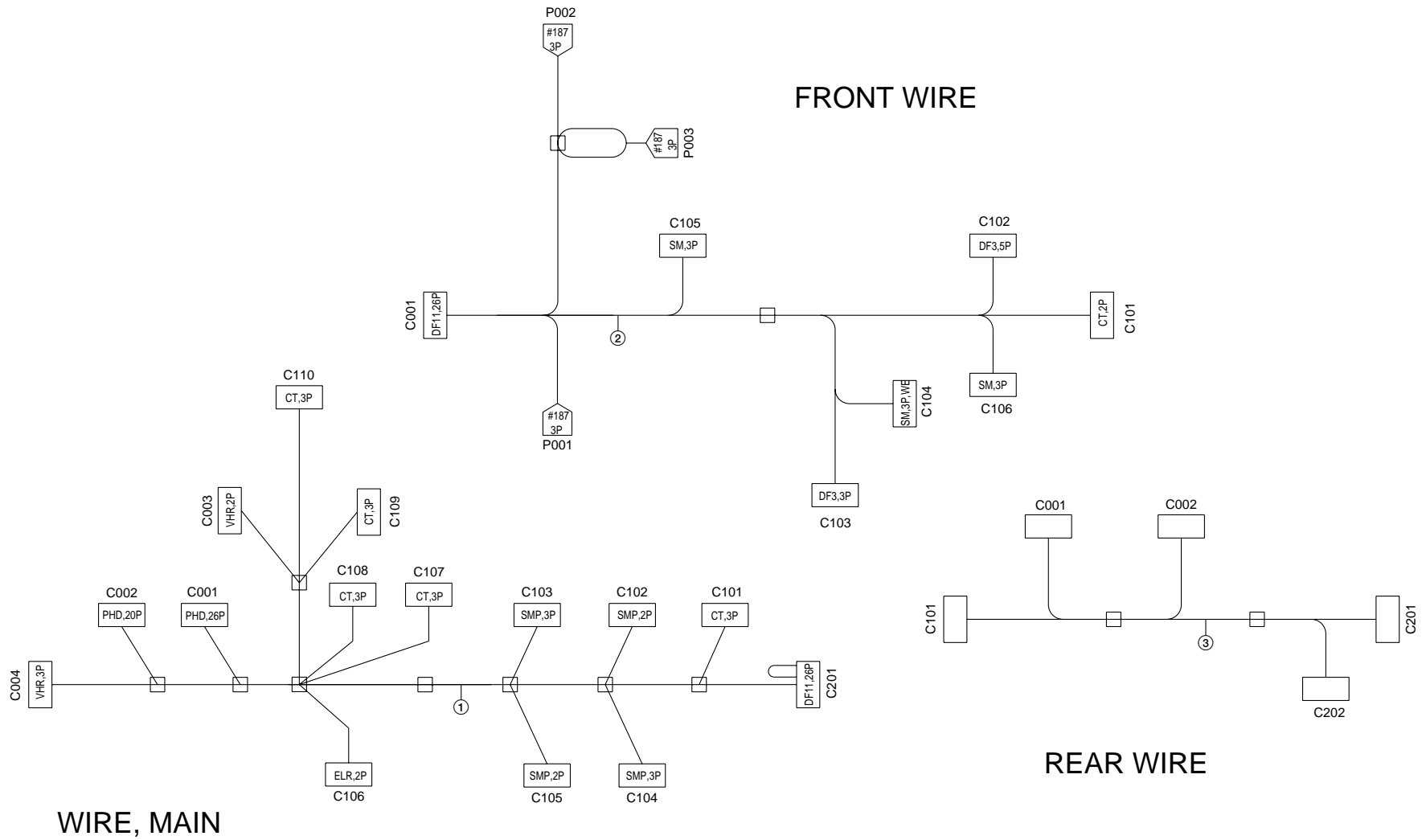


FIG. 11 ELECTRICAL COMPONENTS II

3BD

SP	Ref. No.	Part. No.	Description	Quantity		
				120V	230V	240V
	1	3BD27500	WIRE,MAIN	1	1	1
	2	3BD27510	FRONT WIRE	1	1	1
	3	3BD27520	REAR WIRE	1	1	1

- Parts with "*" are component parts or sub-assemblies of the assembly appearing immediately above them.
- Parts with "●" indicates the Service parts.

ACCESSORY

OPTION

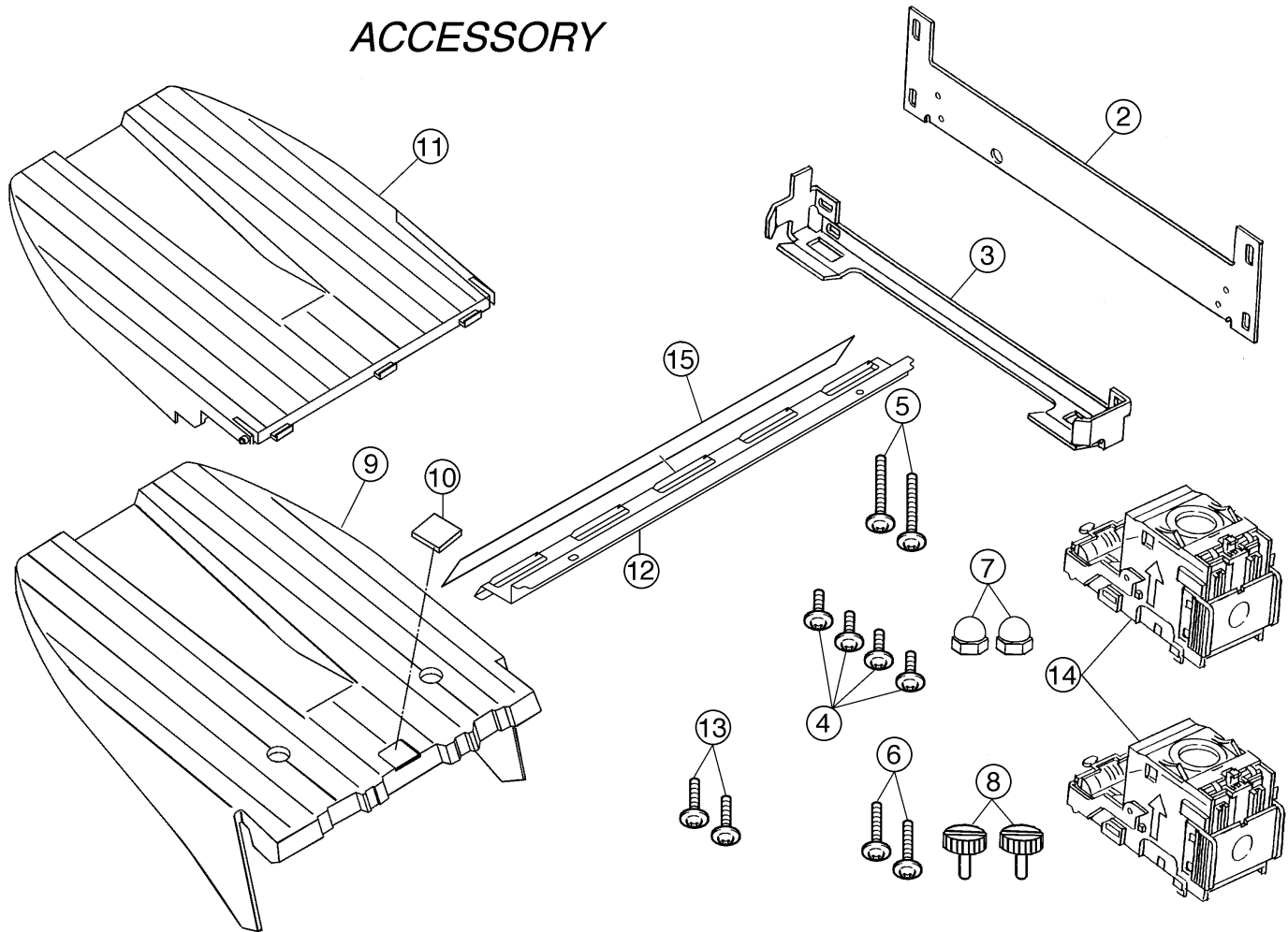


FIG. 12 ACCESSORIES & OPTION

3BD

SP	Ref. No.	Part. No.	Description	Quantity		
				120V	230V	240V
●	1	36882040	SET STAPLE CARTRIDGE	2	2	2
	2	3AK02110	MOUNT,RETAINER FINISHER	1	1	1
	3	3AK02120	RETAINER,FINISHER	1	1	1
	4	B4104060	TRIPLE SCREW M4X6(CHROMIUM)	4	4	4
	5	B4104140	TRIPLE SCREW M4X14(CHROMIUM)	2	2	2
	6	B4304100	TRIPLE SCREW M4X10 (BLACK)	2	2	2
	7	C1054070	DOMED CAP NUT M4(CLASS 2)	2	2	2
	8	33920500	RETAINING PIN, FIXING GUIDE	2	2	2
	9	3AK04550	TRAY,MAIN(KM)	1	1	1
	10	3AK20240	VIBRATION INSULATOR,MAIN TRAY	1	1	1
	11	3AK04560	TRAY,SUB(KM)	1	1	1
	12	3BD16080	GUIDE,FEED IN AUXILIARY	1	1	1
●	13	B1094080	CROSS-RECESSED HEAD TAPPING P REW M4X08	2	2	2
	14	3AK68010	CARTRIDGE,STAPLER	2	2	2
	15	3BD16090	FILM,FEED IN AUXILIARY	1	1	1

- Parts with "*" are component parts or sub-assemblies of the assembly appearing immediately above them.
- Parts with "●" indicates the Service parts.

INDEX

3BD

SP	Part. No.	Description	Quantity			Fig. No.
			120V	230V	240V	
	18312330	STATIC ELIMINATOR B,EJECT	1	1	1	5
	18313150	GROUND PLATE,PARTITION	1	1	1	6
	18314040	GEAR 13,PARTITION JOINT	2	2	2	8
	18327130	SOLENOID,STOPPER	1	1	1	4
●	18327140	SWITCH,PARTITION	1	1	1	2
●	18327160	SOLENOID,MOVING DRIVE	1	1	1	9
●	18327200	SOLENOID,PARTITION DRIVE	1	1	1	4
●	18393020	PARTS,STATIC ELIMINATOR EJECT(SP)	1	1	1	5
●	18393080	PARTS,MOTOR MOVING(SP)	2	2	2	6
	19020050	SPRING,PRESSURE	2	2	2	3
	19522130	GEAR 30	1	1	1	8
	2AL06110	GEAR 25	1	1	1	8
	29407191	TENSION SPRING,PF	2	2	2	2,8
	29707331	DUPLEX PULSE PLATE	1	1	1	7
	29721040	GEAR,24 SB	1	1	1	8
	29802230	PIN,CONNECTOR	3	3	3	3,7,8
	29806560	BUSHING 6	8	8	8	4,5,8,9
	29806810	BUSHING,6 REGISTRATION	5	5	5	5,9
	29820110	FRONT PIN,FULCRUM	2	2	2	7
	29820420	PIN,BEARING	5	5	5	2,4
●	3AK00220	EJECT PULLEY ASS'Y	4	4	4	1
●	3AK00310	DISPOSAL TANK ASS'Y	1	1	1	2
	3AK01020	INTERFACE WIRE ASS'Y	1	1	1	10
●	3AK01030	MIDDLE SENSOR ASS'Y	1	1	1	7
	3AK02030	PARTITION,FINISHER	1	1	1	2
	3AK02040	BASE,FINISHER	1	1	1	2
	3AK02060	STAY,PARTITION	2	2	2	2
	3AK02070	STAY,MIDDLE TRAY	1	1	1	2
	3AK02080	PULLEY,FINISHER	2	2	2	2
	3AK02090	STAY,MAIN EJECT	1	1	1	3
	3AK02100	REINFORCEMENT,REAR COVER	1	1	1	2
	3AK02110	MOUNT,RETAINER FINISHER	1	1	1	12
	3AK02120	RETAINER,FINISHER	1	1	1	12
	3AK02130	MOUNT,RELEASE LEVER	1	1	1	2
	3AK02140	GUIDE,FINISHER RELEASE	2	2	2	2
	3AK02150	SHAFT,HOOK RELEASE	1	1	1	2
	3AK02160	HOOK,FINISHER RELEASE	2	2	2	2
	3AK02170	WORK PLATE,HOOK RELEASE	1	1	1	2
	3AK02180	JUNCTION PLATE,RELEASE LEVER	1	1	1	2
	3AK02191	FRONT MOUNT,SAFETY SWITCH	1	1	1	10

SP	Part. No.	Description	Quantity			Fig. No.
			120V	230V	240V	
	3AK02200	SLIDER,FINISHER	2	2	2	2
	3AK02210	PLATE SPRING,HOOK RELEASE	2	2	2	2
	3AK02220	SHAFT,BASE PULLEY	2	2	2	2
	3AK02230	SPONGE,BASE	2	2	2	2
	3AK02240	PULLEY,ORTER	1	1	1	2
	3AK02250	SHAFT,CONVEYING SUPPORT PLATE	1	1	1	2
●	3AK04070	RIGHT COVER	1	1	1	1
	3AK04100	FRONT HINGE,COVER	1	1	1	1
	3AK04110	UPPER FULCRUM PLATE,FRONT COVER	1	1	1	1
	3AK04120	UNDER FULCRUM PLATE,FRONT COVER	1	1	1	1
	3AK04130	FULCRUM PLATE,TOP COVER	2	2	2	1
	3AK04140	HINGE,TOP COVER	2	2	2	1
	3AK04150	FRONT BASE,MAGNET	1	1	1	1
	3AK04160	GUIDE,FRONT COVER	1	1	1	1
	3AK04180	TOP GROUND PLATE,COVER	1	1	1	1
●	3AK04510	TOP COVER(KM)	1	1	1	1
	3AK04520	FRONT COVER(KM)	1	1	1	1
●	3AK04530	REAR COVER(KM)	1	1	1	1
●	3AK04540	TOP COVER,RELEASE(KM)	1	1	1	1
	3AK04550	TRAY,MAIN(KM)	1	1	1	12
	3AK04560	TRAY,SUB(KM)	1	1	1	12
●	3AK04570	FRONT LID,TOP COVER(KM)	1	1	1	1
●	3AK04580	REAR LID,TOP COVER(KM)	1	1	1	1
●	3AK05020	LABEL,JAM REMOVAL	1	1	1	1
●	3AK05030	LABEL,PUNCH DISPOSAL	1	1	1	2
	3AK05040	LABEL,MIDDLE TRAY	1	1	1	7
●	3AK05050	LABEL,FEED SHIFT GUIDE	2	2	2	5
	3AK05080	LABEL,TRAILING EDGE STANDARD		1	1	4
	3AK05090	LABEL B,MIDDLE TRAY	1	1	1	6
●	3AK05510	TOP LABEL,COVER(KM)	4	4	4	1
●	3AK06010	ROLLER,EJECT MAIN	1	1	1	3
	3AK06020	UPPER GUIDE,MAIN EJECT	1	1	1	4
	3AK06030	LOWER GUIDE,MAIN EJECT	1	1	1	3
	3AK06040	SHAFT,MAIN EJECT PULLEY	1	1	1	4
	3AK06050	HOLDER,MAIN EJECT	1	1	1	3
	3AK06060	LEVER A,HOLDER MAIN EJECT	1	1	1	3
	3AK06070	LEVER B,HOLDER MAIN EJECT	1	1	1	3
	3AK06080	SHAFT,HOLDER MAIN EJECT	1	1	1	3
	3AK06090	SPRING,HOLDER MAIN EJECT PULL	1	1	1	3
	3AK06100	SPRING,HOLDER MAIN EJECT RESET	1	1	1	3

• Parts with "●" indicates the Service parts.

SP	Part. No.	Description	Quantity			Fig. No.
			120V	230V	240V	
	3AK06120	SPRING,MAIN EJECT	2	2	2	4
	3AK06143	FILM,MAIN EJECT(INCH)	1			4
	3AK06150	STOPPER,SOLENOID	1	1	1	3
	3AK06160	MOUNT,MAIN EJECT PRESSURE	1	1	1	4
	3AK06172	TURN PLATE,MAIN EJECT PRESSURE	1	1	1	4
	3AK06180	HOLDER,MAIN EJECT PRESSURE	1	1	1	4
	3AK06190	SPRING,MAIN EJECT PRESSURE	2	2	2	4
	3AK07010	TRAY,MIDDLE	1	1	1	6
	3AK07021	MOUNT,MIDDLE SLIDER	2	2	2	6
	3AK07031	FRONT CURSOR,MIDDLE	1	1	1	6
	3AK07041	REAR CURSOR,MIDDLE	1	1	1	6
	3AK07050	RACK,MIDDLE	2	2	2	6
	3AK07060	MOUNT,CURSOR	1	1	1	6
	3AK07070	SHAFT,MIDDLE GUIDE	1	1	1	6
	3AK07080	GEAR,CURSOR MOTOR	2	2	2	6
	3AK07090	MOUNT,MIDDLE PI	4	4	4	6,10
	3AK07100	MOUNT,STAPLER	1	1	1	7
	3AK07110	FRONT RETAINER,STAPLER	1	1	1	7
	3AK07120	REAR RETAINER,STAPLER	1	1	1	7
	3AK07130	GUIDE,STAPLER WIRE	1	1	1	7
	3AK07140	FRONT SUPPORT PLATE,STAPLER	1	1	1	7
●	3AK07150	BELT,MIDDLE CONVEYING	1	1	1	6
	3AK07160	MOVING PLATE,MIDDLE CONVEYING	2	2	2	6
	3AK07170	BASE,MIDDLE TRAY	1	1	1	7
	3AK07200	SHAFT,MIDDLE IDLE	1	1	1	6
	3AK07220	SHAFT,MIDDLE TENSION	2	2	2	6
	3AK07230	PULLEY 20S3M	4	4	4	6
	3AK07240	MOUNT,MIDDLE BELT SW	1	1	1	6
	3AK07250	LEVER,MIDDLE BELT SW	1	1	1	6
	3AK07260	MOUNT,PULSE DISC	1	1	1	7
	3AK07270	SHAFT,MOUNT PULSE DISC	1	1	1	7
	3AK07280	FRONT FILM,PAPER EDGE HOLDER	1	1	1	7
	3AK07290	REAR FILM,PAPER EDGE HOLDER	1	1	1	7
	3AK07300	RETAINER,MIDDLE TRAY	1	1	1	2
	3AK07310	RETAINER,CURSOR MOTOR	2	2	2	6
	3AK07320	SPRING,STAPLER ROTATING	1	1	1	7
	3AK07330	COLLAR,PULLEY RETAINING	1	1	1	6
	3AK07340	GUIDE,SUPPORT PLATE STAPLER	1	1	1	7
	3AK07350	SLIDER,MIDDLE	2	2	2	2
	3AK07360	CUSHION,CURSOR	2	2	2	6

SP	Part. No.	Description	Quantity			Fig. No.
			120V	230V	240V	
	3AK07370	FILM,JAM DETECTION	1	1	1	7
	3AK07380	REINFORCEMENT,MIDDLE TRAY	1	1	1	7
	3AK07390	FILM B,PAPER EDGE HOLDER	4	4	4	7
	3AK08012	FRONT FRAME,FEED SHIFT(METRIC)		1	1	5
	3AK08021	REAR FRAME,FEED SHIFT(METRIC)		1	1	5
	3AK08034	GUIDE A3,FEED SHIFT		1	1	5
	3AK08044	GUIDE B4,FEED SHIFT		1	1	5
	3AK08053	GUIDE A4R,FEED SHIFT		1	1	5
	3AK08064	UPPER GUIDE,FEED SHIFT(METRIC)		1	1	5
	3AK08070	PLATE SPRING,FEED SHIFT PULLEY(METRIC)	1	1	1	5
	3AK08081	FRONT FRAME,FEED SHIFT(INCH)	1			5
	3AK08090	REAR FRAME,FEED SHIFT(INCH)	1			5
	3AK08104	GUIDE 14,FEED SHIFT	1			5
	3AK08113	GUIDE 11,FEED SHIFT	1			5
	3AK08124	UPPER GUIDE,FEED SHIFT(INCH)	1			5
	3AK08130	PLATE SPRING,FEED SHIFT PULLEY(INCH)	1			5
	3AK08150	UPPER SHAFT,FEED SHIFT	4	4	4	5
	3AK08160	PLATE SPRING,FEED SHIFT PULLEY	1			5
	3AK08170	REINFORCEMENT,FEED SHIFT GUIDE	1	1	1	5
	3AK08182	GUIDE,FEED SHIFT SUB	1	1	1	5
	3AK08201	MOUNT,FEED SHIFT SOLENOID	3	3	3	5
	3AK08210	TENSION PLATE,FEED SHIFT	1	1	1	5
	3AK08220	GEAR 22,FEED SHIFT	1	1	1	8
	3AK08230	PULLEY 20,COUPLING	7	7	7	4,5,8
	3AK08240	TURN PLATE,STACK AUXILIARY	1	1	1	5
	3AK08251	MOUNT,SOLENOID TURN	1	1	1	9
	3AK08260	STAY,LEADING FEED	1	1	1	9
	3AK08271	HOLDER,LEADING FEED ROLLER	1	1	1	9
	3AK08280	SHAFT,LEADING FEED DRIVE	1	1	1	9
	3AK08294	GUIDE 17,FEED SHIFT	1			5
	3AK08300	ROLLER,LEADING FEED	2	2	2	9
	3AK08310	SHEET,LEADING FEED ROLLER	4	4	4	9
	3AK08320	UPPER BELT,FEED SHIFT(METRIC)		1	1	5
	3AK08330	UPPER BELT,FEED SHIFT(INCH)	1			5
●	3AK08340	LOWER BELT,FEED SHIFT(METRIC)		1	1	8
●	3AK08350	LOWER BELT,FEED SHIFT(INCH)	1			8
	3AK08360	BELT,LEADING FEED	2	2	2	9
	3AK08371	MAGNET,FEED SHIFT	2	2	2	5
	3AK08380	PLATE SPRING,FEED SHIFT PULLEY(METRIC)		1	1	5
	3AK08390	BASE,MAGNET FEED SHIFT	1	1	1	5

● Parts with "●" indicates the Service parts.

SP	Part. No.	Description	Quantity			Fig. No.
			120V	230V	240V	
●	3AK08410	ROLLER,EJECT AUXILIARY	16	16	16	5
	3AK08420	SEAL,MAGNET FEED SHIFT	2	2	2	5
	3AK08430	SPACER,TURN	1	1	1	5
	3AK08440	FILM,STATIC ELIMINATOR HOLDER	1	1	1	9
	3AK08450	PLATE SPRING,GROUND WIRE FEED SHIFT	1	1	1	5
	3AK08460	RIGHT SHEET,STATIC ELIMINATOR	1	1	1	9
	3AK08470	LEFT SHEET,STATIC ELIMINATOR	1	1	1	9
	3AK08480	CUSHION,FEED SHIFT GUIDE	1	1	1	3,5
	3AK08490	FRONT FILM,PAPER EDGE GUIDE	1	1	1	5
	3AK08500	REAR FILM,PAPER EDGE GUIDE	1	1	1	5
	3AK08510	FILM,LEADING FEED	2	2	2	9
	3AK08560	FILM,PLATE SPRING GUIDE FILM	1	1	1	5
	3AK08570	LID,MAGNET	2	2	2	5
	3AK08580	GUIDE,PAPER EDGE	2	2	2	5
	3AK08590	FILM,GUIDE PAPER EDGE	2	2	2	5
	3AK08610	HOLDER,SHEET	2	2	2	9
	3AK12320	GUIDE,DISPOSAL TANK	1	1	1	2
	3AK12340	MOUNT,DISPOSAL TANK	2	2	2	2
●	3AK16010	ROLLER,EJECT SUB	1	1	1	4
●	3AK16030	PULLEY,CONVEYING	1	1	1	4
	3AK16070	UPPER GUIDE,CONVEYING	1	1	1	4
	3AK16080	LOWER GUIDE,CONVEYING	1	1	1	4
	3AK16090	LEFT GUIDE,CONVEYING	1	1	1	4
	3AK16100	GUIDE,CONVEYING	1	1	1	4
	3AK16110	UPPER SEPARATION CLAW,CONVEYING	1	1	1	4
	3AK16120	LOWER CLAW,CONVEYING	1	1	1	4
	3AK16130	UPPER LEVER,CONVEYING	1	1	1	4
	3AK16140	LOWER LEVER,CONVEYING	1	1	1	4
	3AK16150	MOUNT,CONVEYING SOLENOID	1	1	1	4
	3AK16220	GUIDE,EJECT	1	1	1	1
●	3AK16240	TORQUE LIMITER,MIDDLE DRIVE	1	1	1	4
	3AK16250	REINFORCEMENT,CONVEYING GUIDE	1	1	1	4
	3AK16261	SHEET,EJECT	4	4	4	1
	3AK16270	PLATE SPRING,EJECT GROUND	1	1	1	1
	3AK20010	RAIL,MAIN TRAY	2	2	2	2
	3AK20020	FRONT FRAME,MAIN TRAY	1	1	1	3
	3AK20030	REAR FRAME,MAIN TRAY	1	1	1	3
	3AK20040	SUPPORT PLATE,MAIN TRAY	1	1	1	3
	3AK20050	HOLDER,TIMING BELT	2	2	2	3
	3AK20060	TENSION PLATE,MAIN TRAY	2	2	2	3

SP	Part. No.	Description	Quantity			Fig. No.
			120V	230V	240V	
	3AK20070	SHAFT,MAIN TRAY DRIVE	1	1	1	3
	3AK20080	GEAR 18/50	1	1	1	3
	3AK20090	GEAR 51	1	1	1	3
	3AK20100	MOUNT,MAIN TRAY DRIVE	1	1	1	3
	3AK20110	SHAFT,WORM	1	1	1	3
	3AK20120	SHAFT 18/50	1	1	1	3
	3AK20130	GEAR,WORM MAIN TRAY	1	1	1	3
	3AK20140	DETECTION PLATE,MAIN TRAY	1	1	1	3
	3AK20150	DETECTION PLATE,MAIN TRAY SENSOR MIDDLE	1	1	1	3
	3AK20160	MOUNT,MAIN TRAY SENSOR MIDDLE	1	1	1	3
	3AK20170	FILM,MAIN TRAY SENSOR	1	1	1	3
	3AK20180	PIN,MAIN TRAY	4	4	4	3
	3AK20190	MOUNT BASE,TRAY DETECTION SENSOR	2	2	2	10
	3AK20200	PULLEY,MAIN TRAY	4	4	4	3
	3AK20210	BELT,TRAY LIFT	2	2	2	3
	3AK20220	BELT,TRAY DRIVE	1	1	1	3
	3AK20230	PULLEY 20S5M	4	4	4	3
	3AK20240	VIBRATION INSULATOR,MAIN TRAY	1	1	1	12
	3AK20250	SPRING,MAIN TRAY SENSOR MIDDLE	1	1	1	3
	3AK22020	PULLEY 14,IDLE	1	1	1	8
	3AK22030	GEAR 29,IDLE	1	1	1	8
	3AK22040	PULLEY 40,FEED IN	2	2	2	4,8
	3AK22060	GEAR 33,THRUST	1	1	1	8
	3AK22070	GEAR 45,MOTOR IDLE	1	1	1	8
●	3AK22080	TORQUE LIMITER,MIDDLE DRIVE	1	1	1	8
	3AK22100	SHAFT,IDLE JOINT	1	1	1	8
	3AK22130	SHAFT 14/29,IDLE	1	1	1	8
	3AK22140	GEAR 40,MIDDLE DRIVE	1	1	1	8
	3AK22160	TENSION PLATE,LEADING REGISTRATION	1	1	1	4
	3AK22190	SUPPORT PLATE,IDLE JOINT	1	1	1	8
●	3AK22200	PIN,DRIVE SHIFT	1	1	1	8
	3AK22220	BELT,LEADING FEED DRIVE	1	1	1	8
	3AK22260	PIN,IDLE LEADING FEED	1	1	1	8
	3AK22280	GEAR 27,DRIVE SHIFT	1	1	1	8
	3AK22290	COLLAR 22,DRIVE SHIFT	1	1	1	8
	3AK22300	PIN,IDLE FEED SHIFT	1	1	1	8
	3AK22310	TENSION PLATE,LEADING FEED	1	1	1	9
	3AK22320	TURN PLATE,DRIVE SHIFT	1	1	1	8
	3AK22330	LEVER,DRIVE SHIFT	1	1	1	8
	3AK22340	MOUNT,SOLENOID SHIFT	1	1	1	8

• Parts with "●" indicates the Service parts.

3BD

SP	Part. No.	Description	Quantity			Fig. No.
			120V	230V	240V	
	3AK22350	PIN,TENSION PLATE LEADING FEED(M)	1	1	1	9
	3AK22370	PLATE SPRING,DRIVE GROUND	1	1	1	8
	3AK22390	COLLAR 27,DRIVE SHIFT	1	1	1	8
	3AK22410	COLLAR 13,DRIVE SHIFT	1	1	1	8
	3AK26010	MOUNT,MAIN PCB	1	1	1	10
	3AK26020	MOUNT,SIGNAL WIRE	1	1	1	10
	3AK26030	MOUNT,WIRE	2	2	2	10
	3AK27010	MOTOR,MAIN TRAY	1	1	1	3
●	3AK27030	SWITCH,SET	1	1	1	10
●	3AK27040	SOLENOID,PADDLE	3	3	3	5
●	3AK27050	STAPLER	2	2	2	7
	3AK27510	WIRE,MIDDLE TRAY	1	1	1	7
	3AK27520	WIRE,INTERFACE	1	1	1	10
	3AK27540	JUNCTION WIRING,PADDLE SOLENOID	1	1	1	5
	3AK27560	JUNCTION WIRING,PAPER REGISTRATION SOLENOID	1	1	1	5
●	3AK28020	REAR STACK SENSOR PCB	1	1	1	10
●	3AK28030	FRONT STACK SENSOR PCB	1	1	1	10
●	3AK68010	CARTRIDGE,STAPLER	2	2	2	12
●	3AK68030	UPPER CONVEYING PULLEY ASS'Y	2	2	2	4
●	3AK68040	LOWER CONVEYING PULLEY ASS'Y	2	2	2	4
	3AW07030	FRONT TAPE,CURSOR	1	1	1	6
	3AX22030	JOINT,TORQUE LIMITER	1	1	1	8
●	3BD00051	PUNCH ASS'Y(METRIC)		1	1	4
●	3BD00061	PUNCH ASS'Y(INCH)	1			4
	3BD02010	FRONT FRAME	1	1	1	2
	3BD02020	REAR FRAME	1	1	1	2
	3BD02031	STAY,FEED IN	1	1	1	2
	3BD02040	MOUNT,SLIDER	1	1	1	2
	3BD04010	RIGHT VIBRATION INSULATOR,BASE	1	1	1	1
	3BD04020	TOP VIBRATION INSULATOR A,COVER	1	1	1	1
	3BD04030	TOP VIBRATION INSULATOR B,COVER	1	1	1	1
	3BD04040	TOP VIBRATION INSULATOR C,COVER	1	1	1	1
	3BD06010	MOUNT,MAIN EJECT PI	1	1	1	3
	3BD06020	GUIDE,MAIN EJECT(METRIC)		1	1	4
	3BD07010	MOUNT,MIDDLE DRIVE	1	1	1	6
	3BD07020	SHAFT,MIDDLE DRIVE	1	1	1	6
	3BD07030	GEAR 24/33,IDLE	1	1	1	6
	3BD07040	GUIDE,MOVING PLATE	1	1	1	6
●	3BD07050	CLUTCH,MIDDLE TRAY	1	1	1	6
	3BD07060	TENSION PLATE,MIDDLE CONVEYING	2	2	2	6

SP	Part. No.	Description	Quantity			Fig. No.
			120V	230V	240V	
	3BD07080	PULLEY 22,MIDDLE TRAY IDLE	2	2	2	6
	3BD07090	FILM,MIDDLE SENSOR DUST SHIELD	1	1	1	7
	3BD08010	SPRING,TURN	1	1	1	9
●	3BD08030	ROLLER A,FEED SHIFT	2	2	2	5
●	3BD08040	ROLLER B,FEED SHIFT	2	2	2	5
●	3BD08050	PULLEY,FEED SHIFT	12	12	12	5
	3BD08060	LEVER,FEED SHIFT SOLENOID	3	3	3	5
	3BD08070	LOWER REINFORCEMENT,FEED SHIFT GUIDE	1	1	1	5
	3BD12010	UNIT,PUNCH(METRIC)		1	1	4
	3BD12020	UNIT,PUNCH(INCH)	1			4
	3BD12040	CLUTCH,PUNCH	1	1	1	4
	3BD16010	UPPER GUIDE,FEED IN	1	1	1	4
	3BD16021	LEVER,FEED IN	1	1	1	4
	3BD16030	MOUNT,SOLENOID	1	1	1	4
	3BD16041	LOWER GUIDE,FEED IN	1	1	1	4
	3BD16050	LEFT SHEET A,FEED IN	1	1	1	4
	3BD16060	LEFT SHEET B,FEED IN	1	1	1	4
●	3BD16071	ROLLER,FEED IN	1	1	1	4
	3BD16080	GUIDE,FEED IN AUXILIARY	1	1	1	12
	3BD16090	FILM,FEED IN AUXILIARY	1	1	1	12
	3BD22010	RETAINER,MAIN DRIVE	1	1	1	8
	3BD22020	SHAFT,CONVEYING PULLEY	1	1	1	4
	3BD22030	PULLEY 37/48,DRIVE	1	1	1	8
	3BD22040	PULLEY 31,CONVEYING ROLLER	1	1	1	4
	3BD22050	PULLEY 27, SORT EJECT	1	1	1	3
	3BD22060	PULLEY 22,COUPLING	1	1	1	8
	3BD22070	TENSION PLATE A,FEED SHIFT DRIVE	1	1	1	8
	3BD22080	SHAFT,MAIN DRIVE	1	1	1	8
	3BD22090	SHAFT 45/28/40/30,IDLE	1	1	1	8
●	3BD22100	BELT,FEED SHIFT DRIVE	1	1	1	8
●	3BD22110	BELT,PUNCH DRIVE	1	1	1	8
	3BD22120	SHAFT 40/21,IDLE	1	1	1	8
	3BD22130	PIN,PADDLE CLUTCH(M4)	1	1	1	8
	3BD22150	JOINT,TORQUE LIMITER	1	1	1	8
●	3BD22160	TORQUE LIMITER,DRIVE	1	1	1	8
●	3BD22170	BELT,MIDDLE DRIVE	1	1	1	8
●	3BD22180	BELT,EJECT DRIVE	1	1	1	4
	3BD22190	SUPPORT PLATE,DRIVE	1	1	1	8
	3BD22200	TENSION PLATE C,DRIVE	1	1	1	8
	3BD22210	MOUNT,PADDLE IDLE	1	1	1	8

• Parts with "●" indicates the Service parts.

SP	Part. No.	Description	Quantity			Fig. No.
			120V	230V	240V	
	3BD22220	GEAR 31,FEED SHIFT DRIVE	1	1	1	8
	3BD22230	GEAR 42,PADDLE INPUT	1	1	1	8
	3BD22240	GEAR 20/22,PADDLE IDLE	1	1	1	8
	3BD22250	GEAR 17,FEED SHIFT ROLLER	1	1	1	5
	3BD22261	SUPPORT PLATE,IDLE PUNCH	1	1	1	8
●	3BD27010	MOTOR,MAIN	1	1	1	8
●	3BD27021	IC,ROM	1	1	1	10
	3BD27500	WIRE,MAIN	1	1	1	11
	3BD27510	FRONT WIRE	1	1	1	11
	3BD27520	REAR WIRE	1	1	1	11
	3BD27540	JUNCTION WIRING,TRAILING EDGE HOLDER SOLENOID	1	1	1	3
●	3BD68010	MAIN PCB ASS'Y SP	1	1	1	10
	33406500	HANDLE,REGISTRATION	1	1	1	6
	33420250	SPRING,FIXING CLAW	2	2	2	3,4
●	33906070	TORQUE LIMITER,PAPER FEED	2	2	2	4,8
	33906880	STOPPER,BYPASS TABLE	2	2	2	1
	33920500	RETAINING PIN,FIXING GUIDE	2	2	2	12
	34806140	STOPPER 4	4	4	4	3,4
	34806150	STOPPER 5	18	19	19	4,5,9
	34922280	PULLEY 30	1	1	1	8
	34922570	GEAR 23,DEVELOPING	1	1	1	8
●	35327400	SWITCH,FEED	7	7	7	3,6,10
	35912480	SPRING,SCANNER WIRE	1	1	1	8
	36714130	GEAR 27,DEVELOPING	1	1	1	8
	36802270	REINFORCEMENT,RELEASE LEVER	1	1	1	2
	36804130	LEVER,RELEASE	1	1	1	2
●	36805211	LABEL,OPERATION PAPER SET(USA)	1			1
●	36805221	LABEL,OPERATION PAPER SET(EUR)		1	1	1
	36807290	SPRING,STOPPER MIDDLE TRAY	1	1	1	5
●	36827140	SWITCH A,INTERLOCK	2	2	2	10
●	36882040	SET STAPLE CARTRIDGE	2	2	2	12
●	36993200	PARTS,CLUTCH PAPER FEED,SP	1	1	1	8
	48127502	PIN,SEPARATION PULLEY	3	3	3	2,3,4
	48128609	PIN,UPPER FRONT COVER	2	2	2	2
	48128807	PIN,FRAME	3	3	3	2,7
	48529303	SPRING,TENSION	3	3	3	4,8
	48928800	PULLEY,TIMING BELT	5	6	6	4,5,8,9
	49021100	BUSHING	5	5	5	3
	49028101	BUSH 8	1	1	1	3
	49028102	BUSH 4	4	4	4	9

• Parts with "●" indicates the Service parts.

SP	Part. No.	Description	Quantity			Fig. No.
			120V	230V	240V	
	49028112	BUSHING 8,LOWER REG.ROLLER	1	1	1	6
	60116080	PIN RAIL DEV.	2	2	2	8
	60804120	MAGNET CATCH	3	3	3	6,7,10
	60907170	CUSHION,CASSETTE R	2	2	2	6
	61715510	PULLEY,SHUTTER	2	2	2	8,9
	61715570	SPONGE,SOLENOID	2	2	2	5
	62221110	PULLEY,FEEDBACK	4	4	4	4,5
●	62227070	SOLENOID B,FEED SHIFT	2	2	2	4
	63202120	SUPPORT PLATE,COVER	2	2	2	4
●	63212210	STATIC ELIMINATOR,EJECT	2	2	2	1,4
●	63213261	PAD, EJECT ORIGINAL HOLDER	2	2	2	3
	63213300	RETAINER,EJECT ORIGINAL HOLDER	2	2	2	3
	63213320	CUSHION,ORIGINAL COLLECTION	3	3	3	3,4
●	63227020	SWITCH,FEED	1	1	1	10
●	63227050	SOLENOID,STOPPER	1	1	1	8
	63416200	PULLEY 34,CONVEYING	1	1	1	3
	63511091	SPRING,ADF HOOK	1	1	1	8
	63511220	STOP RING,4	3	3	3	6,7
	63527200	GROUND WIRE,STATIC ELIMINATOR	1	1	1	1
	63568070	GROUND WIRE,FEED ROLLER	1	1	1	5
	63822350	SPRING,JOINT	1	1	1	6
	65016080	STOP RING E3	4	4	4	4,6
	65710370	SPRING,ORIGINAL DETECTION HOLDER	1	1	1	7
	65926530	SPRING,SAFETY SWITCH	2	2	2	1
	66220160	STATIC ELIMINATOR,PRESSURE ROLLER	1	1	1	4
●	66827020	SOLENOID,FEED	1	1	1	4
	67322230	BUSHING 8	4	4	4	4,6,8
	68322210	PULLEY,21 IDLE	1	1	1	8
●	68727090	SOLENOID,REFEED	1	1	1	3
	69914030	GEAR,MAGNET ROLLER	1	1	1	8
	71807040	BUSHING 8,PF	1	1	1	8
●	71807711	SWITCH,DUPLEX PAPER	1	1	1	3
	71821221	PIN,LOOP GUIDE	2	2	2	8
	71907120	SPRING,DUPLEX STOPPER	2	2	2	4
	72622141	TENSION PULLEY 20	1	1	1	8
	72914140	REAR BUSHING,TONER RECYCLE	2	2	2	4
	72918050	PIN,BLADE ARM	1	1	1	8
	73202040	RUBBER,SPACER	2	2	2	4
	73210450	BUSH, 6	3	3	3	3,4
	73226040	SPRING,REVERSE SOLENOID	4	4	4	4,5

SP	Part. No.	Description	Quantity			Fig. No.
			120V	230V	240V	
	73818100	SPRING, BLADE THRUST	1	1	1	8
	73912281	PIN, ORIGINAL HOLDER	1	1	1	3
	74718091	BUSHING CLEANING UNIT	3	3	3	8
	74808080	BEARING, 686ZZNR	5	5	5	3,8
	75402210	CUSHION STAY	2	2	2	1
●	75416230	STATIC ELIMINATOR SORT BIN	1	1	1	4
	75914020	RELEASE SPRING MAIN DEVELOPING UNIT	2	2	2	2
	76508160	COLLAR ORIGINAL CONVEYING SECTION	2	2	2	1
	76514050	PULLEY 20 DRIVE	2	2	2	9
	76514080	BUSHING 6 DRIVE	3	3	3	3,5
	78710370	CUSHION UPPER LOOP	3	3	3	4,6
●	78727110	JAM DETECTION SWITCH	1	1	1	6
	78918290	FLANGE PULLEY 27	1	1	1	3
	B1094080	CROSS-RECESSED HEAD TAPPING P REW M4X08	2	2	2	12
	B4104060	TRIPLE SCREW M4X6(CHROMIUM)	4	4	4	12
	B4104140	TRIPLE SCREW M4X14(CHROMIUM)	2	2	2	12
	B4304100	TRIPLE SCREW M4X10 (BLACK)	2	2	2	12
	C1054070	DOMED CAP NUT M4(CLASS 2)	2	2	2	12
	J0080030	RECEPTACLE EI 3P,171822-3	1	1	1	7
	J0080900	SOCKET,170205-1(AMP)	3	3	3	7
	J0150030	RECEPTACLE,175778-3(AMP)	4	4	4	7
	J0150900	CONTACTOR,175161-1(AMP)	12	12	12	7
	J0200060	PLUG,PHR-6(JST)	2	2	2	7
	J0241020	PLUG SM 2P,SMP-02V-BC	2	2	2	5,7
	J0242900	PIN SM,BYP-001T-0.6	3	3	3	5
	J0243030	RECEPTACLE SM 3P,SMR-03V-B	1	1	1	5
	J0250900	SOCKET,BHF-001T-0.8SS	4	4	4	5,7
	J0311130	RECEPTACLE,5480-13(MOLEX)	2	2	2	7
	J0311900	SOCKET,5479PBT	22	22	22	7
	J0421080	SOCKET 8P,DF1B-8DS-2.5RC	1	1	1	7
	J0421900	CONTACTOR,DF1B-2428SC(HIROSE)	8	8	8	7
	J0450020	PLUG,DF3-2S-2C(HIROSE)	1	1	1	5
	J0450900	SOCKET,DF3-2428SC(HIROSE)	2	2	2	5
	J0452900	PIN,DF3-EP2428PC(HIROSE)	7	7	7	5
	J0453070	PRUG,DF3-7EP-2C(HIROSE)	1	1	1	5
	J5080120	RECEPTACLE,PHDR-12VS(JST)	1	1	1	7
	J5080320	RECEPTACLE,PHDR-32VS(JST)	1	1	1	7
	J5080900	SOCKET,BPHD-002T-P0.5(JST)	43	43	43	7
	M0207000	BINDING BAND,KB-100-1	1	1	1	8
	M1203220	OPEN BUSHING,OCB-625	1	1	1	2

• Parts with "●" indicates the Service parts.

SP	Part. No.	Description	Quantity			Fig. No.
			120V	230V	240V	
	M1203240	OPEN BUSHING,OCB-500	5	5	5	3,8,10
	M1203510	OPEN BUSHING,OCB-1000	1	1	1	2
	M1203550	STRAIN RELEAF BUSHING,SR-7W-2	1	1	1	10
	M2104100	EDGING CE-012	1	1	1	7
	M2104200	EDGING EDS-1	7	7	7	2,5,9,10
	M2104260	EDGING,EDS-0607U(KITAGAWA)	2	2	2	4,7
	M2104350	EDGING,EDS-0607M(KITAGAWA)	2	2	2	4,10
	M2107120	BINDING BAND SG-130	25	25	25	3,5,6,7, 8,9,10
	M2109230	WIRE SADDLE,LWS-3S(KITAGAWA)	12	12	12	2,4,7,8,10
	M2109260	WIRE SADDLE,YMC-05-H-0(KITAGAWA)	9	9	9	2,3,4,6,9
	M2607010	BINDING BAND,PLT1M	1	1	1	5,6,7

CLASSIFICATION OF THE SCREWS IN ILLUSTRATION

<u>REF.</u>	<u>ITEM #</u>	<u>DESCRIPTION</u>	<u>REF.</u>	<u>ITEM #</u>	<u>DESCRIPTION</u>	<u>REF.</u>	<u>ITEM #</u>	<u>DESCRIPTION</u>
APE	B3013960	ROUND HEAD TAP-TIGHT SCREW P,M3X06	BHF	B3314080	BINDING TAP-TITE P SCREW M4X08	KAK	E0020080	SPRING PIN 2X8
APN	B3013120	+PAN HEAD TAP-P TIGHT SCREW M3X12	BHN	B8013080	BINDING TAP-TIGHT SCREW M3X08	KAL	E0020100	SPRING PIN 2X10
AWC	B0324060	ROUND HEAD SCREW WITH SW.W M4X6 (BLACK)	BHT	B8313060	BINDING TAP-TITE P SCREW M3X06	KAM	E0020120	SPRING PIN 2X12
AZA	B0024060	ROUND HEAD SCREW WITH SW.W M4X6	BHV	B3313060	+BINDING TAP-TIGHT P BRONZE SCREW M3X06	KAN	E0020140	SPRING PIN 2X14
AZB	B0024120	ROUND HEAD SCREW WITH SW.W M4X12	DJV	B5393040	W-POINT SET SCREW M3X04	KAO	E0020160	SPRING PIN 2X16
BAA	B1003040	BINDING SCREW,CVM3X4	E04	D1000400	STOP RING (E-4)	KAV	E0030120	SPRING PIN 3X12
BAL	B1003050	BINDING SCREW CVM3X5	E05	D1000500	STOP RING (E-5)	KBD	E0130280	SPRING PIN 3X28(SUS)
BAN	B1004060	BINDING SCREW CVM4X6	E07	D1000700	STOP RING (E-7)	KBE	E0120220	SPRING PIN 2X22(SUS)
BAP	B1003100	BINDING SCREW CVM3X10	HAB	B4003040	TRIPLE SCREW M3X4	KFC	E5120200	SPRING PIN H7A 2X20 SUS
BAX	B1004040	BINDING SCREW CVM4X4	HAD	B4003050	TRIPLE SCREW M3X05	KKH	E0120200	SPRING PIN 2X20(SUS)
BBB	B1303050	BINDING SCREW BVM3X5 (BLACK)	HAI	B4004060	TRIPLE SCREW M4X06(BLACK)	KKJ	E0025250	SPRING PIN 2.5X25
BBC	B1303100	BINDING SCREW BVM3X10 (BLACK)	HAO	B4043080	TRIPLE TAP-TITE P SCREW M3X08	KKK	E0025120	SPRING PIN 2.5X12
BBD	B1304040	BINDING SCREW BVM4X4 (BLACK)	HAV	B4044080	+TP TAP TIGHT P CHROMATE M4X08	NAK	C1014000	NUT NSM4
BBE	B1304060	BINDING SCREW BVM4X6 (BLACK)	HBA	B4303050	TRIPLE SCREW M3X5 (BLACK)	RFH	D5000800	RETAINING RING GTW-8
BBF	B1304080	BINDING SCREW BVM4X8 (BLACK)	HBB	B4303100	TRIPLE SCREW M3X10 (BLACK)	RPU	D4102100	STOP RING CRESCENT 5103-21
BBP	B1303120	BINDING SCREW BVM3X12 (BLACK)	HBC	B4304060	TRIPLE SCREW M4X6 (BLACK)	WAB	C2003080	PLAIN WASHER PWM3
BBQ	B1300100	BINDING SCREW BVM2.3X10 (BLACK)	HCA	B4104060	TRIPLE SCREW M4X6(CHROMIUM)	WBB	C2304080	PLAIN WASHER BPWM4-8 (BLACK)
BBU	B1303140	BINDING SCREW BVM3X14 (BLACK)	HDA	B4343060	TRIPLE TAP-TITE P SCREW M3X06(BLACK)	WPC	C2804060	POLY-SLIDER WASHER 4.2X6.5X1.0T
BCK	B1103050	BINDING SCREW CV3X5	HDB	B4343080	TRIPLE TAP-TITE P SCREW M3X08(BLACK)	WPF	C2805090	POLYESTER SLIDER WASHER 5.1X9.5X0.3T
BGF	B1244040	BINDING SCREW WITH LOCK M4X4	HDD	B4344120	TRIPLE TAP-TITE P SCREW M4X12(BLACK)	XAF	C2895110	SHIM 8.2-0.13T
						YAA	E9000080	PIN SNAP P8

KYOCERA MITA AMERICA, INC.

Headquarters:

225 Sand Road, P.O. Box 40008
Fairfield, New Jersey 07004-0008
TEL : (973) 808-8444
FAX : (973) 882-6000

New York Show Room:

149 West 51st street,
New York, NY 10019
TEL : (212) 554-2679
FAX : (212) 554-2625

Northeastern Region:

225 Sand Road, P.O. Box 40008
Fairfield, New Jersey 07004-0008
TEL : (973) 808-8444
FAX : (973) 882-4401

Midwestern Region:

201 Hansen Court Suite 119
Wood Dale, Illinois 60191
TEL : (630) 238-9982
FAX : (630) 238-9487

Western Region:

14101 Alton Parkway,
P.O.Box 57006, Irvine,
California 92618-7006
TEL : (949) 457-9000
FAX : (949) 457-9119

Southeastern Region:

1500 Oakbrook Drive,
Norcross, Georgia 30093
TEL : (770) 729-9786
FAX : (770) 729-9873

Southwestern Region:

2825 West Story Road,
Irving, Texas 75038-5299
TEL : (972) 550-8987
FAX : (972) 570-4704

Dallas Parts Distribution Center & National Training Center:

2825 West Story Road,
Irving, Texas 75038-5299
TEL : (972) 659-0055
FAX : (972) 570-5816

KYOCERA MITA CANADA, LTD.

6120 Kestrel Road,
Mississauga, Ontario L5T 1S8
TEL : (905) 670-4425
FAX : (905) 670-8116

KYOCERA MITA MEXICO, S.A. DE C.V.

Av. 16 de Septiembre #407
Col. Santa Inés,
Delegación Azcapotzalco
México, D.F. C.P. 02130
TEL : 3-83-27-41
FAX : 3-83-78-04

© 2000 KYOCERA MITA CORPORATION

 **KYOCERA** is a trademark of Kyocera Corporation

mita is a registered trademark of KYOCERA MITA CORPORATION

Printed in U.S.A.