



MINOLTA

Parts Manual

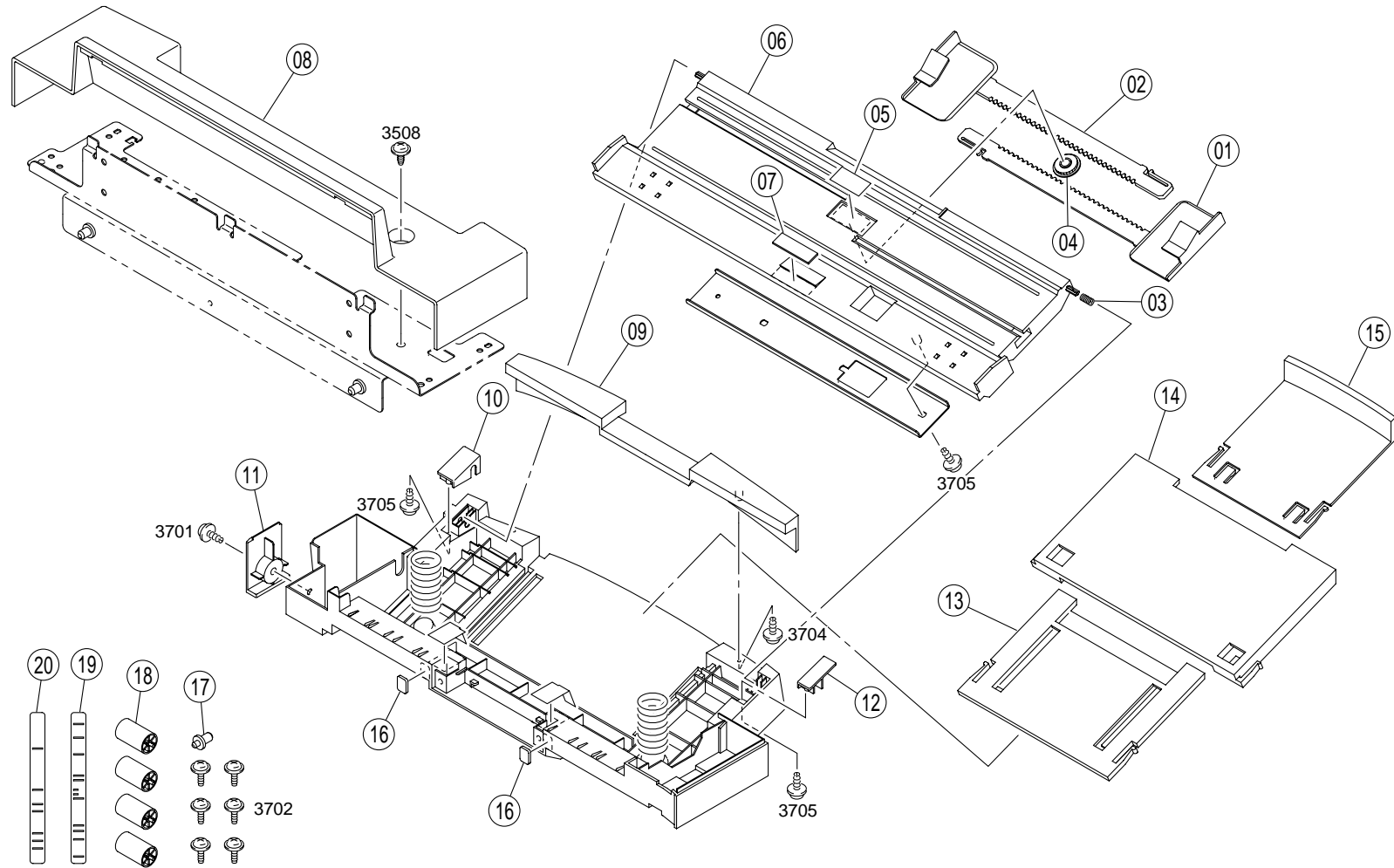
The essentials of imaging

MB-5

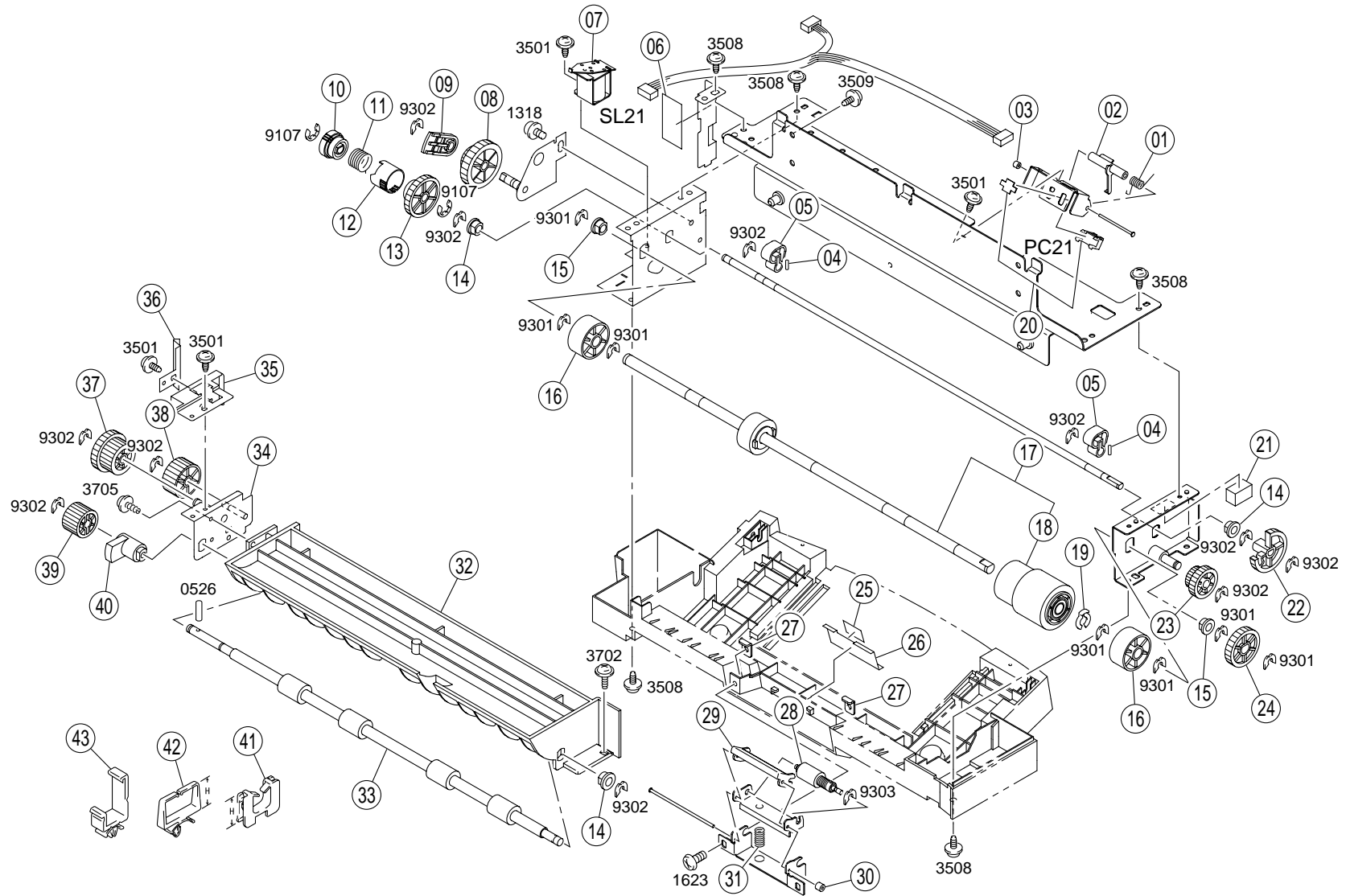
CONTENTS

1. PAPER TRAY SECTION 1
2. PAPER TAKE-UP SECTION 3
3. SCREWS AND WASHERS 5
4. NUMERICAL INDEX 6

OCTOBER 2001



| INDEX | PART NO. | PART NAME | REC | QTY | INDEX | PART NO. | PART NAME | REC | QTY |
|-------|--------------|------------------|-----|-----|-------|--------------|--------------|-----|-----|
| 01 | 4687-3216-01 | REGULATING PLATE | | 1 | 19 | 4687-7301-02 | LABEL METRIC | | 1 |
| 02 | 4687-3215-01 | REGULATING PLATE | | 1 | 20 | 4687-7302-01 | LABEL INCH | | 1 |
| 03 | 4687-3211-02 | PRESSURE SPRING | | 1 | | | | | |
| 04 | 0957-3104-01 | GEAR 14T | | 1 | | | | | |
| 05 | 4687-7303-01 | LABEL | | 1 | | | | | |
| 06 | 4687-3206-03 | LIFTING PLATE | | 1 | | | | | |
| 07 | 4687-3281-01 | FRICTION SHEET | | 1 | | | | | |
| 08 | 4687-3234-02 | COVER | | 1 | | | | | |
| 09 | 4687-3235-02 | COVER | | 1 | | | | | |
| 10 | 4687-3207-01 | COVER | | 1 | | | | | |
| 11 | 4687-3233-02 | COVER | | 1 | | | | | |
| 12 | 4687-3208-01 | COVER | | 1 | | | | | |
| 13 | 4687-3232-01 | TRAY | | 1 | | | | | |
| 14 | 4687-3231-02 | TRAY | | 1 | | | | | |
| 15 | 4687-3224-01 | TRAY | | 1 | | | | | |
| 16 | 4687-3280-01 | SPACER | | 2 | | | | | |
| 17 | 4687-3271-01 | PIN | | 1 | | | | | |
| 18 | 4687-3262-01 | ROLL | | 4 | | | | | |
| INDEX | PART NO. | PART NAME | REC | QTY | SFIX | | | | |
| | | | | | | | | | |

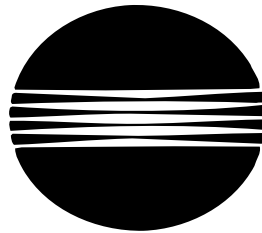


| INDEX | PART NO. | PART NAME | REC | QTY | INDEX | PART NO. | PART NAME | REC | QTY |
|-------|--------------|--------------------------------|-----|-----|-------|--------------|-----------------------|-----|-----|
| 01 | 4687-3267-01 | TORSION SPRING | | 1 | 23 | 4687-3222-01 | GEAR 22/30T | | 1 |
| 02 | 4687-3227-01 | ACTUATOR | | 1 | 24 | 4687-3221-01 | GEAR 38T | | 1 |
| 03 | 1200-2105-06 | RETAINING RING | | 1 | 25 | 4687-3254-01 | GUIDE | | 1 |
| 04 | 4687-3272-01 | PIN | | 2 | 26 | 4687-3253-01 | GUIDE PLATE | | 1 |
| 05 | 4687-3209-01 | CAM | | 2 | 27 | 4687-3255-02 | BRACKET | | 2 |
| 06 | 4687-3276-01 | GUIDE | | 1 | 28 | 4658-0151-01 | ROLLER ASSY SEPARATOR | RP | 1 |
| 07 | 9321-2100-11 | SOLENOID (SL21) | | 1 | 29 | 4687-3258-01 | GUIDE | | 1 |
| 08 | 4687-3217-02 | GEAR 20/24T | | 1 | 30 | 4658-3047-01 | COLLAR | | 1 |
| 09 | 4687-3278-01 | LEVER | | 1 | 31 | 4687-3256-01 | PRESSURE SPRING | | 1 |
| 10 | 4687-3260-02 | COLLAR | | 1 | 32 | 4687-3246-03 | GUIDE | | 1 |
| 11 | 4687-3266-01 | CLUTCH | RP | 1 | 33 | 4687-3203-01 | ROLLER | | 1 |
| 12 | 4687-3265-02 | RATCHET | | 1 | 34 | 4687-0201-02 | BRACKET ASSY | | 1 |
| 13 | 4687-3219-01 | GEAR 42T | | 1 | 35 | 4687-3270-03 | BRACKET | | 1 |
| 14 | 1274-2611-01 | BUSHING | | 3 | 36 | 4687-3279-01 | REGULATING PLATE | | 1 |
| 15 | 4658-3517-01 | BUSHING | | 2 | 37 | 4687-3242-01 | GEAR 18/40T | | 1 |
| 16 | 4687-3261-01 | ROLL | | 2 | 38 | 4687-3204-01 | GEAR 20T | | 1 |
| 17 | 4687-0751-01 | ROLLER ASSY | | 1 | 39 | 4687-3214-01 | GEAR 29T | | 1 |
| 18 | 4687-3257-01 | ROLLER TAKE-UP | RP | 1 | 40 | 4687-3275-01 | BUSHING | | 1 |
| 19 | 4658-3046-01 | STOP RING | | 1 | 41 | 9384-2010-21 | EDGE COVER 8.5H | | 3 |
| 20 | 4686-0901-01 | PHOTO INTERRUPTER ENPTY (PC21) | | 1 | 42 | 9384-1310-81 | WIRING SADDLE 6.4H | | 6 |
| 21 | 4687-3212-03 | BRAKE | | 1 | 43 | 9384-1310-91 | WIRING SADDLE 18.5H | | 2 |
| 22 | 4687-3223-02 | GEAR 30T | | 1 | | | | | |
| INDEX | PART NO. | PART NAME | REC | QTY | SFIX | | | | |
| | | | | | | | | | |

4

NUMERICAL INDEX

| PART NO. | FIG. | INDEX | QTY | | PART NO. | FIG. | INDEX | QTY | | PART NO. | FIG. | INDEX | QTY | | PART NO. | FIG. | INDEX | QTY | |
|--------------|------|-------|-----|--|----------|------|-------|-----|--|----------|------|-------|-----|--|----------|------|-------|-----|--|
| 0957-3104-01 | 01 | 04 | 1 | | | | | | | | | | | | | | | | |
| 1200-2105-06 | 02 | 03 | 1 | | | | | | | | | | | | | | | | |
| 1274-2611-01 | 02 | 14 | 3 | | | | | | | | | | | | | | | | |
| 4658-0151-01 | 02 | 28 | 1 | | | | | | | | | | | | | | | | |
| 4658-3046-01 | 02 | 19 | 1 | | | | | | | | | | | | | | | | |
| 4658-3047-01 | 02 | 30 | 1 | | | | | | | | | | | | | | | | |
| 4658-3517-01 | 02 | 15 | 2 | | | | | | | | | | | | | | | | |
| 4686-0901-01 | 02 | 20 | 1 | | | | | | | | | | | | | | | | |
| 4687-0201-02 | 02 | 34 | 1 | | | | | | | | | | | | | | | | |
| 4687-0751-01 | 02 | 17 | 1 | | | | | | | | | | | | | | | | |
| 4687-3203-01 | 02 | 33 | 1 | | | | | | | | | | | | | | | | |
| 4687-3204-01 | 02 | 38 | 1 | | | | | | | | | | | | | | | | |
| 4687-3206-03 | 01 | 06 | 1 | | | | | | | | | | | | | | | | |
| 4687-3207-01 | 01 | 10 | 1 | | | | | | | | | | | | | | | | |
| 4687-3208-01 | 01 | 12 | 1 | | | | | | | | | | | | | | | | |
| 4687-3209-01 | 02 | 05 | 2 | | | | | | | | | | | | | | | | |
| 4687-3211-02 | 01 | 03 | 1 | | | | | | | | | | | | | | | | |
| 4687-3212-03 | 02 | 21 | 1 | | | | | | | | | | | | | | | | |
| 4687-3214-01 | 02 | 39 | 1 | | | | | | | | | | | | | | | | |
| 4687-3215-01 | 01 | 02 | 1 | | | | | | | | | | | | | | | | |
| 4687-3216-01 | 01 | 01 | 1 | | | | | | | | | | | | | | | | |
| 4687-3217-02 | 02 | 08 | 1 | | | | | | | | | | | | | | | | |
| 4687-3219-01 | 02 | 13 | 1 | | | | | | | | | | | | | | | | |
| 4687-3221-01 | 02 | 24 | 1 | | | | | | | | | | | | | | | | |
| 4687-3222-01 | 02 | 23 | 1 | | | | | | | | | | | | | | | | |
| 4687-3223-02 | 02 | 22 | 1 | | | | | | | | | | | | | | | | |
| 4687-3224-01 | 01 | 15 | 1 | | | | | | | | | | | | | | | | |
| 4687-3227-01 | 02 | 02 | 1 | | | | | | | | | | | | | | | | |
| 4687-3231-02 | 01 | 14 | 1 | | | | | | | | | | | | | | | | |
| 4687-3232-01 | 01 | 13 | 1 | | | | | | | | | | | | | | | | |
| 4687-3233-02 | 01 | 11 | 1 | | | | | | | | | | | | | | | | |
| 4687-3234-02 | 01 | 08 | 1 | | | | | | | | | | | | | | | | |
| 4687-3235-02 | 01 | 09 | 1 | | | | | | | | | | | | | | | | |
| 4687-3242-01 | 02 | 37 | 1 | | | | | | | | | | | | | | | | |
| 4687-3246-03 | 02 | 32 | 1 | | | | | | | | | | | | | | | | |
| 4687-3253-01 | 02 | 26 | 1 | | | | | | | | | | | | | | | | |
| 4687-3254-01 | 02 | 25 | 1 | | | | | | | | | | | | | | | | |
| 4687-3255-02 | 02 | 27 | 2 | | | | | | | | | | | | | | | | |
| 4687-3256-01 | 02 | 31 | 1 | | | | | | | | | | | | | | | | |
| 4687-3257-01 | 02 | 18 | 1 | | | | | | | | | | | | | | | | |
| 4687-3258-01 | 02 | 29 | 1 | | | | | | | | | | | | | | | | |
| 4687-3260-02 | 02 | 10 | 1 | | | | | | | | | | | | | | | | |
| 4687-3261-01 | 02 | 16 | 2 | | | | | | | | | | | | | | | | |
| 4687-3262-01 | 01 | 18 | 4 | | | | | | | | | | | | | | | | |
| 4687-3265-02 | 02 | 12 | 1 | | | | | | | | | | | | | | | | |
| 4687-3266-01 | 02 | 11 | 1 | | | | | | | | | | | | | | | | |
| 4687-3267-01 | 02 | 01 | 1 | | | | | | | | | | | | | | | | |
| 4687-3270-03 | 02 | 35 | 1 | | | | | | | | | | | | | | | | |
| 4687-3271-01 | 01 | 17 | 1 | | | | | | | | | | | | | | | | |
| 4687-3272-01 | 02 | 04 | 2 | | | | | | | | | | | | | | | | |
| 4687-3275-01 | 02 | 40 | 1 | | | | | | | | | | | | | | | | |
| 4687-3276-01 | 02 | 06 | 1 | | | | | | | | | | | | | | | | |
| 4687-3278-01 | 02 | 09 | 1 | | | | | | | | | | | | | | | | |
| 4687-3279-01 | 02 | 36 | 1 | | | | | | | | | | | | | | | | |
| 4687-3280-01 | 01 | 16 | 2 | | | | | | | | | | | | | | | | |
| 4687-3281-01 | 01 | 07 | 1 | | | | | | | | | | | | | | | | |
| 4687-7301-02 | 01 | 19 | 1 | | | | | | | | | | | | | | | | |
| 4687-7302-01 | 01 | 20 | 1 | | | | | | | | | | | | | | | | |
| 4687-7303-01 | 01 | 05 | 1 | | | | | | | | | | | | | | | | |
| 9321-2100-11 | 02 | 07 | 1 | | | | | | | | | | | | | | | | |
| 9384-1310-81 | 02 | 42 | 6 | | | | | | | | | | | | | | | | |
| 9384-1310-91 | 02 | 43 | 2 | | | | | | | | | | | | | | | | |
| 9384-2010-21 | 02 | 41 | 3 | | | | | | | | | | | | | | | | |



MINOLTA

Copyright
2001 MINOLTA CO., LTD.

MINOLTA Co., Ltd.

7665-4687-21 01101600