



MINOLTA

Parts Manual

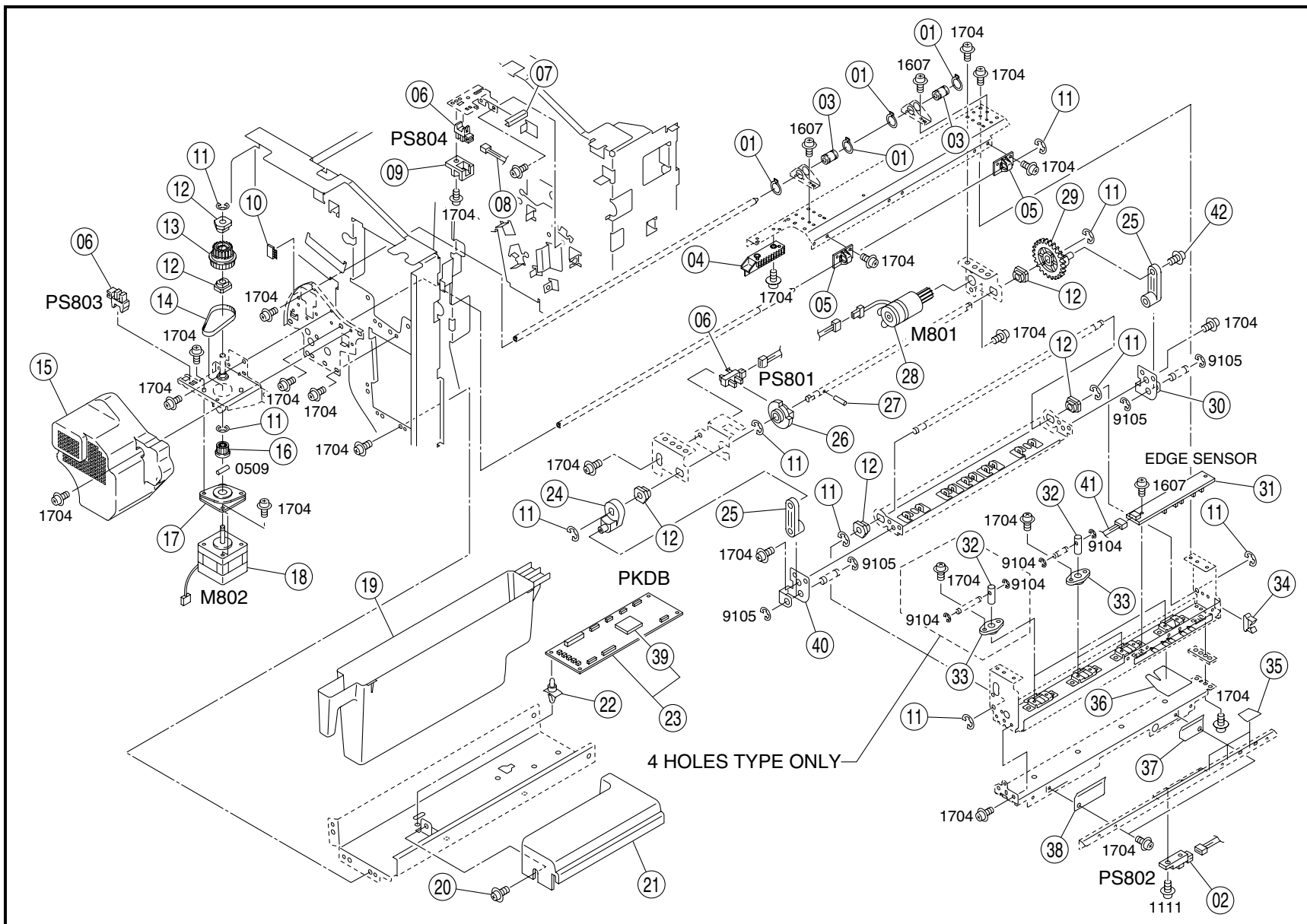
The essentials of imaging

PK-5

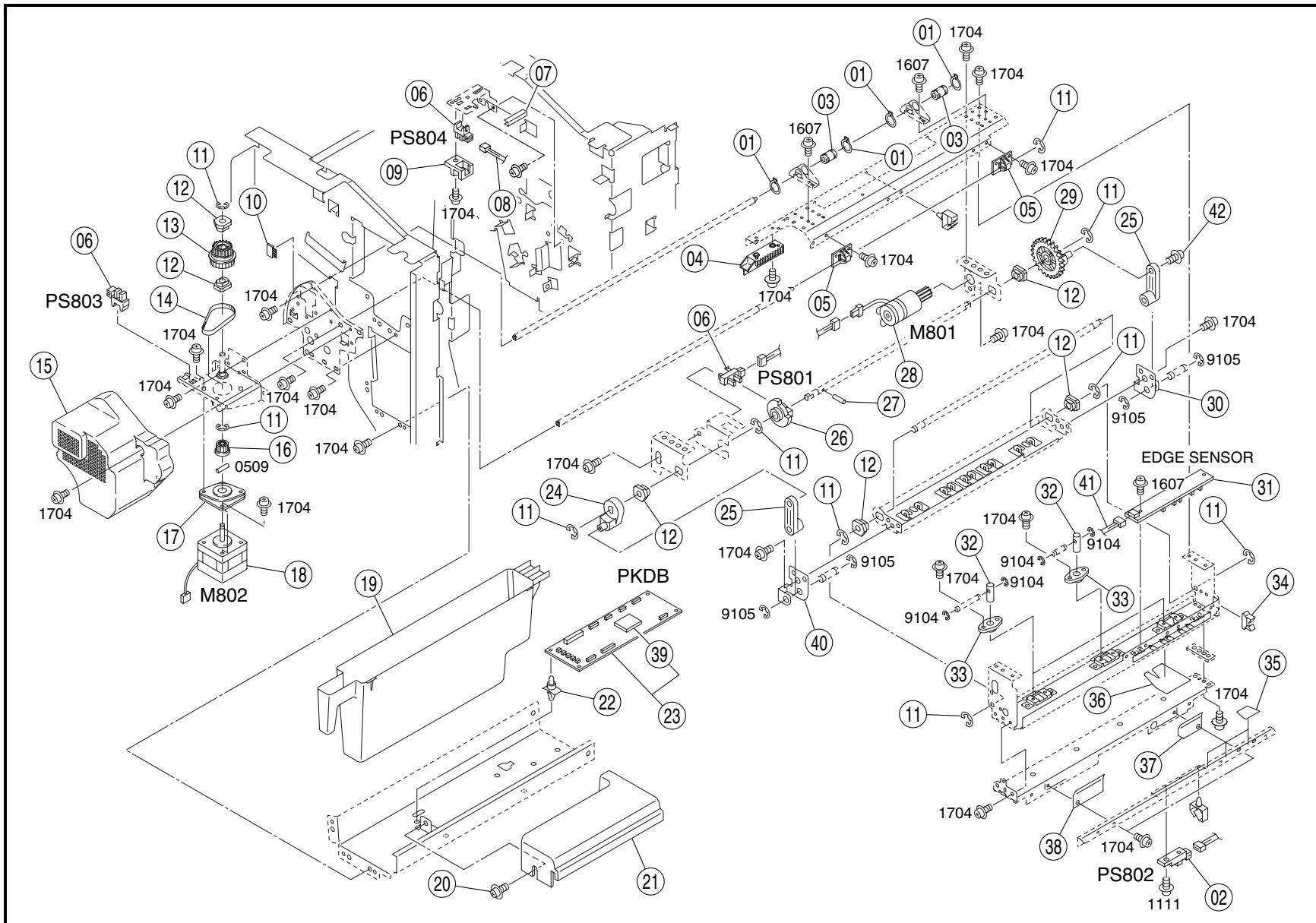
CONTENTS

1. 2 & 4 HOLES TYPE 1
2. 3 HOLES TYPE 3
3. WIRING ACCESSORIES AND JIGS 5
4. SCREWS AND WASHERS 7
5. NUMERICAL INDEX 8

JUNE 2002



INDEX	PART NO.	PART NAME	REC	QTY	INDEX	PART NO.	PART NAME	REC	QTY
01	4380-1240-01	C-RING		4	22	9384-1820-71	PWB SUPPORT		4
02	4024-2032-01	PHOTO INTERRUPTER (PS802)		1	23	4382-1001-01	PWB ASSY DRIVE (PKDB)		1
03	4014-2581-01	BUSHING		2	24	4597-2010-01	LEVER		1
04	4382-1008-01	RACK		1	25	4597-2009-01	ARM		2
05	4382-1007-01	HOLDER		2	26	4597-2008-01	ACTUATOR		1
06	4014-1023-01	PHOTO INTERRUPTER (PS801.803.804)		3	27	4594-2012-01	PIN		1
07	4380-1248-01	EDGE COVER		1	28	4024-2013-01	MOTOR ASSY PUNCH (M801)		1
08	4382-1014-01	WIRE HARNESS ASSY		1	29	4597-2013-01	GEAR		1
09	4594-2099-01	HOLDER		1	30	4597-2006-01	GUIDE PLATE		1
10	4014-2574-01	NEUTRALIZING BRUSH		1	31	4014-2622-01	PWB-SIZE DETECT (EDGE SENSOR)		1
11	4594-2210-01	RETAINING RING		10	32	4597-2004-01	SHAFT		4
12	4014-2382-01	BUSHING		6	33	4597-2005-01	HOLDER		4
13	4382-1012-01	PULLEY		1	34	4014-4054-01	EDGE COVER		1
14	4382-1013-01	BELT		1	35	4382-1006-01	SHEET		3
15	4382-1009-01	COVER		1	36	4382-1005-01	GUIDE		1
16	4382-1011-01	PULLEY		1	37	4382-1003-01	GUIDE		1
17	4382-1017-01	CUSHION		1	38	4382-1004-01	GUIDE		1
18	4382-1016-01	MOTOR SHIFT (M802)		1	39	4382-1002-01	IC		1
19	4382-1018-01	PUNCH TRASH BOX		1	40	4597-2007-01	GUIDE PLATE		1
20	4597-2001-01	SCREW		1	41	4382-1015-01	WIRE HARNESS ASSY		1
21	4597-2003-01	COVER		1	42	4594-2007-01	SCREW		1
INDEX	PART NO.	PART NAME	REC	QTY	SFIX				



INDEX	PART NO.	PART NAME	REC	QTY	INDEX	PART NO.	PART NAME	REC	QTY
01	4380-1240-01	C-RING		4	22	9384-1820-71	PWB SUPPORT		4
02	4024-2032-01	PHOTO INTERRUPTER (PS802)		1	23	4382-1001-01	PWB ASSY DRIVE (PKDB)		1
03	4014-2581-01	BUSHING		2	24	4597-2010-01	LEVER		1
04	4382-1008-01	RACK		1	25	4597-2009-01	ARM		2
05	4382-1007-01	HOLDER		2	26	4597-2008-01	ACTUATOR		1
06	4014-1023-01	PHOTO INTERRUPTER (PS801.803.804)		3	27	4594-2012-01	PIN		1
07	4380-1248-01	EDGE COVER		1	28	4024-2013-01	MOTOR ASSY PUNCH (M801)		1
08	4382-1014-01	WIRE HARNESS ASSY		1	29	4597-2013-01	GEAR		1
09	4594-2099-01	HOLDER		1	30	4597-2006-01	GUIDE PLATE		1
10	4014-2574-01	NEUTRALIZING BRUSH		1	31	4014-2622-01	PWB-SIZE DETECT (EDGE SENSOR)		1
11	4594-2210-01	RETAINING RING		10	32	4597-2015-01	SHAFT		3
12	4014-2382-01	BUSHING		6	33	4597-2016-01	HOLDER		3
13	4382-1012-01	PULLEY		1	34	4014-4054-01	EDGE COVER		1
14	4382-1013-01	BELT		1	35	4382-1006-01	SHEET		3
15	4382-1009-01	COVER		1	36	4382-1005-01	GUIDE		1
16	4382-1011-01	PULLEY		1	37	4382-1003-01	GUIDE		1
17	4382-1017-01	CUSHION		1	38	4382-1004-01	GUIDE		1
18	4382-1016-01	MOTOR SHIFT (M802)		1	39	4382-1002-01	IC		1
19	4382-1018-01	PUNCH TRASH BOX		1	40	4597-2007-01	GUIDE PLATE		1
20	4597-2001-01	SCREW		1	41	4382-1015-01	WIRE HARNESS ASSY		1
21	4597-2003-01	COVER		1	42	4594-2007-01	SCREW		1
INDEX	PART NO.	PART NAME	REC	QTY	SFIX				

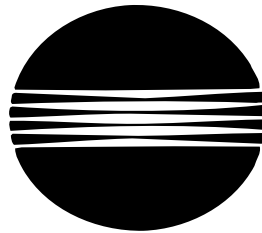
INDEX	PART NO.	PART NAME	REC	QTY	INDEX	PART NO.	PART NAME	REC	QTY
01	4433-6752-01	WIRING SADDLE		1					
02	4474-6755-01	WIRING SADDLE		3					
INDEX	PART NO.	PART NAME	REC	QTY	SFIX				

5

NUMERICAL INDEX

PK-5

PART NO.	FIG.	INDEX	QTY		PART NO.	FIG.	INDEX	QTY		PART NO.	FIG.	INDEX	QTY		PART NO.	FIG.	INDEX	QTY	
4014-1023-01	01	06	3		4597-2006-01	01	30	1											
4014-1023-01	02	06	3		4597-2006-01	02	30	1											
4014-2382-01	01	12	6		4597-2007-01	01	40	1											
4014-2382-01	02	12	6		4597-2007-01	02	40	1											
4014-2574-01	01	10	1		4597-2008-01	01	26	1											
4014-2574-01	02	10	1		4597-2008-01	02	26	1											
4014-2581-01	01	03	2		4597-2009-01	01	25	2											
4014-2581-01	02	03	2		4597-2009-01	02	25	2											
4014-2622-01	01	31	1		4597-2010-01	01	24	1											
4014-2622-01	02	31	1		4597-2010-01	02	24	1											
4014-4054-01	01	34	1		4597-2013-01	01	29	1											
4014-4054-01	02	34	1		4597-2013-01	02	29	1											
4024-2013-01	01	28	1		4597-2015-01	02	32	3											
4024-2013-01	02	28	1		4597-2016-01	02	33	3											
4024-2032-01	01	02	1		9384-1820-71	01	22	4											
4024-2032-01	02	02	1		9384-1820-71	02	22	4											
4380-1240-01	01	01	4																
4380-1240-01	02	01	4																
4380-1248-01	01	07	1																
4380-1248-01	02	07	1																
4382-1001-01	01	23	1																
4382-1001-01	02	23	1																
4382-1002-01	01	39	1																
4382-1002-01	02	39	1																
4382-1003-01	01	37	1																
4382-1003-01	02	37	1																
4382-1004-01	01	38	1																
4382-1004-01	02	38	1																
4382-1005-01	01	36	1																
4382-1005-01	02	36	1																
4382-1006-01	01	35	3																
4382-1006-01	02	35	3																
4382-1007-01	01	05	2																
4382-1007-01	02	05	2																
4382-1008-01	01	04	1																
4382-1008-01	02	04	1																
4382-1009-01	01	15	1																
4382-1009-01	02	15	1																
4382-1011-01	01	16	1																
4382-1011-01	02	16	1																
4382-1012-01	01	13	1																
4382-1012-01	02	13	1																
4382-1013-01	01	14	1																
4382-1013-01	02	14	1																
4382-1014-01	01	08	1																
4382-1014-01	02	08	1																
4382-1015-01	01	41	1																
4382-1015-01	02	41	1																
4382-1016-01	01	18	1																
4382-1016-01	02	18	1																
4382-1017-01	01	17	1																
4382-1017-01	02	17	1																
4382-1018-01	01	19	1																
4382-1018-01	02	19	1																
4433-6752-01	03	01	1																
4474-6755-01	03	02	3																
4594-2007-01	01	42	1																
4594-2007-01	02	42	1																
4594-2012-01	01	27	1																
4594-2012-01	02	27	1																
4594-2099-01	01	09	1																
4594-2099-01	02	09	1																
4594-2210-01	01	11	10																
4594-2210-01	02	11	10																
4597-2001-01	01	20	1																
4597-2001-01	02	20	1																
4597-2003-01	01	21	1																
4597-2003-01	02	21	1																
4597-2004-01	01	32	4																
4597-2005-01	01	33	4																



MINOLTA

Copyright
2002 MINOLTA Co., Ltd.

Use of this catalog should be strictly supervised to avoid disclosure
of confidential information.

MINOLTA Co., Ltd.

7665-4382-21 02061000