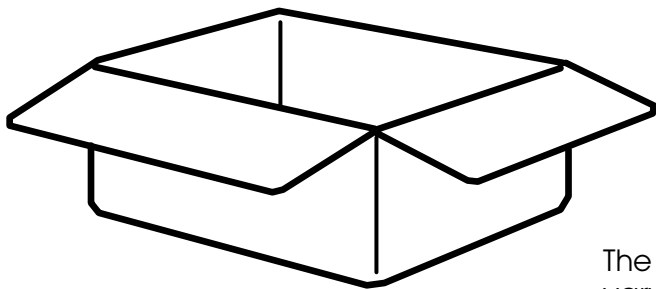


\* The power cord may come attached to the printer in certain locations.

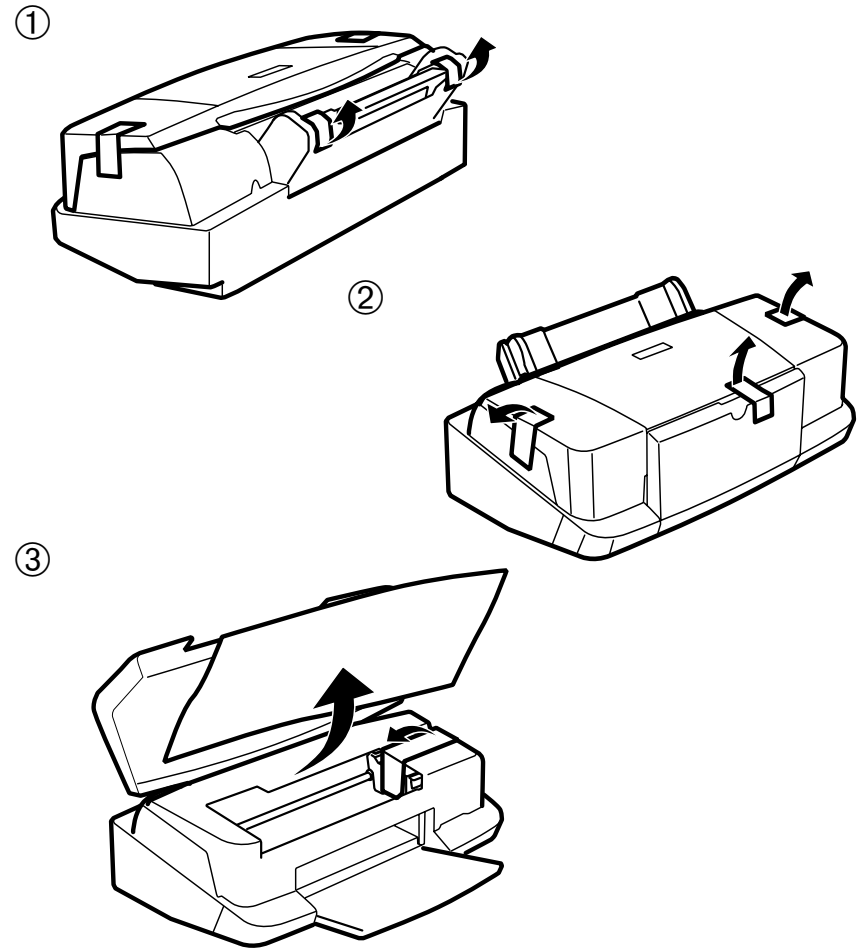


The package contents may vary in certain locations.

## Removing the Shipping Materials

Remove all tape and protective materials attached to the printer.

\* The number of tape strips used may vary from what is shown.



**Next:**  
See the back side of this sheet.

# Getting Started...

Here's how to print your first page.

① **Unpack the printer**  
See the back of this sheet.

② **Set up the printer**

Attach the paper support



Plug in the printer



Connect the printer to your computer



Install the printer software



Install the ink cartridges



Check the printer

③ **Print your first page**

# Where To Find Information



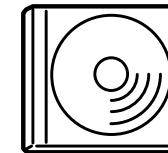
## Setup Guide

This guide contains information on setting up your printer and installing the printer software. Follow the instructions in this guide when installing the printer driver.



## Daily Use Guide

This manual gives you quick access to basic information on daily operation.



## Online Guide CD-ROM

### Reference Guide\*

When you want to know more about your printer, see this online guide. It includes detailed information on making printer driver settings, printing on special paper, and troubleshooting.

### Color Guide\*

Read this online guide to learn the basics and beyond of color printing. It includes samples and troubleshooting information to help answer your color printing questions.

\* You need a Web browser installed on your computer to view these guides. See the Daily Use Guide for more details.