

EPSON STYLUS™ **PRO 10000/10000CF**

***Unpacking  
and Assembly Guide***

---



---

# Contents

---

Choosing a Place for the Printer . . . . .	2
Deciding Where to Unpack the Printer . . . . .	2
Unpacking and Assembling the Base Unit . . . . .	2
Unpacking the base unit . . . . .	2
Assembling the base unit . . . . .	3
Assembling the Printer . . . . .	4
Unpacking the printer unit . . . . .	4
Checking the printer unit box contents . . . . .	5
Mounting the printer unit on the base unit. . . . .	5
Attaching the paper basket . . . . .	7
Connecting the power cord . . . . .	9
Reusing the Packaging . . . . .	9

## Important:

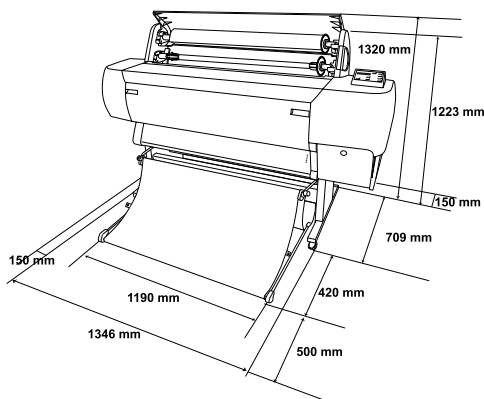
To avoid damage to the unit, read this manual and follow the instructions carefully.

---

### Choosing a Place for the Printer

---

- ❑ Leave adequate room for easy operation, maintenance and ventilation.
- ❑ Choose a location that can hold the printer weight (about 132 kg with stand).
- ❑ Make sure the surface is flat and stable.
- ❑ Use a grounded power outlet; do not use a damaged or frayed power cord. Avoid using an outlet that is shared with other appliances.
- ❑ Use only an outlet that meets the power requirements of this printer.



- ❑ Operate the printer under the following conditions:  
Temperature: 10 to 35°C  
Humidity 20 to 80% without condensation
- ❑ Avoid locations that are subject to direct sunlight, excessive heat, moisture, or dust.
- ❑ Do not block the ventilation openings.
- ❑ Avoid locations near potential sources of interference such as loud speakers or cordless phones.

- ❑ Avoid locations near TVs, radios, air conditioners, or humidifiers.
- ❑ Avoid locations that are subject to shocks or vibrations.
- ❑ Keep the printer away from combustible substances.
- ❑ Keep the printer away from dusty areas.

---

### Deciding Where to Unpack the Printer

---

- ❑ Setup and assemble the printer near to the chosen place of use, as moving the printer may result in damage.
- ❑ Allow floor space of 4 × 4 m approx., and height of at least two times that of the larger box containing the printer unit.

---

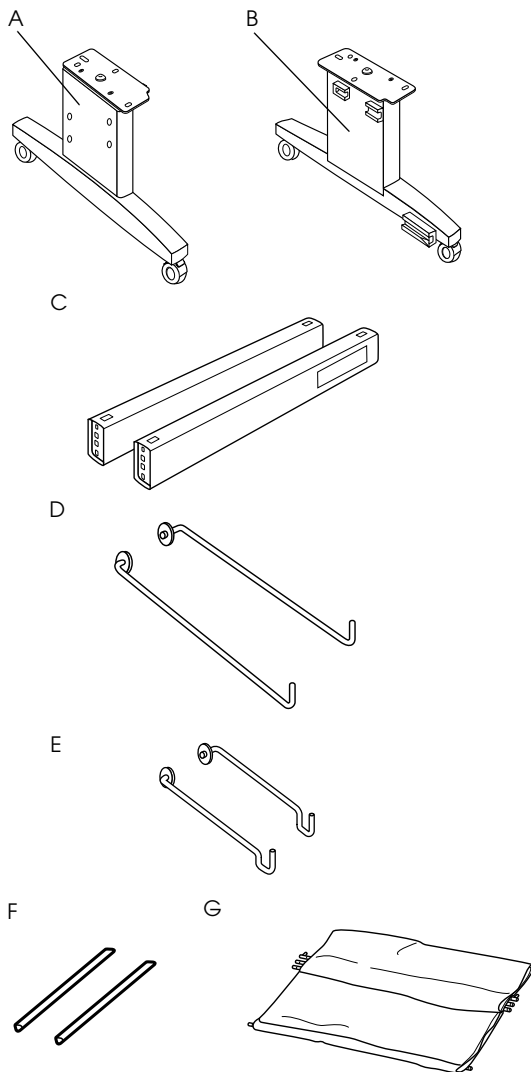
### Unpacking and Assembling the Base Unit

---

#### Unpacking the base unit

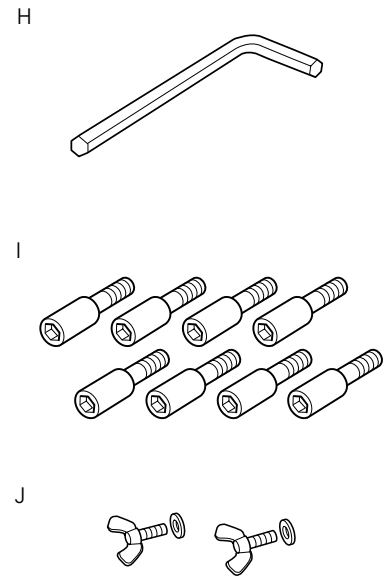
Open and check the contents of the smaller box containing the base unit.

## Parts:



- A: Base upright, left
- B: Base upright, right
- C: Horizontal struts (2)
- D: Basket hooks, long (2)
- E: Basket hooks, short (2)
- F: Stanchion pins (2)
- G: Paper basket

## Tools:



- H: Hex wrench
- I: Hex socket head bolt, M6 x 30 (8)
- J: Wing nuts (2)

J is for connecting the printer unit to the base unit.

## Assembling the base unit



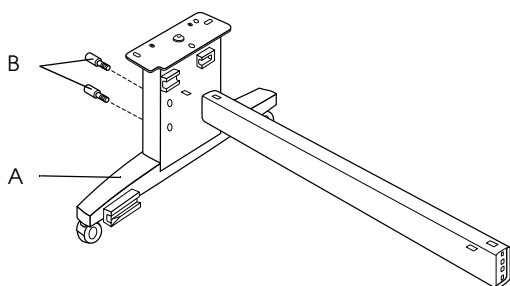
### Caution:

Have two people working on either side to assemble the base unit (26 kg).

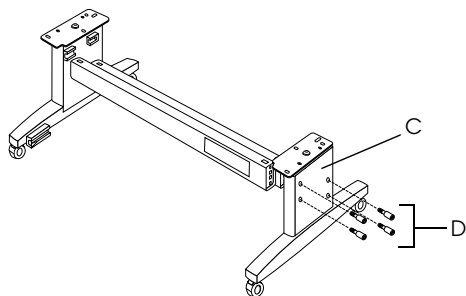
1. Hold base upright left (A) and a horizontal strut as shown. Then fix the strut to the base using the two M6 × 30 hex socket head bolts (B) with the hex wrench.

### Note:

- An instruction sticker about the setting paper basket is attached to the side of a horizontal strut. Attach the strut front so that you can read the instructions.
- Do not fasten the screws too tight. Leave a room to adjust the position when you fasten the screw on the other base upright.



2. Referring the Step 1, fix the other strut to the base.
3. Hold the base upright left (C) as shown below, fix the two struts to the base using the four M6 × 30 hex socket head bolts (D) with the hex wrench.



4. Fasten eight screws on the both sides of the base upright securely.

This completes assembly of the base unit. Before attaching the paper basket, mount the printer on the base unit.

## Assembling the Printer

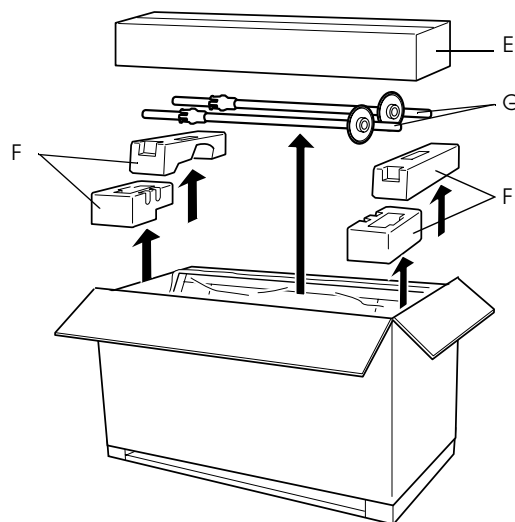
### Unpacking the printer unit



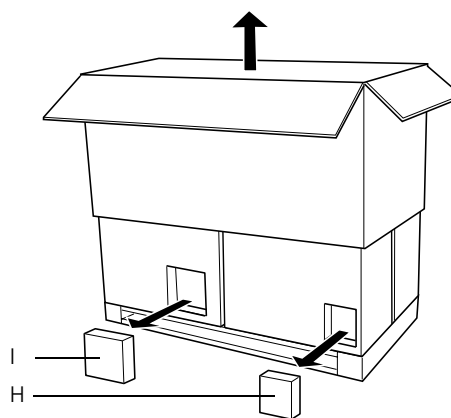
### Caution:

The printer unit is heavy and unwieldy. Have two people unpack the printer unit, and four people place the printer unit on top of the base unit.

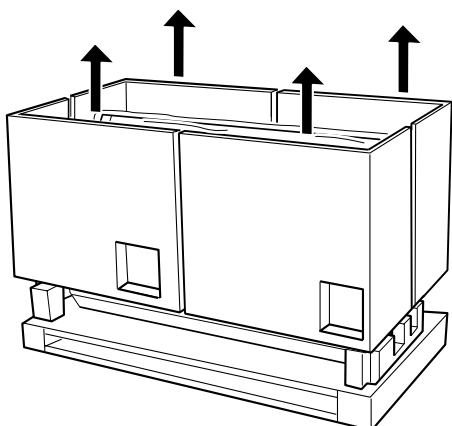
1. Open the box containing the printer unit and remove the accessory box (E), the polystyrene foam (F), and roll paper spindles (G).



2. Lift the box up and away from the printer unit, then fold it and set aside. Also remove the document box (H) and ink accessory kit (I).



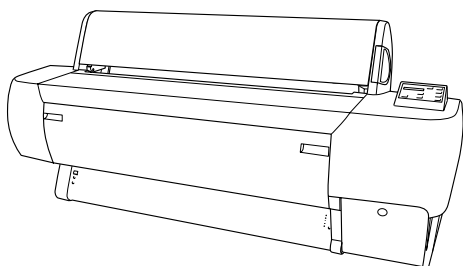
- Take out the cardboard panels from around the printer.



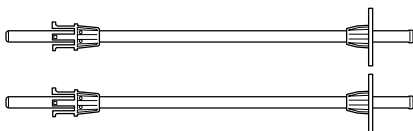
### Checking the printer unit box contents

Make sure that all of the items shown below are included, and are not damaged.

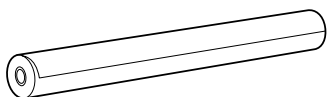
J:



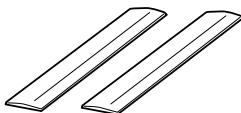
K:



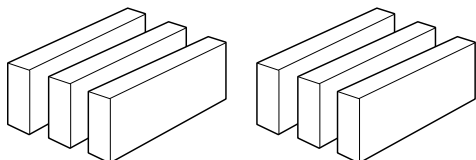
L:



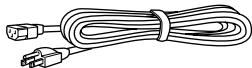
M:



N:



O:



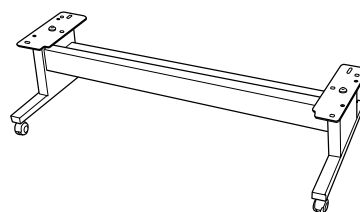
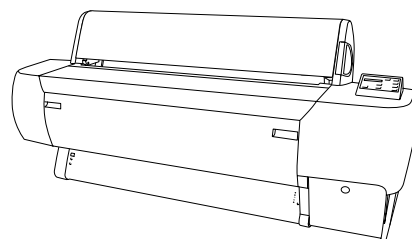
- J: Printer unit
- K: Roll paper spindles
- L: Roll paper (EPSON Semigloss Photo Paper; 5 m)
- M: Roll paper belts (for keeping roll paper wound up)
- N: Ink cartridges (Yellow, Cyan, Magenta, Light Cyan, Light Magenta, Black)
- O: Power cord (In the document box)

#### Note:

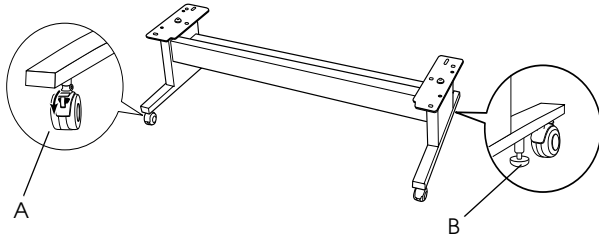
- ❑ The shape of the AC plug varies by country; be sure the plug included is the right shape for your location.
- ❑ The power cord location varies from country to country. If you can not find the power cord in the document box, see the polystyrene foam (F) mentioned in "Unpacking the printer unit" on page 3.

### Mounting the printer unit on the base unit

- Position the base unit in front of the printer unit as shown.



- Lock the two casters (A) and extend the two stabilizer knobs (B) underneath the base unit.



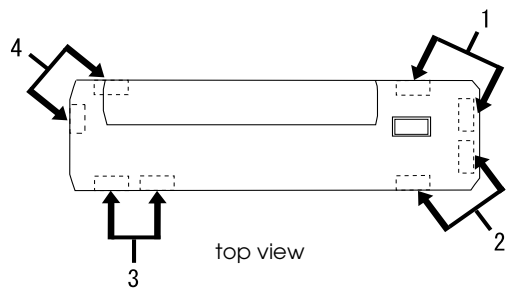
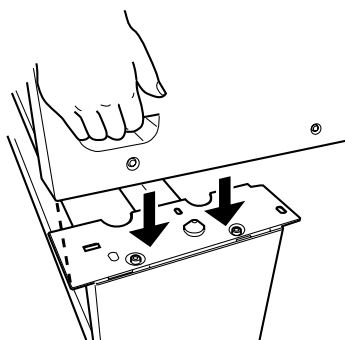
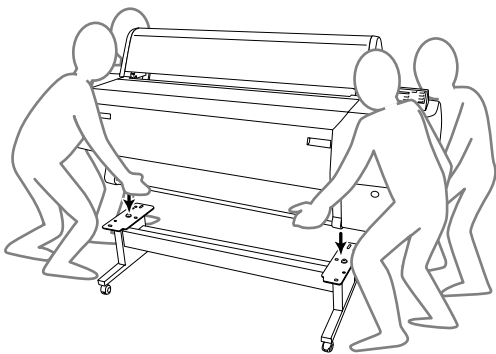
- Lift the printer unit by the eight hand grips shown below. Then insert the printer unit into the guide pins on the base unit.



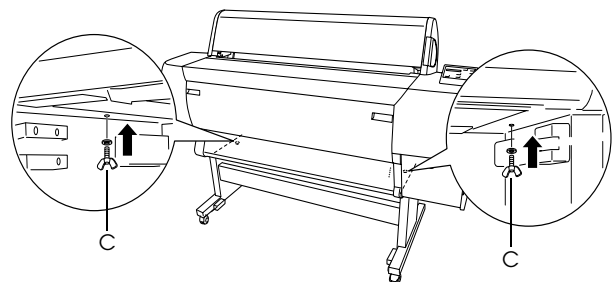
**Caution:**  
Do not attempt to lift the printer unit with fewer than four people.

**Note:**

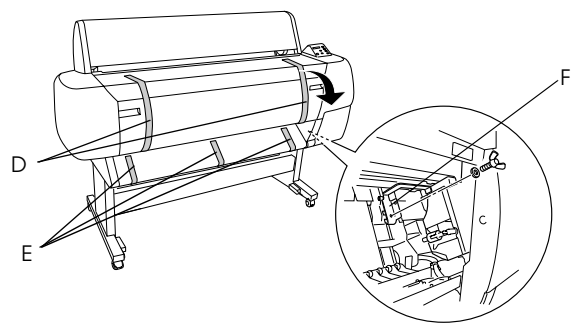
When you place the printer on the base unit, match the right end square of the printer (shown as 4 in the illustration below) to the square of the same part of the base unit.



- Screw the two wing nuts (C) into the left and right joint holes at the side-inner of the base unit, and tighten them.



- Release the front casters and the stabilizer knobs and move the printer to the place of use (a short distance away). Lock the casters and extend the stabilizer knobs after moving.
- Remove the protective materials:



- D: from the lower cover (tapes).
- E: from the platen (tapes).
- F: from the side of the print head compartment (fixing metal plate inside the lower cover).

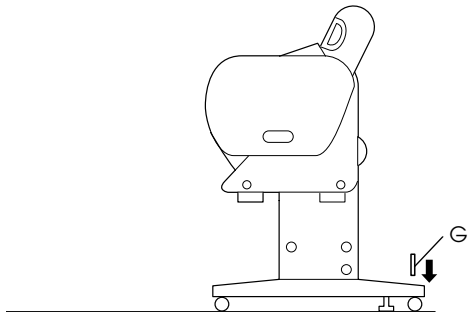
- Close the lower cover.



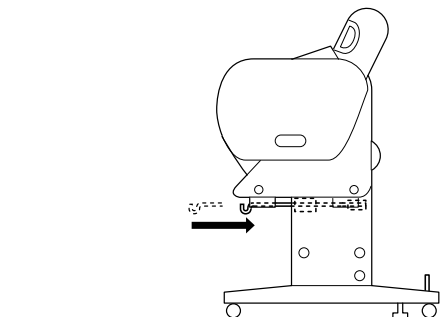
**Caution:**  
Watch your fingers when opening and closing the lower cover.

## Attaching the paper basket

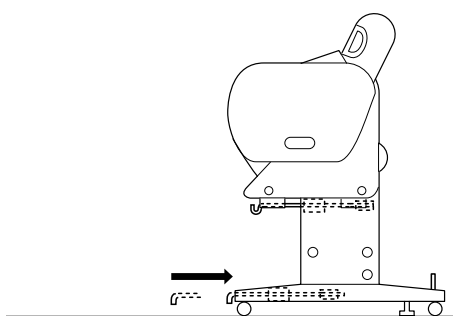
1. Insert the stanchion pins (G) to the hole on the the base uprights backward.



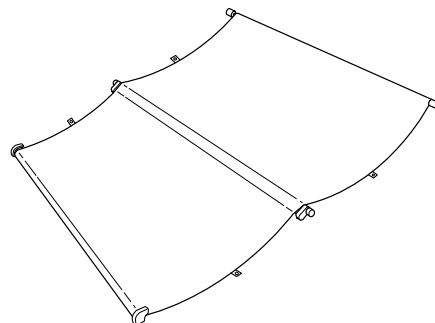
2. Fully insert and attach the short basket hooks to the upper guides of base upright left and right.



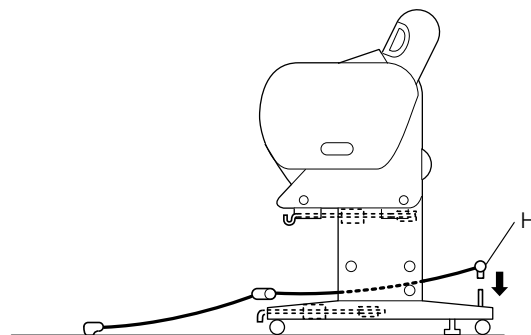
3. Likewise, fully insert and attach the long basket hooks to the lower guides.



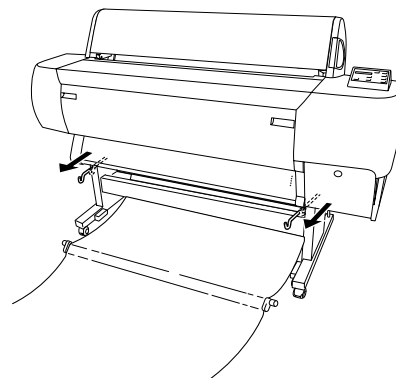
4. Turning the stitch side downward, spread the paper basket on the floor.



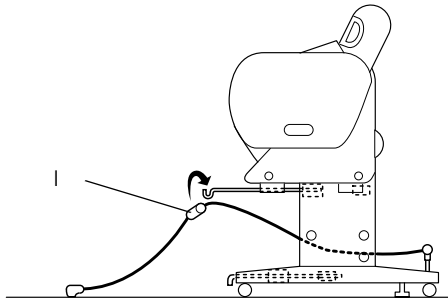
5. Holding the rear side shaft, pass it under the horizontal struts and insert the both joint sockets (H) on the stanchion pins.



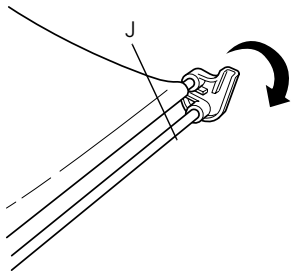
6. Slide out the upper basket hooks to their full length.



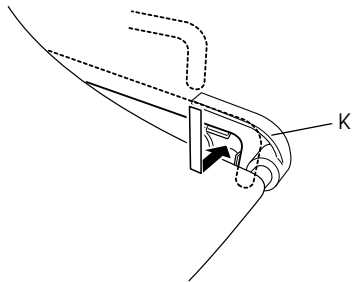
- Hook the both ends of the center shafts (I) on the upper basket hooks.



- Hold the front side shafts (J) and turn it one revolution as shown below.

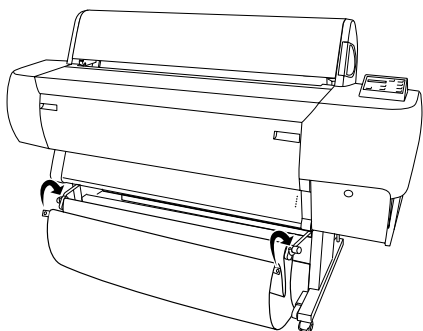


- Slide out the lower basket hooks to their full length, then attach the L shape ends to the joint sockets (K) on the front side.



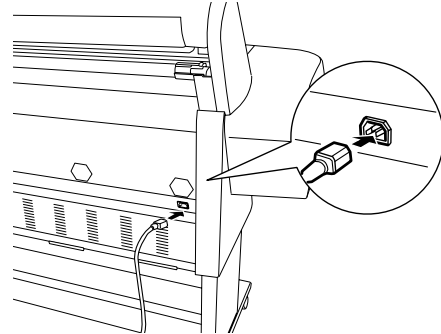
- Slide the upper and lower basket hooks back.

- Hook the basket rings in the direction shown below to take up the slack.

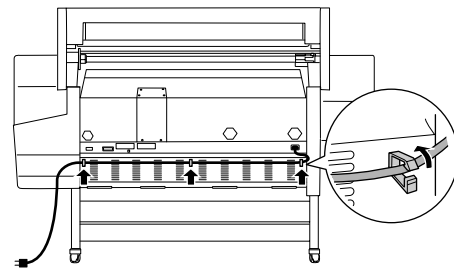


## Connecting the power cord

- Connect the power cord to the AC inlet on the back of the printer.



- Attach the three clamps packed with your printer, then route the power cord through the clamps at the rear of the printer.



- Check the label on the back of the printer to make sure the voltage required by the printer matches that of the electrical outlet you are using.
- Plug the power cord into a properly grounded electrical outlet.



### **Caution:**

*Do not use an outlet that is controlled by an automatic timer or wall switch. Otherwise, accidental shut down or damage to your printer may occur.*

## Reusing the Packaging

If you need to transport your printer a long distance, the printer should be repacked using the original boxes and packing materials. Contact your dealer for assistance.



**EPSON**