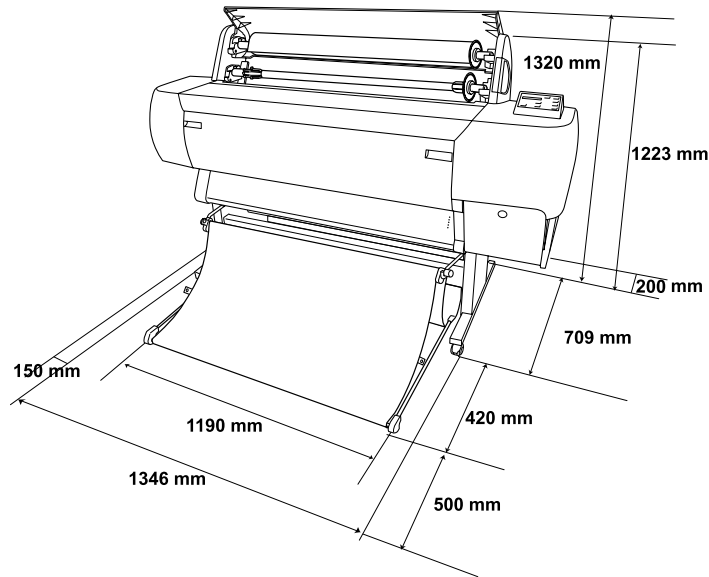


# Unpacking Guide

## Choosing a Place for the Printer

- ❑ Leave adequate room for easy operation, maintenance and ventilation.



- ❑ Leave at least 20cm between the back of the printer and the wall.
- ❑ Choose a location that can hold the printer weight (about 129kg with stand).
- ❑ Make sure the surface is flat and stable.
- ❑ Use a grounded power outlet; do not use a damaged or frayed power cord. Avoid using an outlet that is shared with other appliances.
- ❑ Use only an outlet that meets the power requirements of this printer.

- ❑ Operate the printer under the following conditions:  
Temperature: 10 to 40°C  
Humidity: 5 to 85% without condensation
- ❑ Avoid locations that are subject to direct sunlight, excessive heat, moisture, or dust.
- ❑ Do not block the ventilation openings.
- ❑ Avoid locations near potential sources of interferences such as loud speakers or cordless phones.
- ❑ Avoid locations near TVs, radios, air conditioners, or humidifiers.
- ❑ Keep the printer away from combustible substances.

## Deciding Where to Unpack the Printer

- ❑ Setup and assemble the printer near to the chosen place of use, as moving the printer may result in damage.
- ❑ Allow floor space of 4 × 4m approx., and height of at least two times that of the larger box containing the printer unit.

## Unpacking the Stand

Open the box containing the stand, and make sure that all of the items shown on the attached sheet are included, and are not damaged.

Turn Over

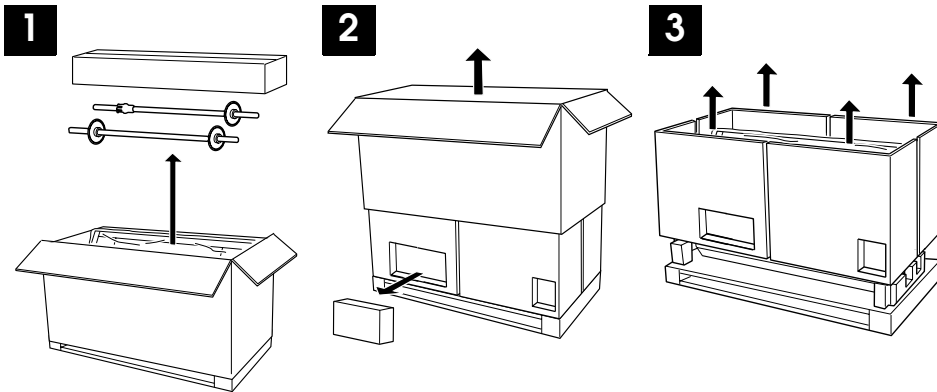
## Unpacking the Printer

Follow the instructions to unpack the printer.



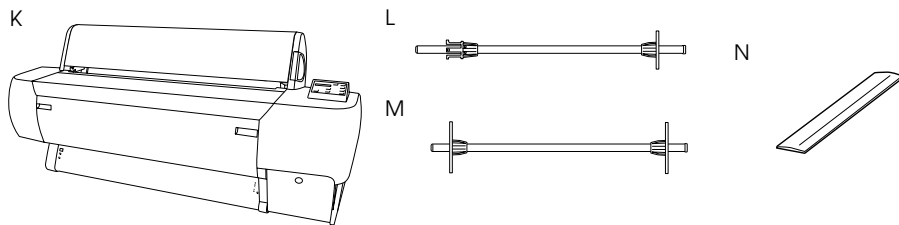
### Caution:

The printer unit is heavy and unwieldy. Have two people unpack the printer, and four people place the printer on top of the stand.



## Checking the Contents

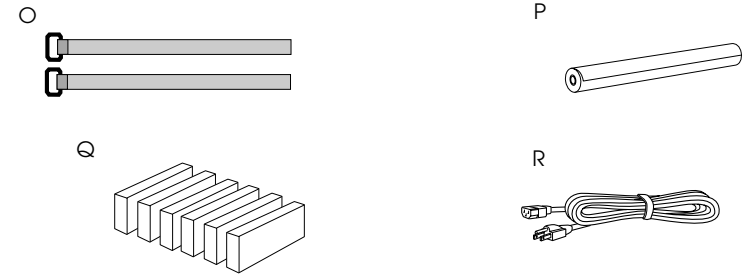
Make sure that all of the items shown below are included, and are not damaged.



- K: Printer
- L: 2-inch roll paper spindle
- M: 3-inch roll paper spindle
- N: Roll paper belt for 2-inch roll paper spindle

Note:

Roll paper belt is attached to the roll paper spindle.



- O: Roll paper belts for 3-inch roll paper spindle (2)

Note:

Roll paper belts are attached to the roll paper spindle.

- P: Roll paper (EPSON Semigloss Photo Paper; 5m)

- Q: Ink cartridges

Note:

For UltraChrome ink users, seven ink cartridges and one draining cartridge are included. For ColorFast or Dye ink users, six ink cartridges are included.

- R: Power cord

To assemble the printer and stand, see the *Assembly and Setup Guide*.

## Reusing the Packaging

If you need to transport your printer a long distance, the printer should be repacked using the original boxes and packing materials. Contact your dealer for assistance.

## Using the Assembly and Setup Guide

### What to do next

After unpacking and checking the contents of the printer and the optional stand, see the *Assembly and Setup Guide* to assemble the printer and the optional stand.