

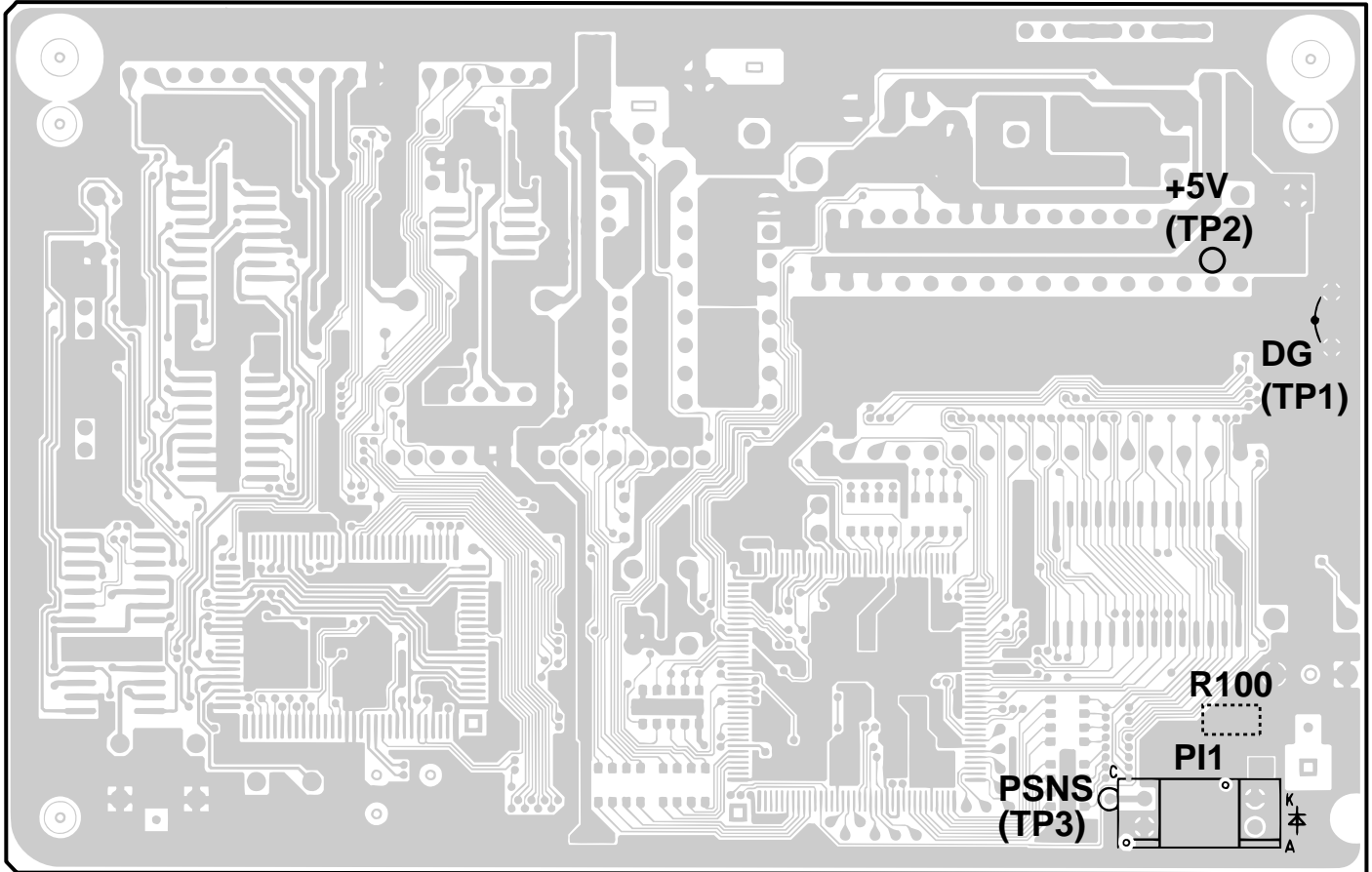
## CHAPTER 8. OTHERS

### [1] Service tools

#### 1. List

NO.	PARTS CODE	DESCRIPTION	Q'TY	PRICE RANK
1	C P W B S 2 9 1 5 S C S 1	Relay board unit	1	BN
2	P S H E Z 3 3 5 4 S C Z Z	Shading wave memory standard paper	1	AD

#### Relay board unit



NO.	PARTS CODE	DESCRIPTION	Q'TY	PRICE RANK
1	C C N W - 4 7 5 6 S C 0 1	SPEAKER RELAY CABLE	1	AK
2	C C N W - 4 7 5 7 S C 0 1	PANEL RELAY CABLE	1	AW
3	C C N W - 4 7 5 8 S C 0 1	CIS RELAY CABLE	1	AQ
4	C C N W - 4 7 5 9 S C 0 1	HEAD RELAY CABLE	1	AX
5	C C N W - 4 7 6 0 S C 0 1	CAM SWITCH RELAY CABLE	1	AK
6	C C N W - 4 7 6 1 S C 0 1	CUTTER SWITCH RELAY CABLE	1	AK
7	C C N W - 4 7 6 3 S C 0 1	MOTOR RELAY CABLE	1	AP
8	Q C N W - 4 7 6 4 S C Z Z	PAPER SENSOR RELAY CABLE	1	BB
9	V H P R P i - 5 7 4 / / /	PHOTO TRANSISTOR [PSNS]	1	AF
10	V R S - T S 2 A D 2 2 1 J	RESISTOR (1/10W 220Ω ±5%)[R100]	1	AA
11	Q P W B S 2 9 1 5 S C Z 4	EXTENSION PWB	1	AR

## 2. Description

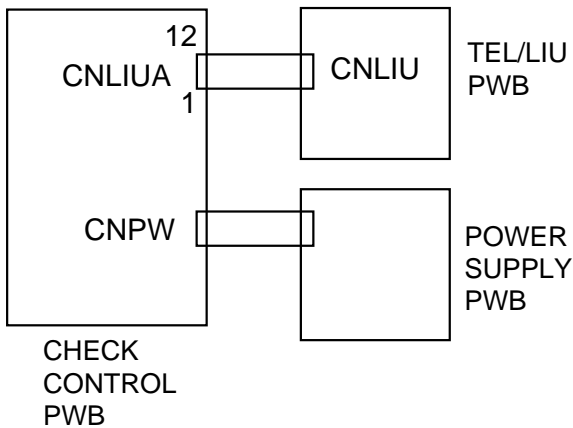
### 2-1. Relay board unit

1. Remove the TEL/LIU PWB, control PWB and Power Supply PWB from this unit, and mount the relay board unit instead.
  - Before connecting the wiring to the relay board unit, set the test PWB switches to the fixed position.
2. The setting is as follows.



Relay cable

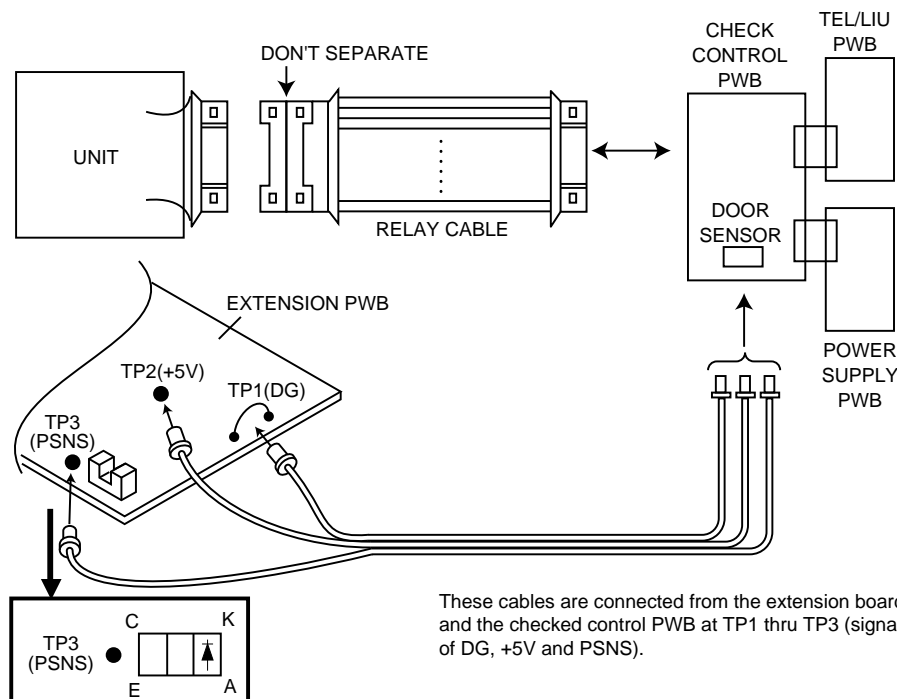
- The relay cables are used as one pair.
- The sensor is wired as shown in the following figure.
- The door switch and hook switch are manually operated.



The recording paper sensor (PSNS) is operated by OR of the mechanical unit switch and the test PWB switch. When performing installation in the machine unit, set the test PWB switches to the fixed position.

	Mechanical unit	PWB to be tested
	Actual operation with mechanical unit	
Recording paper sensor	ON/OFF operation	OFF (Photo interrupter is interrupted.)
	PWB sensor check	
Recording paper sensor	OFF	ON/OFF operation

#### NOTE



### 3. Shading paper

The white and black basis is applied to remember the shading waveform. Be sure to perform this operation when replacing the battery or replacing the control PWB. Execute in the shading mode of DIAG mode.

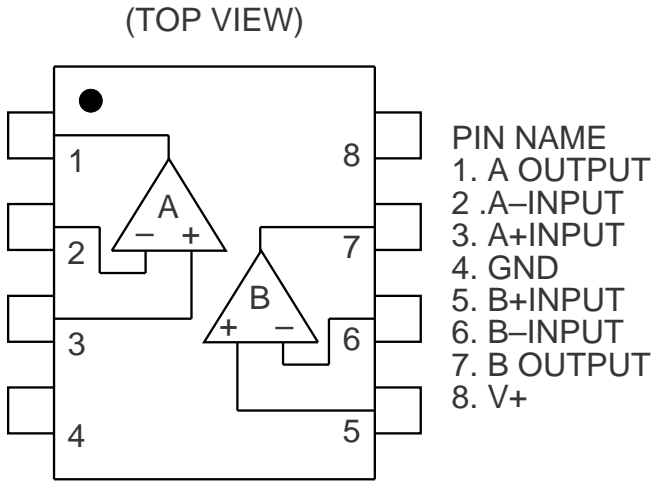
**UX-108/178 SERIES SHADING WAVE MEMORY STANDARD PAPER (PSHEZ3354SCZZ)**



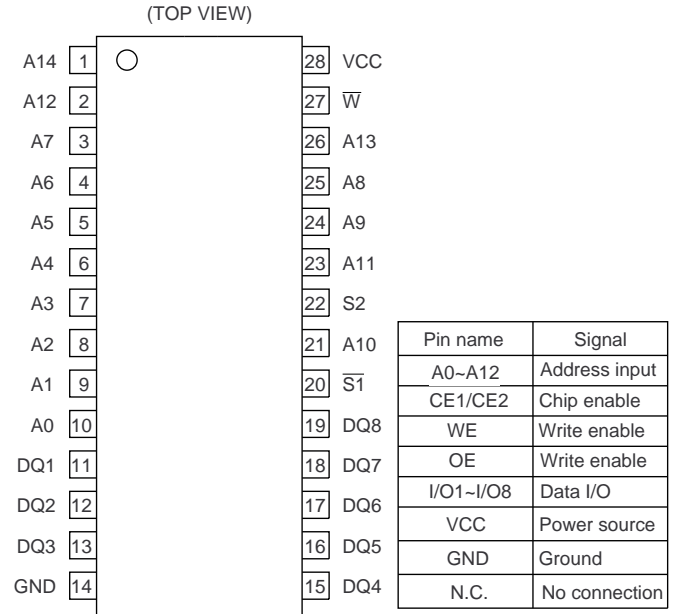
[2] IC signal name

CONTROL PWB UNIT

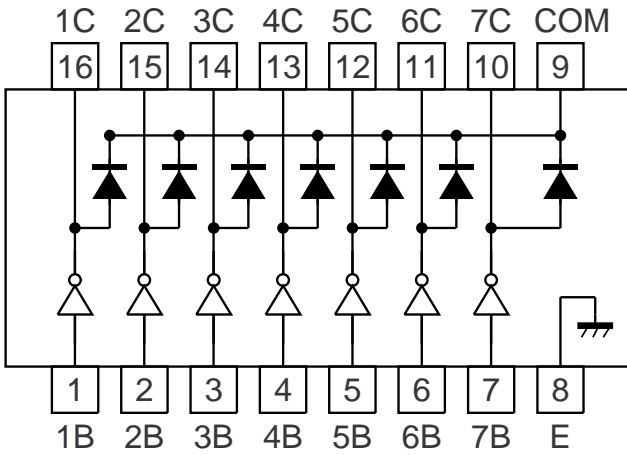
IC10: VHiNJM2904M-2 (NJM2904M)



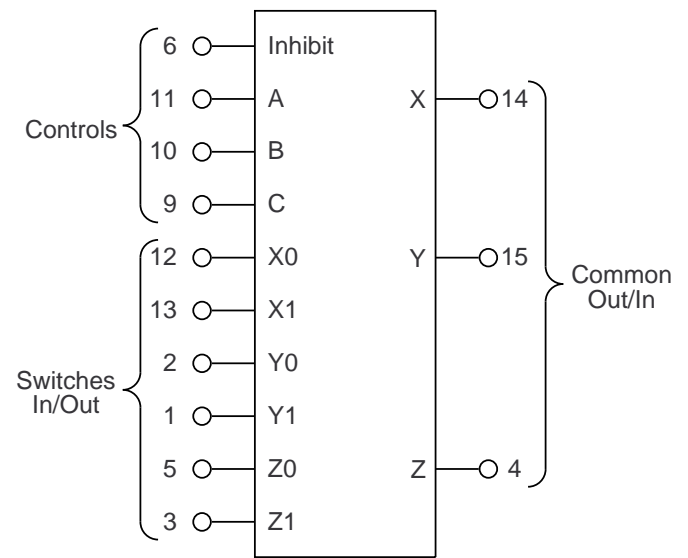
IC5: VHiW24257S7LL (W24257S-70LLT)



IC7: VHiULN2003AN/ (ULN2003A)

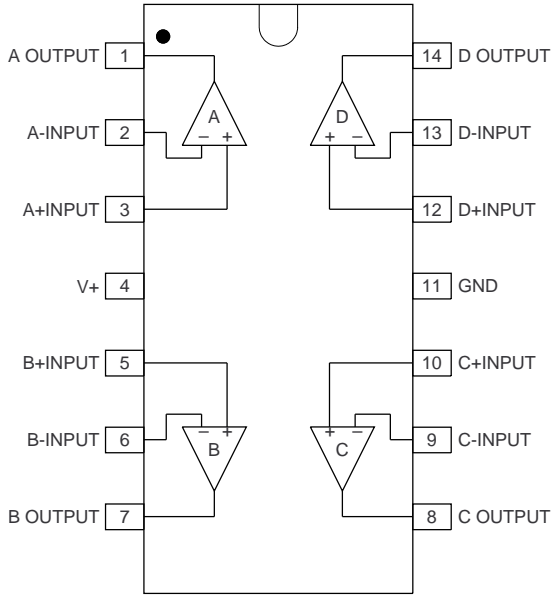


IC6: VHiHCF4053M1T (HCF4053B)

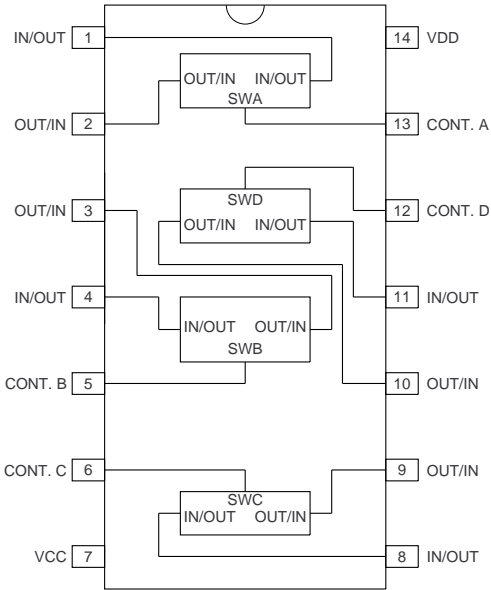


VDD: Pin 16  
 VSS: Pin 8  
 VEE: Pin7

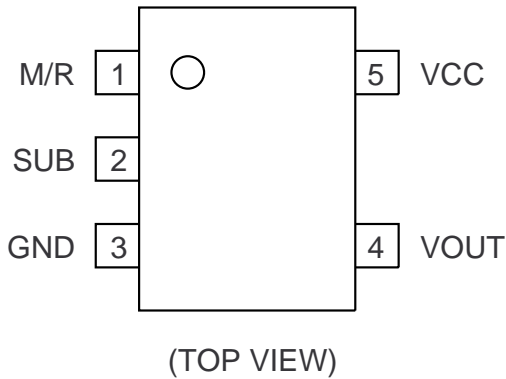
**IC9: VHiLM2902D/-1 (LM2902D)**



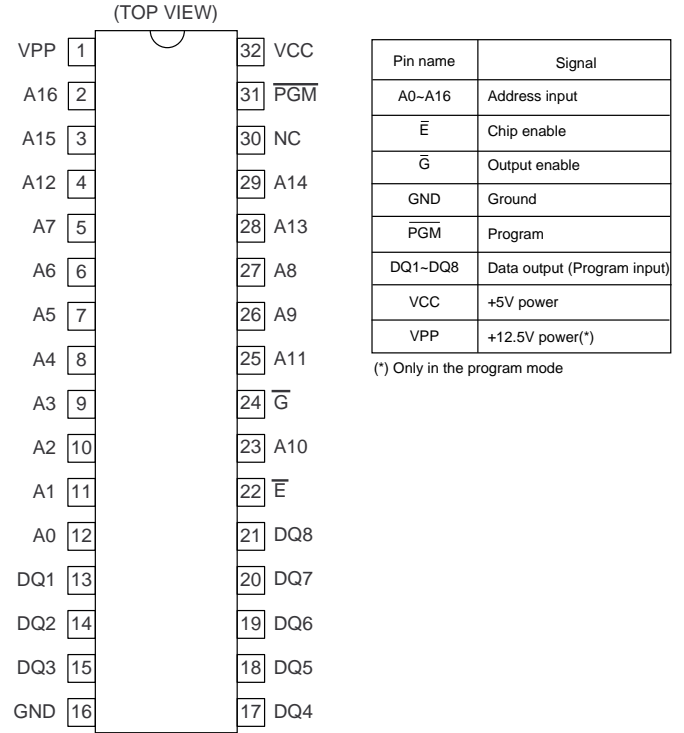
**IC4: VHiHCF4066M1T (HCF4066)**



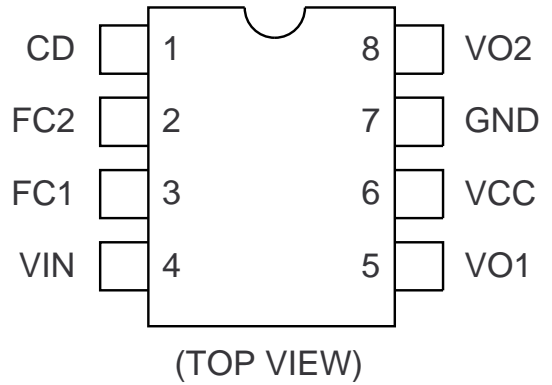
**IC100: VHiPST596CMT1 (PST596CNR)**



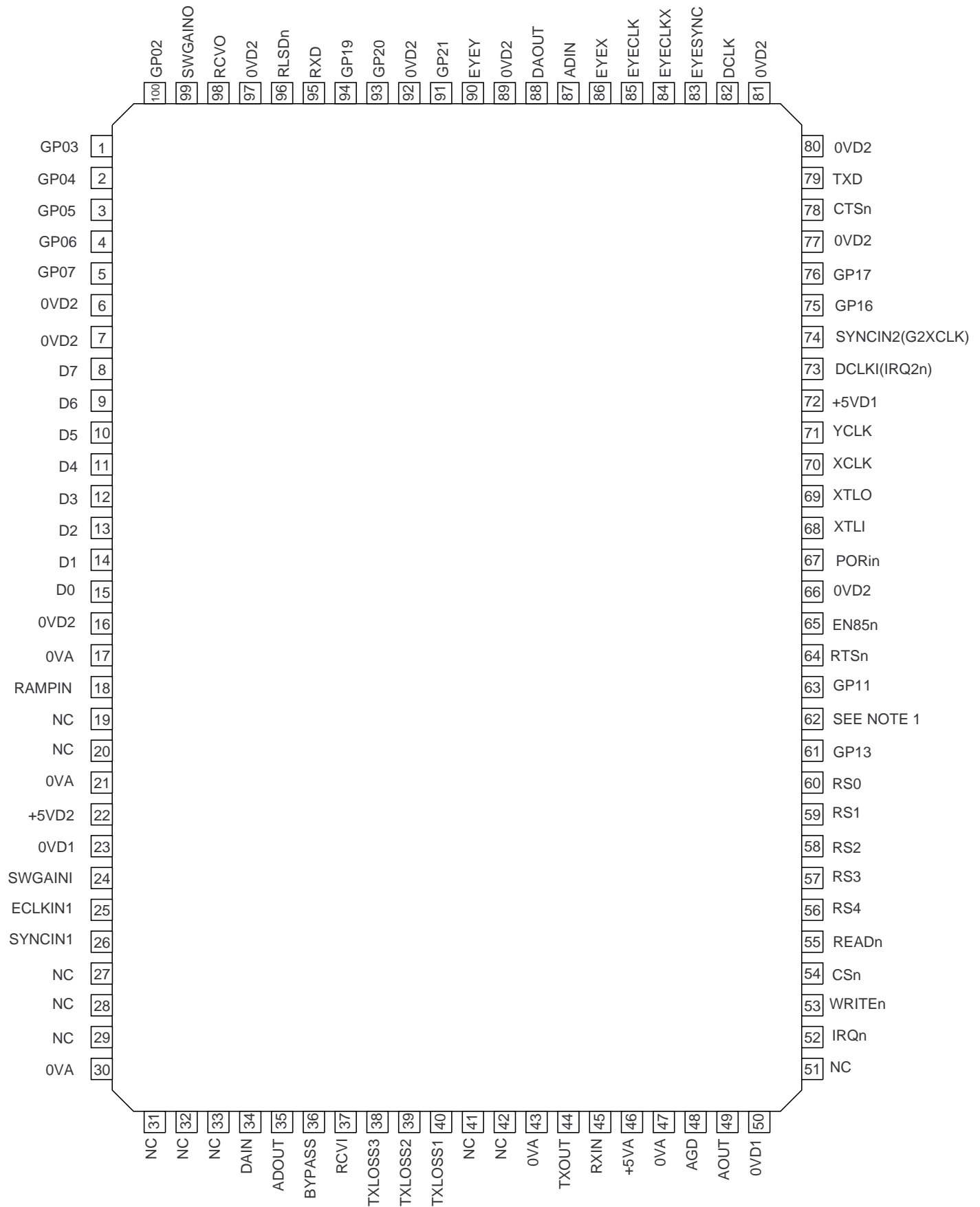
**IC8: VHi27C1000PC5 (27C010) EP-ROM**



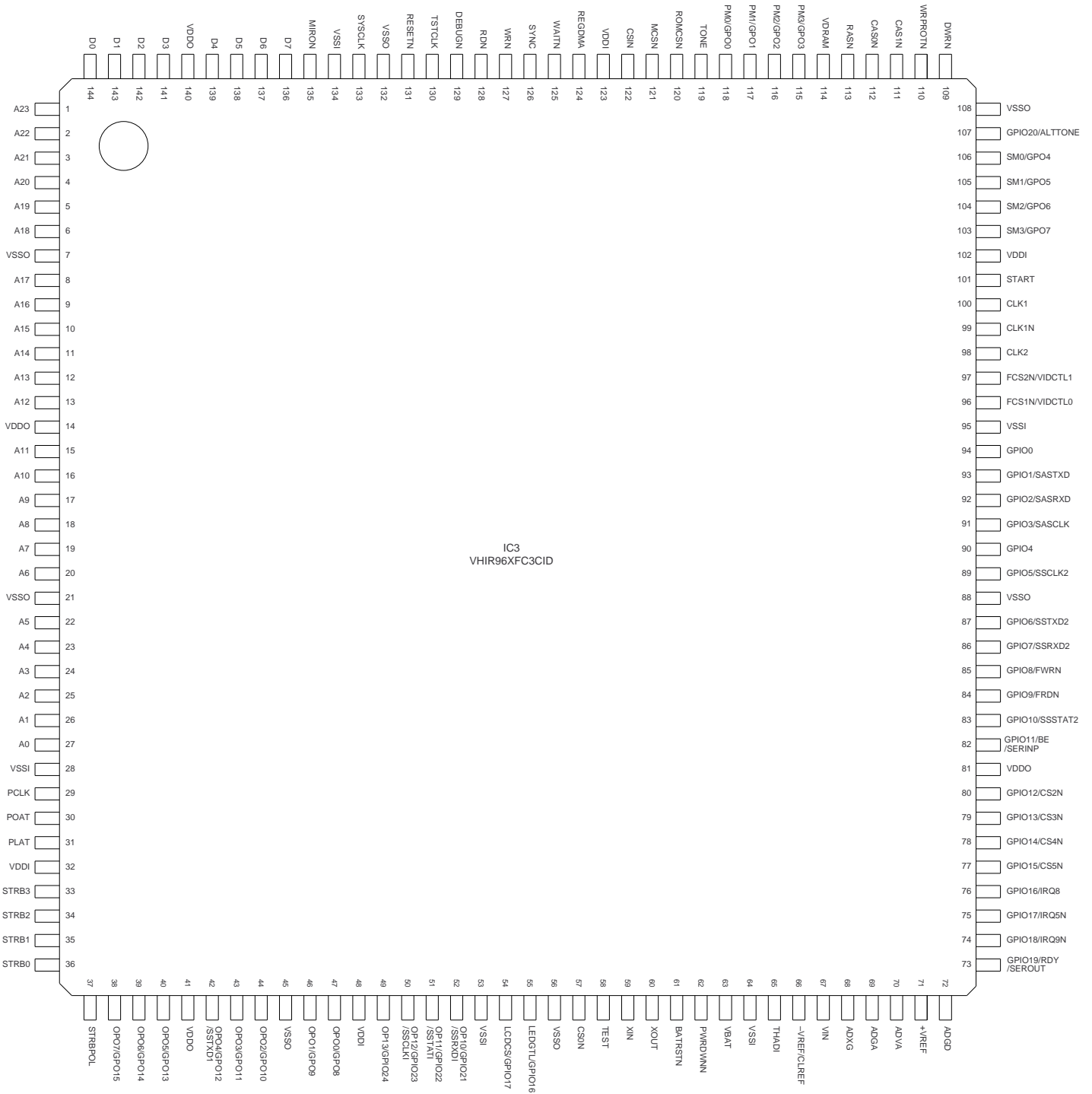
**IC1: VHiMC34119DR2 (MC34119DR2)**



IC2: VHiR96XFC3CID (96DFXL-CID)

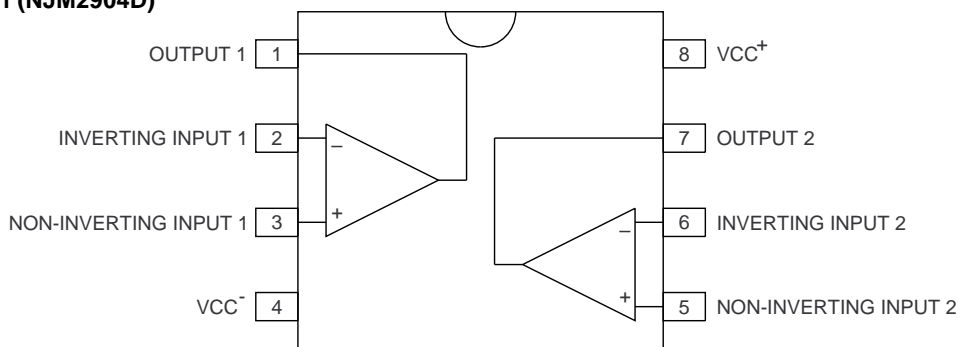


**IC3: VHiR96XFC3CID (XFC3)**



**TEL/LIU PWB UNIT**

**IC1: VHiNJM2904D-1 (NJM2904D)**



# SHARP PARTS GUIDE

**UX-178**  
**UX-188**  
**UX-108**  
**UX-118**  
**FO-175**  
**MODEL FO-375**

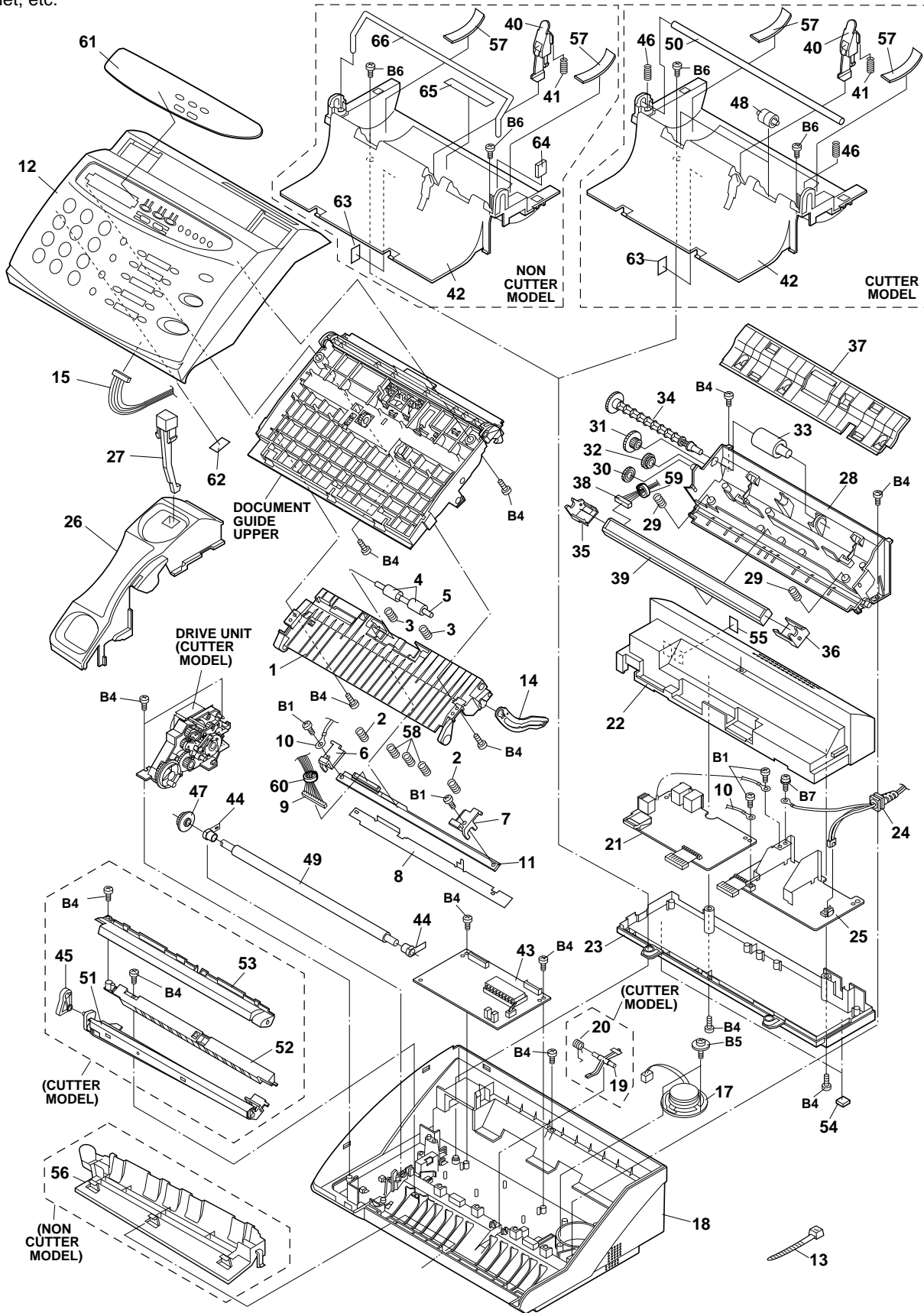
Non Cutter model	Cutter model
UX-108/118	UX-178/188
FO-175	FO-375

## CONTENTS

- |  |                                  |
|--|----------------------------------|
| 1 Cabinet, etc.  | 6 Packing material & Accessories |
| 2 Upper cabinet  | 7 Control PWB unit               |
| 3 Document guide upper                                 | 8 TEL-Liu PWB unit               |
| 4 Drive unit (Non cutter model)<br>(UX-108/118/FO-175) | 9 Power supply PWB unit          |
| 5 Drive unit (Cutter model)<br>(UX-178/188/FO-375)     | 50 Hardware parts                |
|  | ■ Index                          |

Because parts marked with "△" is indispensable for the machine safety maintenance and operation, it must be replaced with the parts specific to the product specification.

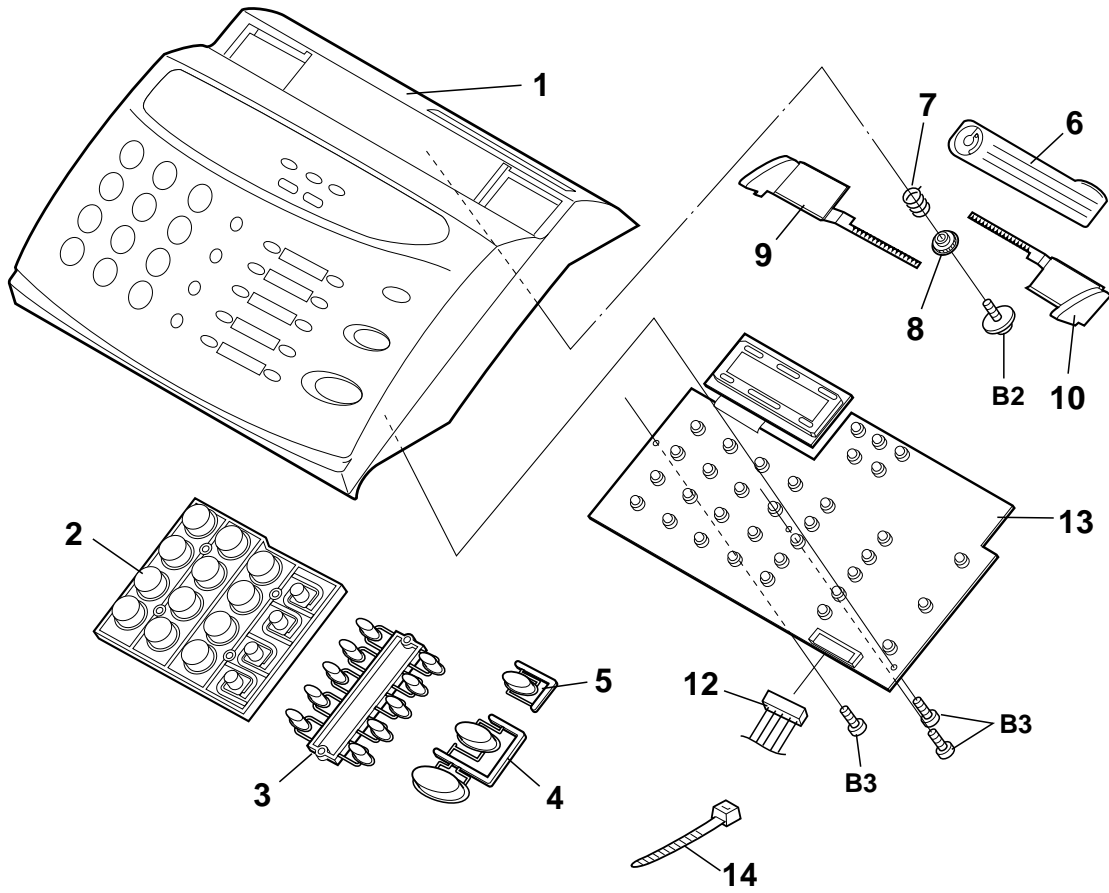
[1] Cabinet, etc.



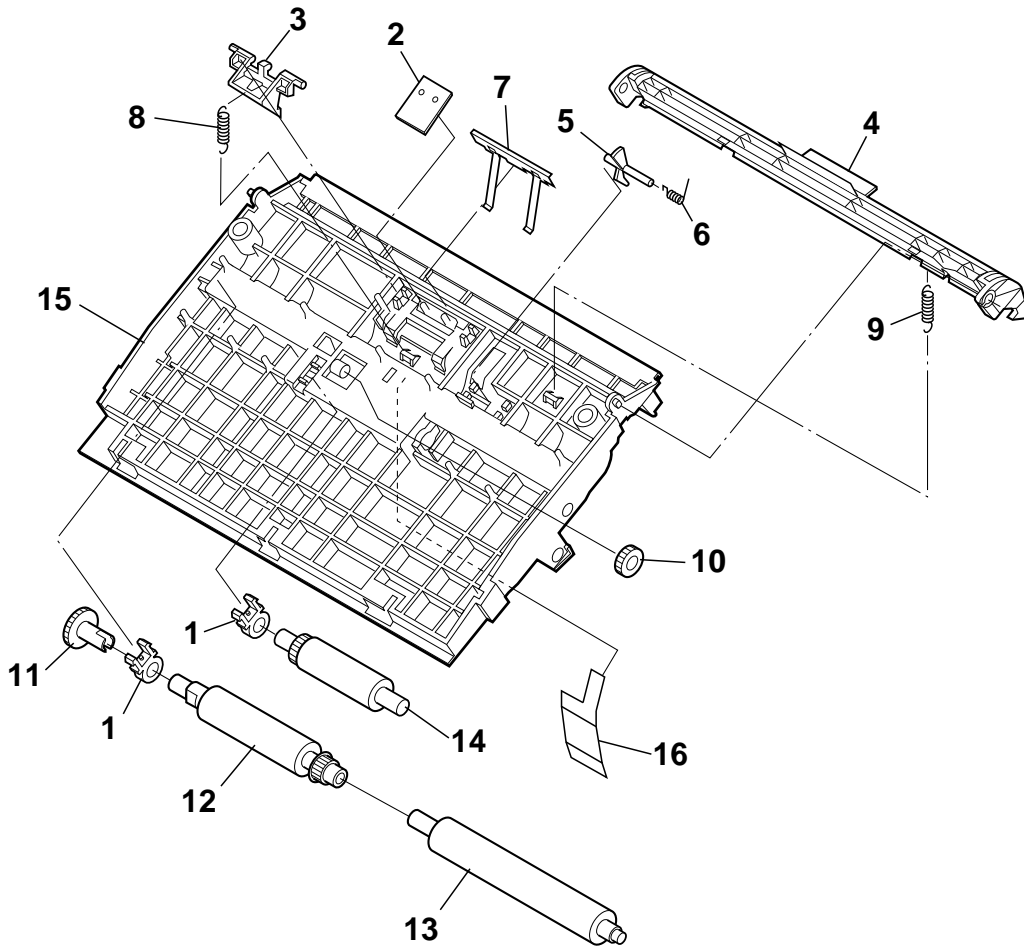
NO.	PARTS CODE	PRICE RANK	NEW MARK	PART RANK	DESCRIPTION
[1] Cabinet etc.					
1	LFRM-2184XHZZ	AP	N	C	Head frame
2	MSPRC2949XHZZ	AC	N	C	Head spring A
3	MSPRC2950XHZZ	AC	N	C	Pinch roller pressing spring

NO.	PARTS CODE	PRICE RANK	NEW MARK	PART RANK	DESCRIPTION
[1] Cabinet etc.					
4	NROLP2334XHZA	AC	N	C	Pinch roller
5	NSFTZ2281XHZZ	AD	N	C	Pinch roller shaft
6	PGIDP2497XHZZ	AC	N	C	Head support,left
7	PGIDP2498XHZZ	AC	N	C	Head support,right
8	PSHEZ3324XHZZ	AD	N	C	Head sheet
9	QCNW-4748XHZA	AP	N	C	Head cable
10	QCNW-4817XHZA	AE	N	C	Head earth cable
11	RHEDZ2054XHZZ	BP	N	B	Thermal head
12	DCEKP370BXH01	BL	N	E	Operation panel unit [178C/108C]
	DCEKP370BXH05	BF	N	E	Operation panel unit [188C/118C]
	DCEKP370BXH04	BF	N	E	Operation panel unit [175LU/375C]
13	LBNDJ2006XHZZ	AA		C	Band(GT-100M)
14	LSTPF2049XHZZ	AD	N	C	Stopper plate
15	QCNW-4816XHZA	AL	N	C	Panel cable
17	CCNW-4745XH01	AL	N	C	Speaker ass'y
18	GCABB2298XHZA	AT	N	D	Lower cabinet [178C/108C]
	GCABB2298XHZC	AT	N	D	Lower cabinet [188C/118C]
	GCABB2298XHZA	AT	N	D	Lower cabinet [175LU/375C]
19	MLEVP2263XHZZ	AC	N	C	Paper sensor lever [178C/188C/375C]
20	MSPRD2947XHZZ	AC	N	C	Paper sensor lever spring [178C/188C/375C]
21	DCEKL366BXH01	BE	N	E	TEL/Liu PWB unit
22	GCASP2099XHZA	AN	N	C	PWB case,top
23	GCASP2100XHZZ	AN	N	C	PWB case,bottom
24	QACCZ2002XHZZ	AT		B	AC cord ass'y
25	RDENT2116XHZZ	BN	N	E	Power supply PWB unit
26	GDAI-2078XHZA	AH	N	C	Handset cover [178C/108C]
	GDAI-2078XHZC	AH	N	C	Handset cover [188C/118C]
	GDAI-2078XHZA	AH	N	C	Handset cover [175LU/375C]
27	MLEVP2261XHZZ	AD	N	C	Hook switch lever
28	LFM-2185XHZZ	AH	N	C	Scanner fram
29	MSPRC2948XHZZ	AC	N	C	CIS spring
30	NGERH2379XHZZ	AC	N	C	Idler gear,25Z
31	NGERH2380XHZZ	AC	N	C	Reduction gear,17/36Z
32	NGERH2392XHZZ	AC	N	C	Reduction gear,17/21Z
33	NROLR2375XHZZ	AL	N	C	Feed roller
34	NSFTZ2273XHZZ	AF	N	C	Feed roller shaft
35	PGIDP2499XHZZ	AD	N	C	CIS support,left [178C/188C/375C]
	PGIDP2513XHZZ	AH	N	C	CIS support,left [108C/118C/175LU]
36	PGIDP2500XHZZ	AD	N	C	CIS support,right [178C/188C/375C]
	PGIDP2514XHZZ	AH	N	C	CIS support,right [108C/118C/175LU]
37	PGIDP2505XHZZ	AF	N	C	Document guide lower
38	QCNW-4849XHZZ	AG	N	C	CIS cable [178C/188C/375C]
	QCNW-4850XHZZ	AG	N	C	CIS cable [108C/118C/175LU]
39	RUNTZ2020SCZZ	BF	N	B	CIS unit [178C/188C/375C]
	RUNTZ2021SCZZ	BF	N	B	CIS unit [108C/118C/175LU]
40	MLEVP2262XHZZ	AD	N	C	Paper sensor lever
41	MSPRC2989XHZZ	AC	N	C	Paper sensor lever spring
42	PGIDP2496XHZZ	AD	N	C	Paper support guide
43	DCEKC185KXHZZ	BZ	N	E	Control PWB unit(Within ROM) [178C/188C/375C]
	DCEKC187KXHZZ	BV	N	E	Control PWB unit(Within ROM) [108C/118C]
	DCEKC587JXHZZ	BV	N	E	Control PWB unit(Within ROM) [175LU]
44	LBSHP2092XHZZ	AC	N	C	Platen bearing
45	MARMP2019XHZZ	AC	N	C	Cutter arm [178C/188C/375C]
46	MSPRC2945XHZZ	AC	N	C	Anti curl spring [178C/188C/375C]
47	NGERH2382XHZZ	AC	N	C	Platen gear
48	NROLP2332XHZZ	AD		C	PO pinch roller [178C/188C/375C]
49	NROLR2376XHZZ	AX	N	C	Platen roller
50	NSFTZ2274XHZZ	AK	N	C	Anti curl shaft [178C/188C/375C]
51	PCUT-2037SCZZ	AT	N	C	Cutter [178C/188C/375C]
52	PGIDP2506XHZZ	AE	N	C	Cutter guide [178C/188C/375C]
53	PGIDP2507XHZZ	AF	N	C	Cutter cover [178C/188C/375C]
54	GLEGG2068XHZZ	AC	N	C	Rubber leg
55	PSHEZ3325XHZZ	AD	N	C	Jack sheet
56	PGIDP2503XHZZ	AH	N	C	Paper guide upper [108C/118C/175LU]
57	PSHEZ3362XHZA	AD	N	C	Guide sheet [178C/188C/375C]
	PSHEZ3374XHZZ	AD	N	C	Guide sheet(D) [108C/118C/175LU]
58	MSPRC3005XHZZ	AC	N	C	Head spring B
59	RCORF2103XHZZ	AF		B	Core
60	RCORF2064XHZZ	AF		B	Core
61	HPNLH2383XHZA	AK	N	D	Decoration panel [178C]
	HPNLH2383XHZZ	AK	N	D	Decoration panel [188C]
	HPNLH2383XHZA	AK	N	D	Decoration panel [108C]
	HPNLH2383XHZZ	AK	N	D	Decoration panel [118C]
	HPNLH2383XHZE	AK	N	D	Decoration panel [175LU]
	HPNLH2383XHZZ	AD	N	D	Decoration panel [375C]
62	PSHEZ3373XHZZ	AD	N	C	Document guide upper spacer
63	PSHEZ3364XHZZ	AD	N	C	Paper sensor sheet
64	PSHEZ3369XHZZ	AD	N	C	Guide wire sheet [108C/118C/175LU]
65	TLABH4624XHZZ	AC	N	D	Paper set label [108C/118C/175LU]
66	PWIR-2029XHZZ	AG	N	C	Guide wire [108C/118C/175LU]

[2] Upper cabinet

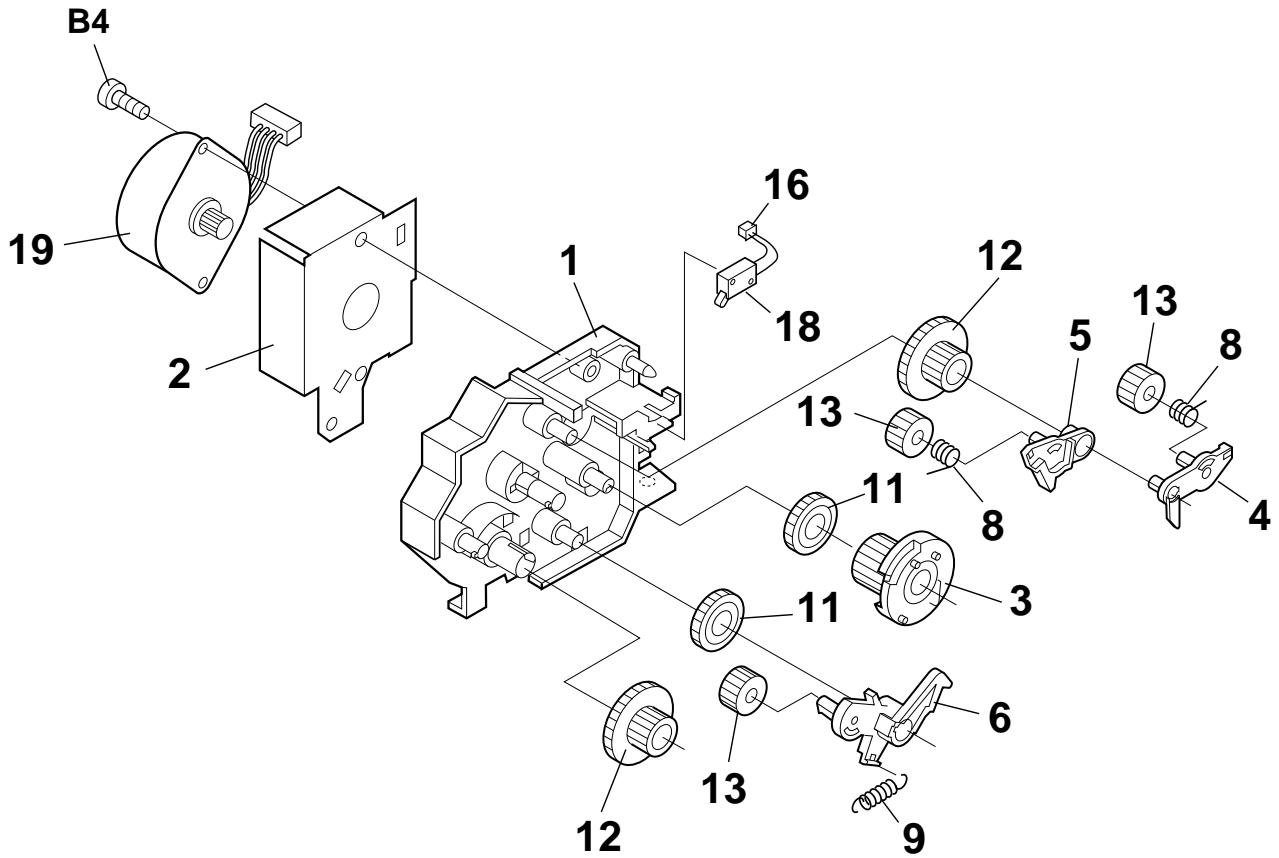


[3] Document guide upper

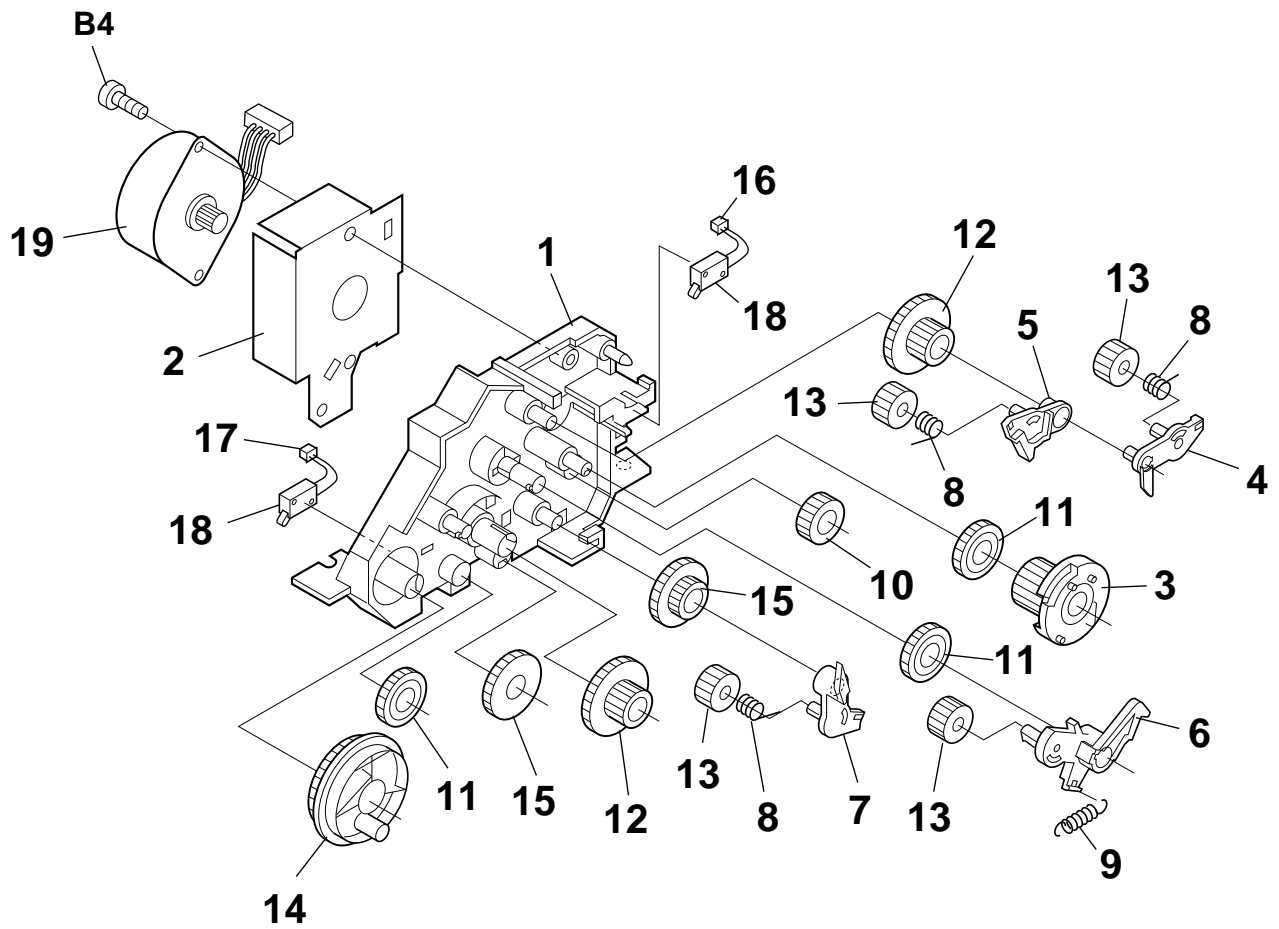


NO.	PARTS CODE	PRICE RANK	NEW MARK	PART RANK	DESCRIPTION
<b>[2] Upper cabinet</b>					
1	GCABA2297XHZA	AT	N	D	Upper cabinet [178C/108C]
	GCABA2297XHZC	AT	N	D	Upper cabinet [188C/118C]
	GCABA2297XHQB	AT	N	D	Upper cabinet [175LU/375C]
2	JBTN-2216XHZA	AF	N	C	12 key [178C/108C]
	JBTN-2216XHZC	AF	N	C	12 key [188C/118C]
	JBTN-2216XHQB	AF	N	C	12 key [175LU/375C]
3	JBTN-2217XHZA	AD	N	C	Direct key [178C/108C]
	JBTN-2217XHZC	AE	N	C	Direct key [188C/118C]
	JBTN-2217XHQB	AE	N	C	Direct key [175LU/375C]
4	JBTN-2218XHZZ	AE	N	C	Start key
5	JBTN-2219XHZZ	AD	N	C	Stop key
6	LPLTP2909XHZA	AE	N	C	Document tray [178C/108C]
	LPLTP2909XHZC	AE	N	C	Document tray [188C/118C]
	LPLTP2909XHQB	AE	N	C	Document tray [175LU/375C]
7	MSPRC2954XHZZ	AC	N	C	Hopper spring
8	NGERP2318XHZZ	AD		C	Pinion gear
9	PGIDP2501XHZA	AE	N	C	Hopper guide,left [178C/108C]
	PGIDP2501XHZC	AE	N	C	Hopper guide,left [188C/118C]
	PGIDP2501XHQB	AE	N	C	Hopper guide,left [175LU/375C]
10	PGIDP2502XHZA	AE	N	C	Hopper guide,right [178C/108C]
	PGIDP2502XHZC	AE	N	C	Hopper guide,right [188C/118C]
	PGIDP2502XHQB	AE	N	C	Hopper guide,right [175LU/375C]
12	QCNW-4816XHZA	AL	N	C	Panel cable
13	DCEKP367BXH01	BH	N	E	Operation panel PWB unit
14	LBNDJ2006XHZZ (Unit)	AA		C	Band
901	DCEKP370BXH01	BL	N	E	Operation panel unit [178C/108C]
	DCEKP370BXH05	BF	N	E	Operation panel unit [188C/118C]
	DCEKP370BXH04	BF	N	E	Operation panel unit [175LU/375C]
<b>[3] Document guide upper</b>					
1	LBSHP2093XHZZ	AC	N	C	Bearing
2	LPLTG2911XHZZ	AE	N	C	Separator rubber
3	LPLTP2908XHZZ	AE	N	C	Separator plate
4	MLEVP2264XHZZ	AD	N	C	Panel lock lever
5	MLEVP2265XHZZ	AD	N	C	Document sensor lever
6	MSPRD2953XHZZ	AC	N	C	Document sensor lever spring
7	MSPRP2944XHZZ	AC	N	C	Paper feed spring
8	MSPRT2951XHZZ	AC	N	C	Separate spring
9	MSPRT2951XHZZ	AC	N	C	Panel lock lever spring
10	NGERH2383XHZZ	AC	N	C	Idler gear,20
11	NGERH2402XHZZ	AC	N	C	CIS gear,29Z
12	NROLR2372XHZZ	AL	N	C	CIS roller A ass'y
13	NROLR2373XHZZ	AL	N	C	CIS roller B ass'y
14	NROLR2374XHZZ	AP	N	C	Transfer roller
15	PGIDP2504XHZZ	AF	N	C	Document guide upper
16	PSHEZ3365XHZZ	AD	N	C	Rear sheet

[4] Drive unit (Non cutter model) (UX-108/118/FO-175)

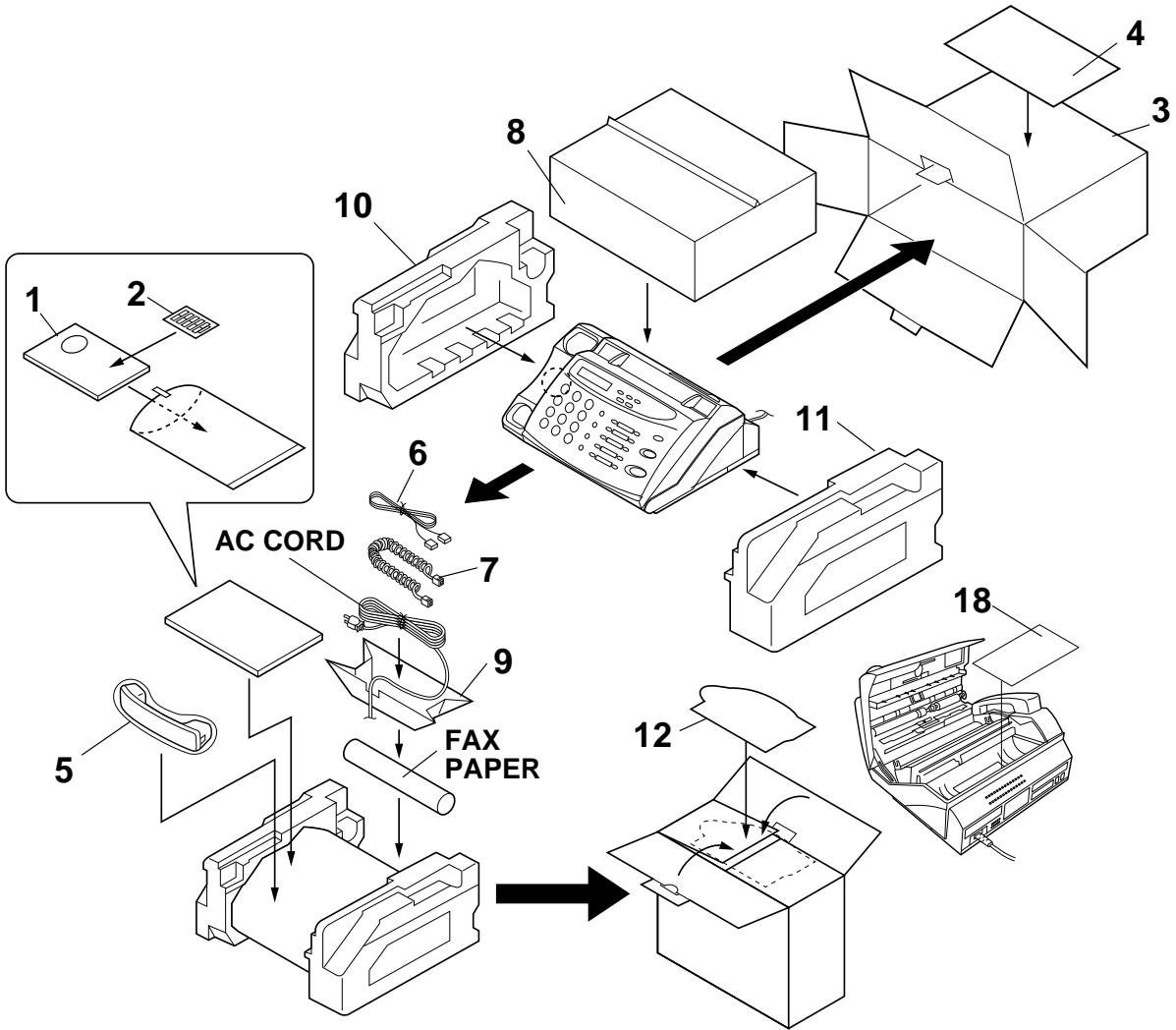


[5] Drive unit (Cutter model) (UX-178/188/FO-375)





[6] Packing material & Accessories



NO.	PARTS CODE	PRICE RANK	NEW MARK	PART RANK	DESCRIPTION
<b>[6] Packing material &amp; Accessories</b>					
1	TINSK3836XHZZ	AL	N	D	Operation manual [178C/188C/108C/118C/375C]
	TINSE3816XHZZ	AQ	N	D	Operation manual [175LU]
2	TLABH4237XHZZ	AC	N	D	Rapid key labels
3	SPAKC306AXHZZ	AQ	N	D	Packing case [178C]
	SPAKC309AXHZZ	AQ	N	D	Packing case [188C]
	SPAKC308AXHZZ	AQ	N	D	Packing case [108C]
	SPKAC384AXHZZ	AQ	N	D	Packing case [118C]
	SPAKC286AXHZZ	AQ	N	D	Packing case [175LU]
	SPAKC310AXHZZ	AQ	N	D	Packing case [375C]
4	TLABM4500XHZZ	AC	N	D	Box label [178C]
	TLABM4503XHZZ	AC	N	D	Box label [188C]
	TLABM4502XHZZ	AC	N	D	Box label [108C]
	TLABM4594XHZZ	AC	N	D	Box label [118C]
	TLABM4605XHZZ	AC	N	D	Box label [175LU]
5	DUNTK369BXHSG	AV	N	E	Handset [178C/108C]
	DUNTK369BXHBE	BE	N	E	Handset [188C/118C]
	DUNTK369BXHOG	AP	N	E	Handset [175LU/375C]
6	QCNW-3247SCZZ	AH		C	Telephone line cord [178C/188C/108C/118C/375C]
	QCNW-3975XHGY	AG		C	Telephone line cord [175LU]
7	QCNW-3976XHAG	AH		C	Handset cord [178C/108C]
	QCNW-3976XHBE	AT		C	Handset cord [188C/118C]
	QCNW-3976XHOG	AT		C	Handset cord [175LU/375C]
8	SPAKP3385SCZZ	AG		D	Vinyl cover
9	SPAKA160AXHZZ	AF	N	D	Pad
10	SPAKA161AXHZL	AF	N	D	Packing add.,left
11	SPAKA162AXHZR	AF	N	D	Packing add.,right
12	TCADZ2590XHZZ	AD	N	D	Pop card [178C/188C]
	TCADZ2592XHZZ	AD	N	D	Pop card [108C/118C]
18	TCADZ2622XHZZ		N	D	Errata sheet

NO.	PARTS CODE	PRICE RANK	NEW MARK	PART RANK	DESCRIPTION
[7] Control PWB unit					
1	UBATL2046SCZZ	AK	N	B	Battery(CR2032T34) [BAT1]
2	VCEAGA1EW476M	AA		C	Capacitor(25WV 47μF) [C1]
3	VCEAGA1HW105M	AB		C	Capacitor(50WV 1.0μF) [C2]
4	VCEAGA1EW476M	AA		C	Capacitor(25WV 47μF) [C3]
5	VCEAGA1HW475M	AA		C	Capacitor(50WV 4.7μF) [C4]
6	VCEAGA1HW106M	AA		C	Capacitor(50WV 10μF) [C5]
7	VCEAGA1HW106M	AA		C	Capacitor(50WV 10μF) [C6]
8	VCEAGA1HW107M	AA		C	Capacitor(50WV 100μF) [C7]
9	VCEAGA1HW106M	AA		C	Capacitor(50WV 10μF) [C8]
10	VCEAGA1EW476M	AA		C	Capacitor(25WV 47μF) [C9]
11	VCEAGA1HW226M	AB		C	Capacitor(50WV 22μF) [C10]
12	VCKYTV1CF105Z	AB		C	Capacitor(16WV 1.0μF) [C100]
13	VCKYTV1HB102K	AA		C	Capacitor(50WV 1000PF) [C101]
14	VCKYTV1CF105Z	AB		C	Capacitor(16WV 1.0μF) [C103]
15	VCKYTV1CF105Z	AB		C	Capacitor(16WV 1.0μF) [C104]
16	VCKYTV1CF105Z	AB		C	Capacitor(16WV 1.0μF) [C105]
17	VCCCTV1HH150J	AA		C	Capacitor(50WV 15PF) [C106]
18	VCCCTV1HH180J	AA		C	Capacitor(50WV 18PF) [C107]
19	VCKYTV1CF105Z	AB		C	Capacitor(16WV 1.0μF) [C108]
20	VCKYTV1EF104Z	AA		C	Capacitor(25WV 0.1μF) [C109]
21	VCKYTV1CF105Z	AB		C	Capacitor(16WV 1.0μF) [C110]
22	VCKYTV1HB222K	AA		C	Capacitor(50WV 2200PF) [C111]
23	VCKYTV1CF105Z	AB		C	Capacitor(16WV 1.0μF) [C112]
24	VCKYTV1CF105Z	AB		C	Capacitor(16WV 1.0μF) [C113]
25	VCKYTV1CF105Z	AB		C	Capacitor(16WV 1.0μF) [C114]
26	VCKYTV1CF105Z	AB		C	Capacitor(16WV 1.0μF) [C115]
27	VCKYTV1CF105Z	AB		C	Capacitor(16WV 1.0μF) [C116]
28	VCKYTV1HB103K	AB		C	Capacitor(50WV 0.01μF) [C117]
29	VCKYTV1CF105Z	AB		C	Capacitor(16WV 1.0μF) [C119]
30	VCCSTV1HL391J	AA		C	Capacitor(50WV 390PF) [C120]
31	VCKYTV1EB104K	AA		C	Capacitor(25WV 0.1μF) [C121]
32	VCKYTV1EF104Z	AA		C	Capacitor(25WV 0.1μF) [C122]
33	VCKYTV1HB221K	AA		C	Capacitor(50WV 220PF) [C123]
34	VCKYTV1EB104K	AA		C	Capacitor(25WV 0.1μF) [C124]
35	VCKYTV1EF104Z	AA		C	Capacitor(25WV 0.1μF) [C125]
36	VCKYTV1CF105Z	AB		C	Capacitor(16WV 1.0μF) [C126]
37	VCCCTV1HH220J	AA		C	Capacitor(50WV 22PF) [C127]
38	VCCCTV1HH220J	AA		C	Capacitor(50WV 22PF) [C128]
39	VCKYTV1CF105Z	AB		C	Capacitor(16WV 1.0μF) [C129]
40	VCKYTV1CF105Z	AB		C	Capacitor(16WV 1.0μF) [C131]
41	VCKYTV1CF105Z	AB		C	Capacitor(16WV 1.0μF) [C132]
42	VCKYTV1EB104K	AA		C	Capacitor(25WV 0.1μF) [C133]
43	VCKYTV1EF104Z	AA		C	Capacitor(25WV 0.1μF) [C134]
44	VCKYTV1HB103K	AB		C	Capacitor(50WV 0.01μF) [C135]
45	VCKYTV1EF104Z	AA		C	Capacitor(25WV 0.1μF) [C136]
46	VCKYTV1EB104K	AA		C	Capacitor(25WV 0.1μF) [C137]
47	VCKYTV1EB104K	AA		C	Capacitor(25WV 0.1μF) [C138]
48	VCKYTV1EB104K	AA		C	Capacitor(25WV 0.1μF) [C139][178C/188C/375C]
49	VCKYTV1EF104Z	AA		C	Capacitor(25WV 0.1μF) [C140]
50	VCKYTV1HB102K	AA		C	Capacitor(50WV 1000PF) [C141]
51	VCKYTV1CF105Z	AB		C	Capacitor(16WV 1.0μF) [C142]
52	VCKYTV1HB472K	AA		C	Capacitor(50WV 0.0047μF) [C143]
53	VCCSTV1HL102J	AA		C	Capacitor(50WV 1000PF) [C144]
54	VCKYTV1EB104K	AA		C	Capacitor(25WV 0.1μF) [C145]
55	VCKYTV1CF105Z	AB		C	Capacitor(16WV 1.0μF) [C146]
56	VCKYTV1HB681K	AA		C	Capacitor(50WV 680PF) [C147]
57	VCKYTV1EB104K	AA		C	Capacitor(25WV 0.1μF) [C148]
58	VCKYTV1HF104Z	AA		C	Capacitor(50WV 0.1μF) [C149]
59	VCKYTV1EF104Z	AA		C	Capacitor(25WV 0.1μF) [C150]
60	VCKYTV1EB104K	AA		C	Capacitor(25WV 0.1μF) [C151]
61	VCKYTV1EF104Z	AA		C	Capacitor(25WV 0.1μF) [C152]
62	VCKYTV1CF105Z	AB		C	Capacitor(16WV 1.0μF) [C153]
63	VCKYTV1EF104Z	AA		C	Capacitor(25WV 0.1μF) [C154]
64	VCKYTV1HB102K	AA		C	Capacitor(50WV 1000PF) [C155]
65	VCKYTV1HF104Z	AA		C	Capacitor(50WV 0.1μF) [C156]
66	VCKYTV1CF105Z	AB		C	Capacitor(16WV 1.0μF) [C157]
67	VCKYTV1EF104Z	AA		C	Capacitor(25WV 0.1μF) [C158]
68	VCKYTV1EF104Z	AA		C	Capacitor(25WV 0.1μF) [C159]
69	VCCCTV1HH220J	AA		C	Capacitor(50WV 22PF) [C160]
70	VCCCTV1HH220J	AA		C	Capacitor(50WV 22PF) [C161]
71	VCCCTV1HH220J	AA		C	Capacitor(50WV 22PF) [C162]
72	VCCCTV1HH220J	AA		C	Capacitor(50WV 22PF) [C163]
73	VCCCTV1HH220J	AA		C	Capacitor(50WV 22PF) [C164]
74	VCCCTV1HH220J	AA		C	Capacitor(50WV 22PF) [C165]
75	VCCCTV1HH220J	AA		C	Capacitor(50WV 22PF) [C166]
76	VCKYTV1HB102K	AA		C	Capacitor(50WV 1000PF) [C167]
77	VCKYTV1HB102K	AA		C	Capacitor(50WV 1000PF) [C168]
78	VCKYTV1HB102K	AA		C	Capacitor(50WV 1000PF) [C169]
79	VCKYTV1HB102K	AA		C	Capacitor(50WV 1000PF) [C170]
80	VCKYTV1HB102K	AA		C	Capacitor(50WV 1000PF) [C171]

NO.	PARTS CODE	PRICE RANK	NEW MARK	PART RANK	DESCRIPTION
[7] Control PWB unit					
81	QCNCM7014SC0G	AB		C	Connector(7pin) [CNCIS]
82	QCNCM2442SC0B	AB		C	Connector(2pin) [CNCISW]
83	QCNCM7014SC0B	AD		C	Connector(2pin) [CNCUT1][178C/188C/375C]
84	QCNCW2500SC1B	AF		C	Connector(12pin) [CNLIUA]
85	QCNCM7014SC0F	AB		C	Connector(6pin) [CNMT]
86	QCNCM7014SC1E	AC		C	Connector(15pin) [CNPNI]
87	QCNCW2500SC1J	AD	N	C	Connector(10pin) [CNPW]
88	QCNCM2401SC0B	AA		C	Connector(2pin) [CNPS]
89	QCNCM7014SC1F	AD		C	Connector(16pin) [CNTH]
90	VHERD22FB3/-1	AC		B	Zener diode(RD22FB3) [D1]
92	VHD1SS355//1	AB		B	Diode(1SS355) [D100]
93	VHDB705D//1	AD		B	Diode(RB705D) [D101]
94	VHVICPS07//1	AA		B	Varistor(ICP-S07) [FU100]
95	VHIMC34119DR2	AH	N	B	IC(MC34119DR2) [IC1]
96	VHIR96XFC3CID	BR	N	B	IC(R96DFXL-CID)[Within IC2 and IC3 pair] [IC2]
97	VHIR96XFC3CID	BR	N	B	IC(XFC3)[Within IC2 and IC3 pair] [IC3]
98	VHIHCF4066M1T	AF	N	B	IC(HCF4066) [IC4]
99	VHIW24257S7LL	AP		B	IC(W24257S-70LLT) [IC5]
100	VHIHCF4053M1T	AG	N	B	IC(HCF4053B) [IC6]
101	VHIULN2003AN/	AE		B	IC(ULN2003ANS) [IC7]
102	QSOCZ2051SC32	AC		C	IC socket(32pin) [IC8]
	VHI27010FWU0B	BA		B	IC,EPROM(1MB) [IC8][178C/188C/375C]
	VHI27010FWT0B	BA		B	IC,EPROM(1MB) [IC8][108C/118C]
	VHI27010FXZ0A	BA		B	IC,EPROM(1MB) [IC8][175LU]
105	VHILM2902D/-1	AH	N	B	IC(LM2902D) [IC9]
106	VHINJM2904M-2	AG	N	B	IC(NJM2904M) [IC10]
107	VHIPST596CMT1	AF		B	IC(PST596CNR) [IC100]
108	RCILZ2145XHZZ	AF	N	C	Coil(Z2145) [L102]
109	RCILZ2145XHZZ	AF	N	C	Coil(Z2145) [L103]
110	RCILZ2145XHZZ	AF	N	C	Coil(Z2145) [L104]
111	RCILZ2145XHZZ	AF	N	C	Coil(Z2145) [L105]
112	VHPITR9606/-1	AG	N	B	Photo transistor(ITR9606) [P11][178C/188C/375C]
113	VS2SD1858Q2-1	AE	N	B	Transistor(2SD1858) [Q1][178C/188C/375C]
114	VS2SC2412KS-1	AB		B	Transistor(2SC2412-K) [Q101]
115	VS2SA1037KS-1	AB		B	Transistor(2SA1037KS) [Q102]
116	VSRNC1402//1	AC		B	Transistor(RNC1402) [Q103][178C/188C/375C]
117	VRS-RE3AA270J	AC	N	C	Resistor(1W 27 $\Omega$ $\pm$ 5%) [R1][178C/188C/375C]
118	VRS-TS2AD221J	AA		C	Resistor(1/10W 220 $\Omega$ $\pm$ 5%) [R100][178C/188C/375C]
119	VRS-TS2AD102J	AA		C	Resistor(1/10W 1.0K $\Omega$ $\pm$ 5%) [R101]
120	VRS-TS2AD103J	AA		C	Resistor(1/10W 10K $\Omega$ $\pm$ 5%) [R102]
121	VRS-TS2AD103J	AA		C	Resistor(1/10W 10K $\Omega$ $\pm$ 5%) [R103]
122	VRS-TS2AD103J	AA		C	Resistor(1/10W 10K $\Omega$ $\pm$ 5%) [R104]
123	VRS-TS2AD471J	AA		C	Resistor(1/10W 470 $\Omega$ $\pm$ 5%) [R105][178C/188C/375C]
124	VRS-TS2AD303J	AA		C	Resistor(1/10W 30K $\Omega$ $\pm$ 5%) [R106][178C/188C/375C]
125	VRS-TS2AD471J	AA		C	Resistor(1/10W 470 $\Omega$ $\pm$ 5%) [R109]
126	VRS-TS2AD121J	AA		C	Resistor(1/10W 120 $\Omega$ $\pm$ 5%) [R110]
127	VRS-TS2AD201J	AG		C	Resistor(1/10W 200 $\Omega$ $\pm$ 5%) [R111]
128	VRSTS2AD4752F	AA		C	Resistor(1/10W 47.5K $\Omega$ $\pm$ 1%) [R112]
129	VRS-TS2AD271J	AA		C	Resistor(1/10W 270 $\Omega$ $\pm$ 5%) [R113]
130	VRS-TS2AD000J	AA		C	Resistor(1/10W 0 $\Omega$ $\pm$ 5%) [R114]
131	VRS-TS2AD000J	AA		C	Resistor(1/10W 0 $\Omega$ $\pm$ 5%) [R115]
132	VRS-TS2AD224J	AA		C	Resistor(1/10W 220K $\Omega$ $\pm$ 5%) [R116]
133	VRS-TS2AD000J	AA		C	Resistor(1/10W 0 $\Omega$ $\pm$ 5%) [R119]
134	VRS-TS2AD103J	AA		C	Resistor(1/10W 10K $\Omega$ $\pm$ 5%) [R125]
135	VRS-TS2AD104J	AA		C	Resistor(1/10W 100K $\Omega$ $\pm$ 5%) [R126]
136	VRS-TS2AD471J	AA		C	Resistor(1/10W 470 $\Omega$ $\pm$ 5%) [R127]
137	VRS-TS2AD471J	AA		C	Resistor(1/10W 470 $\Omega$ $\pm$ 5%) [R128]
138	VRS-TS2AD103J	AA		C	Resistor(1/10W 10K $\Omega$ $\pm$ 5%) [R129]
139	VRS-TS2AD332J	AA		C	Resistor(1/10W 3.3K $\Omega$ $\pm$ 5%) [R130]
140	VRS-TS2AD103J	AA		C	Resistor(1/10W 10K $\Omega$ $\pm$ 5%) [R131]
141	VRS-TS2AD3R0J	AA		C	Resistor(1/10W 3 $\Omega$ $\pm$ 5%) [R136]
142	VRS-TS2AD103J	AA		C	Resistor(1/10W 10K $\Omega$ $\pm$ 5%) [R137][108C/118C/175LU]
143	VRS-TS2AD473J	AA		C	Resistor(1/10W 47K $\Omega$ $\pm$ 5%) [R138]
144	VRS-TS2AD103J	AA		C	Resistor(1/10W 10K $\Omega$ $\pm$ 5%) [R139]
145	VRS-TS2AD104J	AA		C	Resistor(1/10W 100K $\Omega$ $\pm$ 5%) [R140]
146	VRS-TS2AD103J	AA		C	Resistor(1/10W 10K $\Omega$ $\pm$ 5%) [R141]
147	VRS-TS2AD224J	AA		C	Resistor(1/10W 220K $\Omega$ $\pm$ 5%) [R142]
148	VRS-TS2AD302J	AA		C	Resistor(1/10W 3.0K $\Omega$ $\pm$ 5%) [R143]
149	VRS-TS2AD471J	AA		C	Resistor(1/10W 470 $\Omega$ $\pm$ 5%) [R145]
150	VRS-TS2AD223J	AA		C	Resistor(1/10W 22K $\Omega$ $\pm$ 5%) [R146]
151	VRS-TS2AD103J	AA		C	Resistor(1/10W 10K $\Omega$ $\pm$ 5%) [R149]
152	VRS-TS2AD106J	AA		C	Resistor(1/10W 10M $\Omega$ $\pm$ 5%) [R155]
153	VRS-TS2AD471J	AA		C	Resistor(1/10W 470 $\Omega$ $\pm$ 5%) [R156]
154	VRS-TS2AD471J	AA		C	Resistor(1/10W 470 $\Omega$ $\pm$ 5%) [R157]
155	VRS-TS2AD471J	AA		C	Resistor(1/10W 470 $\Omega$ $\pm$ 5%) [R158]
156	VRS-TS2AD471J	AA		C	Resistor(1/10W 470 $\Omega$ $\pm$ 5%) [R159]
157	VRS-TS2AD471J	AA		C	Resistor(1/10W 470 $\Omega$ $\pm$ 5%) [R162]
158	VRS-TS2AD203J	AA		C	Resistor(1/10W 20K $\Omega$ $\pm$ 5%) [R163]
159	VRS-TS2AD202J	AA		C	Resistor(1/10W 2K $\Omega$ $\pm$ 5%) [R164]
160	VRS-TS2AD303J	AA		C	Resistor(1/10W 30K $\Omega$ $\pm$ 5%) [R165]

NO.	PARTS CODE	PRICE RANK	NEW MARK	PART RANK	DESCRIPTION	
[7] Control PWB unit						
161	VRS-TS2AD103J	AA		C	Resistor(1/10W 10KΩ ±5%)	[R166]
162	VRS-TS2AD271J	AA		C	Resistor(1/10W 270Ω ±5%)	[R168]
163	VRS-TS2AD471J	AA		C	Resistor(1/10W 470Ω ±5%)	[R169]
164	VRS-TS2AD471J	AA		C	Resistor(1/10W 470Ω ±5%)	[R170]
165	RCILZ2139SCZZ	AC		C	Coil(Z2139)	[R171]
166	VRS-TS2AD471J	AA		C	Resistor(1/10W 470Ω ±5%)	[R172]
167	VRS-TS2AD471J	AA		C	Resistor(1/10W 470Ω ±5%)	[R174]
168	VRS-TS2AD000J	AA		C	Resistor(1/10W 0Ω ±5%)	[R175]
169	VRS-TS2AD302J	AA		C	Resistor(1/10W 3.0KΩ ±5%)	[R176]
170	VRS-TS2AD623J	AA		C	Resistor(1/10W 62KΩ ±5%)	[R177]
171	VRS-TS2AD332J	AA		C	Resistor(1/10W 3.3KΩ ±5%)	[R178]
172	VRS-TS2AD102J	AA		C	Resistor(1/10W 1.0KΩ ±5%)	[R179]
173	VRS-TS2AD102J	AA		C	Resistor(1/10W 1.0KΩ ±5%)	[R181]
174	VRS-TS2AD102J	AA		C	Resistor(1/10W 1.0KΩ ±5%)	[R183]
175	VRS-TS2AD271J	AA		C	Resistor(1/10W 270Ω ±5%)	[R184]
176	VRS-TS2AD271J	AA		C	Resistor(1/10W 270Ω ±5%)	[R185]
177	VRS-TS2AD471J	AA		C	Resistor(1/10W 470Ω ±5%)	[R186]
178	VRS-TS2AD471J	AA		C	Resistor(1/10W 470Ω ±5%)	[R187]
179	VRS-TS2AD000J	AA		C	Resistor(1/10W 0Ω ±5%)	[R188][108C/118C/175LU]
	VRS-TS2AD153J	AA		C	Resistor(1/10W 15KΩ ±5%)	[R188][178C/188C/375C]
181	VRS-TS2AD152J	AA		C	Resistor(1/10W 1.5KΩ ±5%)	[R189]
182	VRS-TS2AD512J	AA		C	Resistor(1/10W 5.1KΩ ±5%)	[R190]
183	VRS-TS2AD103J	AA		C	Resistor(1/10W 10KΩ ±5%)	[R191]
184	VRSTS2AD8662F	AA		C	Resistor(1/10W 86.6KΩ ±1%)	[R192]
185	VRS-TS2AD203J	AA		C	Resistor(1/10W 20KΩ ±5%)	[R193]
186	VRSTS2AD1742F	AA		C	Resistor(1/10W 17.4KΩ ±1%)	[R194]
187	VRSTS2AD8662F	AA		C	Resistor(1/10W 86.6KΩ ±1%)	[R195]
188	VRS-TS2AD471J	AA		C	Resistor(1/10W 470Ω ±5%)	[R196][178C/188C/375C]
189	VRS-TS2AD471J	AA		C	Resistor(1/10W 470Ω ±5%)	[R200]
190	VRS-TS2AD203J	AA		C	Resistor(1/10W 20KΩ ±5%)	[R201]
191	VRS-TS2AD474J	AA		C	Resistor(1/10W 470KΩ ±5%)	[R202]
192	VRS-TS2AD223J	AA		C	Resistor(1/10W 22KΩ ±5%)	[R204]
193	VRS-TS2AD471J	AA		C	Resistor(1/10W 470Ω ±5%)	[R205]
194	VRS-TS2AD471J	AA		C	Resistor(1/10W 470Ω ±5%)	[R206]
195	VRS-TS2AD332J	AA		C	Resistor(1/10W 3.3KΩ ±5%)	[R207]
196	VRS-TS2AD333J	AA		C	Resistor(1/10W 33KΩ ±5%)	[R209][178C/188C/375C]
197	VRS-TS2AD201J	AG		C	Resistor(1/10W 200Ω ±5%)	[R210][178C/188C/375C]
198	VRS-TS2AD333J	AA		C	Resistor(1/10W 33KΩ ±5%)	[R211]
199	VRS-TS2AD562J	AA		C	Resistor(1/10W 5.6KΩ ±5%)	[R212]
200	VRS-TS2AD333J	AA		C	Resistor(1/10W 33KΩ ±5%)	[R213]
201	VRS-TS2AD271J	AA		C	Resistor(1/10W 270Ω ±5%)	[R214]
202	VRS-TS2AD303J	AA		C	Resistor(1/10W 30KΩ ±5%)	[R215]
203	VRS-TS2AD302J	AA		C	Resistor(1/10W 3.0KΩ ±5%)	[R216]
204	VRS-TS2AD303J	AA		C	Resistor(1/10W 30KΩ ±5%)	[R217][178C/188C/375C]
205	VRS-TS2AD103J	AA		C	Resistor(1/10W 10KΩ ±5%)	[R218]
206	VRS-TS2AD152J	AA		C	Resistor(1/10W 1.5KΩ ±5%)	[R219]
207	VRS-TS2AD103J	AA		C	Resistor(1/10W 10KΩ ±5%)	[R220]
208	VRS-TS2AD000J	AA		C	Resistor(1/10W 0Ω ±5%)	[R221]
209	VRS-TS2AD473J	AA		C	Resistor(1/10W 47KΩ ±5%)	[R222]
210	VRS-TS2AD473J	AA		C	Resistor(1/10W 47KΩ ±5%)	[R223]
211	VRS-TS2AD103J	AA		C	Resistor(1/10W 10KΩ ±5%)	[R224]
212	VRS-TS2AD133J	AA		C	Resistor(1/10W 13KΩ ±5%)	[R225]
213	VRS-TS2AD332J	AA		C	Resistor(1/10W 3.3KΩ ±5%)	[R226]
214	VRS-TS2AD000J	AA		C	Resistor(1/10W 0Ω ±5%)	[R227][178C/188C/375C]
215	VRS-TS2AD562J	AA		C	Resistor(1/10W 5.6KΩ ±5%)	[R228]
216	VRS-TS2AD471J	AA		C	Resistor(1/10W 470Ω ±5%)	[R229]
217	VRS-TS2AD471J	AA		C	Resistor(1/10W 470Ω ±5%)	[R230]
218	VRS-TS2AD471J	AA		C	Resistor(1/10W 470Ω ±5%)	[R231]
219	VRS-TS2AD303J	AA		C	Resistor(1/10W 30KΩ ±5%)	[R232]
220	VRS-TS2AD471J	AA		C	Resistor(1/10W 470Ω ±5%)	[R233]
221	VRS-TS2AD471J	AA		C	Resistor(1/10W 470Ω ±5%)	[R234]
222	VRS-TS2AD000J	AA		C	Resistor(1/10W 0Ω ±5%)	[R235][108C/118C/175LU]
	VCKYTV1HB102K	AA		C	Capacitor(50WV 1000PF)	[R235][178C/188C/375C]
224	VRS-TS2AD201J	AG		C	Resistor(1/10W 200Ω ±5%)	[R236]
225	VRS-TS2AD271J	AA		C	Resistor(1/10W 270Ω ±5%)	[R237]
226	VRS-TS2AD103J	AA		C	Resistor(1/10W 10KΩ ±5%)	[R238][178C/188C/375C]
227	VRS-TS2AD121J	AA		C	Resistor(1/10W 120Ω ±5%)	[R239]
228	RMPTY8103SCJF	AF		C	Block resistor(1/8W 10KΩ ±1%)	[RA1]
229	RMPTW4271SCJF	AD		C	Block resistor(1/8W 270Ω ±1%)	[RA2]
230	RMPTW4271SCJF	AD		C	Block resistor(1/8W 270Ω ±1%)	[RA3]
231	RMPTW4271SCJF	AD		C	Block resistor(1/8W 270Ω ±1%)	[RA4]
232	RMPTW4271SCJF	AD		C	Block resistor(1/8W 270Ω ±1%)	[RA5]
233	RMPTW4271SCJF	AD		C	Block resistor(1/8W 270Ω ±1%)	[RA6]
234	RMPTW4471SCJF	AD		C	Block resistor(1/8W 470Ω ±1%)	[RA7]
235	QSW-M2259SCZZ	AF	N	B	Door sensor	[SW1]
236	RCRSB2122SCZZ	AH	N	B	Crystal(24.00014MHz)	[X1]
237	RCRSB0297AFZZ	AD		B	Crystal(32.768KHz)	[X2]
238	TLABP3078SCZZ	AA		D	Shading label(for EP-ROM)	
	(Unit)					
901	DCEKC185KXHZZ	BZ	N	E	Control PWB unit(Within ROM)	[178C/188C/375C]

NO.	PARTS CODE	PRICE RANK	NEW MARK	PART RANK	DESCRIPTION
<b>[7] Control PWB unit</b>					
901	DCEKC187KXHZZ	BV	N	E	Control PWB unit(Within ROM) [108C/118C]
	DCEKC587JXHZZ	BV	N	E	Control PWB unit(Within ROM) [175LU]
<b>[8] TEL/Liu PWB unit</b>					
1	VHVRA391PV6-1	AE		B	Varistor(RA391PV6) [AR1]
2	QCNW-4753XHZZ	AE	N	C	Cable [ARG]
3	VCKYPU1HB222K	AA		C	Capacitor(50WV 2200PF) [C1]
4	RC-FZ3024SCZZ	AG		C	Capacitor(250WV 0.82μF) [C2]
5	VCKYPU1HB222K	AA		C	Capacitor(50WV 2200PF) [C3]
6	VCKYPU1HB222K	AA		C	Capacitor(50WV 2200PF) [C4]
7	VCKYPU1HB103K	AA		C	Capacitor(50WV 0.010μF) [C5]
8	VCEAGA1HW226M	AB		C	Capacitor(50WV 22μF) [C6]
9	VCEAGA1HW475M	AA		C	Capacitor(50WV 4.7μF) [C7]
10	VCQYNA1HM333K	AA		C	Capacitor(50WV 0.033μF) [C8]
11	VCKYPU1HB102K	AA		C	Capacitor(50WV 1000PF) [C9]
12	VCKYPU1HB102K	AA		C	Capacitor(50WV 1000PF) [C10]
13	VCEAGA1HW475M	AA		C	Capacitor(50WV 4.7μF) [C11]
14	VCEAGA1HW475M	AA		C	Capacitor(50WV 4.7μF) [C12]
15	VCEAGA1HW225M	AA		C	Capacitor(50WV 2.2μF) [C13]
16	VCEAGA1HW475M	AA		C	Capacitor(50WV 4.7μF) [C14]
17	VCKYPU1HB102K	AA		C	Capacitor(50WV 1000PF) [C15]
18	VCKYPU1HB102K	AA		C	Capacitor(50WV 1000PF) [C16]
19	VCKYPU1HB221K	AB		C	Capacitor(50WV 220PF) [C17]
20	VCKYPU1HB332K	AA		C	Capacitor(50WV 3300PF) [C18]
21	VCKYPU1HF223Z	AA		C	Capacitor(50WV 0.022μF) [C19]
22	RRLYD3221SCZZ	AN		B	Relay [CML]
23	QCNM2548SC1B	AH	N	C	Connector(12pin) [CNLIU]
24	VHDDSS133//1	AA		B	Diode(1SS133) [D1]
25	VHDDSS133//1	AA		B	Diode(1SS133) [D2]
26	VHDDSS133//1	AA		B	Diode(1SS133) [D3]
27	VHDDSS133//1	AA		B	Diode(1SS133) [D4]
28	VHINJM2904D-1	AG		B	IC(NJM2904D) [IC1]
29	RFILN2024XHZZ	AG		C	Coil(N2024) [L7]
30	QJAKZ2069SCBB	AG	N	C	Jack [MJ1/2]
31	QJAKZ2070SC0D	AF	N	C	Jack [MJTEL]
32	VHPPC814X//1	AE		B	Photo transistor(PC814X) [PC1]
33	VHPTLP521-1BL	AE		B	Photo coupler(TLP521) [PC2]
34	VSDTC114ES/-1	AB		B	Transistor(DTC114ES) [Q1]
35	VS2SC1815GR-1	AB		B	Transistor(2SC1815GR) [Q2]
36	VSDTC114ES/-1	AB		B	Transistor(DTC114ES) [Q3]
37	VRD-HT2EY151J	AA		C	Resistor(1/4W 150Ω ±5%) [R2]
38	VRD-HT2EY300J	AA		C	Resistor(1/4W 30Ω ±5%) [R3]
39	VRD-HT2EY910J	AA		C	Resistor(1/4W 91Ω ±5%) [R4]
40	VRD-HT2HY223J	AA		C	Resistor(1/2W 22KΩ ±5%) [R5]
41	VRD-HT2EY223J	AA		C	Resistor(1/4W 22KΩ ±5%) [R6]
42	VRD-HT2EY103J	AA		C	Resistor(1/4W 10KΩ ±5%) [R9]
43	VRD-HT2EY103J	AA		C	Resistor(1/4W 10KΩ ±5%) [R10]
44	VRD-HT2EY152J	AA		C	Resistor(1/4W 1.5KΩ ±5%) [R11]
45	VRD-HT2EY102J	AA		C	Resistor(1/4W 1.0KΩ ±5%) [R12]
46	VRD-HT2EY152J	AA		C	Resistor(1/4W 1.5KΩ ±5%) [R13]
47	VRD-HT2EY153J	AA		C	Resistor(1/4W 15KΩ ±5%) [R14]
48	VRD-HT2EY332J	AA		C	Resistor(1/4W 3.3KΩ ±5%) [R15]
49	VRD-HT2EY103J	AA		C	Resistor(1/4W 10KΩ ±5%) [R16]
50	VRD-HT2EY103J	AA		C	Resistor(1/4W 10KΩ ±5%) [R17]
51	VRD-HT2EY102J	AA		C	Resistor(1/4W 1.0KΩ ±5%) [R18]
52	VRD-HT2EY103J	AA		C	Resistor(1/4W 10KΩ ±5%) [R19]
53	VRD-HT2EY153J	AA		C	Resistor(1/4W 15KΩ ±5%) [R20]
54	VRD-HT2EY621J	AA		C	Resistor(1/4W 620Ω ±5%) [R21]
55	VRD-HT2EY332J	AA		C	Resistor(1/4W 3.3KΩ ±5%) [R22]
56	VRD-HT2EY102J	AA		C	Resistor(1/4W 1.0KΩ ±5%) [R23]
57	QSW-Z2263XHZZ	AG	N	B	Hook switch [SW1]
58	RTRNZ2128XH01	AP		B	Transformer(Z2128) [T1]
59	VHVERZV5D471/	AC		B	Varistor(ERZVA5D471) [VA1]
60	VHVERZV5D471/	AC		B	Varistor(ERZVA5D471) [VA2]
61	VHEHZ2C1///-1	AA		B	Zener diode(HZ2C1-TA) [ZD1]
62	VHEHZ2C1///-1	AA		B	Zener diode(HZ2C1-TA) [ZD2]
63	VHEHZ27-1//1	AB		B	Zener diode(HZ27C-1TA) [ZD3]
64	VHEHZ2C1///-1	AA		B	Zener diode(HZ2C1-TA) [ZD4]
65	VHEHZ2C1///-1	AA		B	Zener diode(HZ2C1-TA) [ZD5]
	(Unit)				
901	DCEKL366BXH01	BE	N	E	TEL/Liu PWB unit

NO.	PARTS CODE	PRICE RANK	NEW MARK	PART RANK	DESCRIPTION
<b>[9] Power supply PWB unit</b>					
1	0CBUGZ1063ZZ/	AF	N	C	Capacitor(CFJC22E104M-X) [C1]
2	0CBUGZ1060ZZ/	AL		C	Capacitor(KMF200VB-220M 18x30) [C5]
3	0CBUGFQ103DU/	AF	N	C	Capacitor(ECQE4103KF) [C6]
4	0CBUGCU102CB/	AD	N	C	Capacitor(ECKZ3A102KBP) [C7]
5	0CBUGFF103AR/	AC		C	Capacitor(AMZ-103K50) [C8]
6	0CBUGFF683AR/	AD		C	Capacitor(AMZ-683K50) [C9]
7	0CBUGFF102AR/	AB		C	Capacitor(AMZ-102K50) [C10]
8	0CBUGFF102AR/	AB		C	Capacitor(AMZ-102K50) [C11]
9	0CBUGCZ472HN/	AF	N	C	Capacitor(ECKMRS472MEY) [C12]
10	0CBUGCZ332HN/	AE	N	C	Capacitor(ECKMRS332MEY) [C13]
11	0CBUGFF102AR/	AB		C	Capacitor(AMZ-102K50) [C14]
12	0CBUGAE681UG/	AH		C	Capacitor(UPJ1V681MHH1AA) [C15]
13	0CBUGCZ222AD/	AC		C	Capacitor(DD08E222P500V) [C16]
14	0CBUGAC471UM/	AF		C	Capacitor(UPJ1C471MPH6AA) [C18]
15	0CBUGAF1R0HD/	AC		C	Capacitor(UVZ1H010MDH1AA) [C19]
16	0CBPKZ0194ZZ/	AC		C	Connector(B 2P3-VH) [CN1]
17	0CBPKZ1105ZZ/	AH	N	C	Connector(10PL-FJ) [CN2]
18	0CBUBC0215CZ/	AD	N	B	Diode(RL1N4004) [D1]
19	0CBUBC0215CZ/	AD	N	B	Diode(RL1N4004) [D2]
20	0CBUBC0215CZ/	AD	N	B	Diode(RL1N4004) [D3]
21	0CBUBC0215CZ/	AD	N	B	Diode(RL1N4004) [D4]
22	0CBUBC0169CZ/	AF	N	B	Diode(ERA22-06) [D5]
23	0CBUBA0003BZ/	AD	N	B	Diode(IS2076A) [D6]
24	0CBUBC0336AZ/	AL	N	B	Diode(S3L20U-4004P15) [D7]
25	0CBUBC0302AZ/	AE		B	Diode(SR140) [D8]
26	0CBUBA0003BZ/	AD	N	B	Diode(IS2076A) [D9]
27	0CBPJCSX2501/	AH		A	Current fuse(23702.5 ME600) [F1]
28	0CBPZZ0906ZZ/	AH	N	A	Circuit protect chip(CCP2E100) [F3]
29	0CBBFZ89209Z/	AC		C	Ferrite core(BL01RN1-A62) [FB1]
30	0CBUCB0196AZ/	AR	N	B	IC(BA178M05T) [IC1]
31	0CBUKZ0776ZZ/	AK		C	Filter(ELF15N007A) [L1]
32	0CBUDC0062AZ/	AF		B	Photo coupler(PS2501-1) [PC1]
33	0CBUAG0166BZ/	AQ	N	B	FET(FS10KM-10) [Q1]
34	0CBUAC0027CZ/	AG		B	Transistor(2SC2655-Y) [Q2]
35	0CBUAC0034EZ/	AE		B	Transistor(2SC1740S) [Q3]
36	0CBUAC0264AZ/	AD	N	B	Transistor(2SC1741AS QR) [Q4]
37	0CBUEEB564CS/	AC	N	C	Resistor(RD16S 564J) [R1]
38	0CBUEFER18CH/	AD		C	Resistor(SPRX2-R18J) [R2]
39	0CBUEEB822CS/	AC	N	C	Resistor(RD16S 822J) [R3]
40	0CBUEEB101CS/	AC	N	C	Resistor(RD16S 101J) [R4]
41	0CBUEEB184CS/	AC	N	C	Resistor(RD16S 184J) [R5]
42	0CBUEEB154CS/	AC	N	C	Resistor(RD16S 154J) [R6]
43	0CBUEFE823CG/	AC		C	Resistor(RSS2 823J) [R7]
44	0CBUEEB681CB/	AC	N	C	Resistor(RD50SS 681J) [R8]
45	0CBUEEB681CS/	AC	N	C	Resistor(RD16S 681J) [R9]
46	0CBUEEB220CS/	AC	N	C	Resistor(RD16S 220J) [R10]
47	0CBUEEB681CS/	AC	N	C	Resistor(RD16S 681J) [R11]
48	0CBUEEB222CS/	AC	N	C	Resistor(RD16S 222J) [R12]
49	0CBUEEB271CS/	AC	N	C	Resistor(RD16S 271J) [R13]
50	0CBUEEB392CS/	AC	N	C	Resistor(RD16S 392J) [R14]
51	0CBUEEB122CS/	AC	N	C	Resistor(RD16S 122J) [R15]
52	0CBUEEB681CB/	AC	N	C	Resistor(RD50SS 681J) [R16]
53	0CBPHZ0184ZZ/	AR	N	B	Relay(AJS3312) [RY1]
54	0CB829655007/	BE		B	Transformer(PT-U53-KTT) [T1]
55	0CBUDC0232ZZ/	AF	N	B	Thermistor(KL07L8R2F) [TH1]
56	0CBUEZ0528ZZ/	AD	N	B	Varistor(ERZV07D241-CS) [V1]
57	0CBUFBA471CB/	AD	N	B	Variable resistor(EVN DJA A03 BQ2(471)) [VR1]
58	0CBUBDAC3R9C/	AD		B	Zener diode(RD3.9ESAB2) [ZD2]
59	0CBUBDAC6R2C/	AC		B	Zener diode(RD6.2ESAB2) [ZD3]
60	0CBUBDAE300D/	AD		B	Zener diode(RD30FB3) [ZD4]
61	0CBLRZ6446ZP/	AQ	N	C	Heat sink(J7E36-5001AT)
62	0CBLRZ6447ZP/	AQ	N	C	Heat sink(J7E36-5002AT)
	(Unit)				
901	RDENT2116XHZZ	BN	N	E	Power supply PWB unit
<b>[50] Hardware parts</b>					
B1	XBBSD30P06000	AA		C	Screw(3x6)
B2	LX-BZ2138XHZZ	AB		C	Screw
B3	XUBSD20P06000	AA		C	Screw(2x6)
B4	XEBSD30P10000	AA		C	Screw(3x10)
B5	LX-BZ2222AXZZ	AC		C	Screw
B6	XEBSD30P12000	AA		C	Screw(3x12)
B7	XBPSN40P06K00	AA		C	Screw(4x6)

Index

PARTS CODE	No.	PRICE RANK	NEW MARK	PART RANK
[C]				
CCNW-4745XH01	1-17	AL	N	C
[D]				
DCEKC185KXHZZ	1-43	BZ	N	E
"	7-901	BZ	N	E
DCEKC187KXHZZ	1-43	BV	N	E
"	7-901	BV	N	E
DCEKC587JXHZZ	1-43	BV	N	E
"	7-901	BV	N	E
DCEKL366BXH01	1-21	BE	N	E
"	8-901	BE	N	E
DCEKP367BXH01	2-13	BH	N	E
DCEKP370BXH04	1-12	BF	N	E
DCEKP370BXH01	1-12	BL	N	E
"	2-901	BL	N	E
DCEKP370BXH04	2-901	BF	N	E
DCEKP370BXH05	1-12	BF	N	E
"	2-901	BF	N	E
DUNT369BXHBE	6-5	BE	N	E
DUNT369BXHOG	6-5	AP	N	E
DUNT369BXHSG	6-5	AV	N	E
[G]				
GCABA2297XHZA	2-1	AT	N	D
GCABA2297XHQB	2-1	AT	N	D
GCABA2297XHQC	2-1	AT	N	D
GCABB2298XHZA	1-18	AT	N	D
GCABB2298XHQB	1-18	AT	N	D
GCABB2298XHQC	1-18	AT	N	D
GCASP2099XHZA	1-22	AN	N	C
GCASP2100XHZZ	1-23	AN	N	C
GDAI-2078XHZA	1-26	AH	N	C
GDAI-2078XHQB	1-26	AH	N	C
GDAI-2078XHQC	1-26	AH	N	C
GLEGG2068XHZZ	1-54	AC	N	C
[H]				
HPNLH2383XHZA	1-61	AK	N	D
HPNLH2383XHQB	1-61	AK	N	D
HPNLH2383XHQC	1-61	AD	N	D
HPNLH2383XHZD	1-61	AK	N	D
HPNLH2383XHZE	1-61	AK	N	D
HPNLH2383XHZG	1-61	AK	N	D
[J]				
JBTN-2216XHZA	2-2	AF	N	C
JBTN-2216XHQB	2-2	AF	N	C
JBTN-2216XHQC	2-2	AF	N	C
JBTN-2217XHZA	2-3	AD	N	C
JBTN-2217XHQB	2-3	AE	N	C
JBTN-2217XHQC	2-3	AE	N	C
JBTN-2218XHZZ	2-4	AE	N	C
JBTN-2219XHZZ	2-5	AD	N	C
[L]				
LBNDJ2006XHZZ	1-13	AA		C
"	2-14	AA		C
LBSHP2092XHZZ	1-44	AC	N	C
LBSHP2093XHZZ	3-1	AC	N	C
LFRM-2184XHZZ	1-1	AP	N	C
LFRM-2185XHZZ	1-28	AH	N	C
LFRM-2186XHZZ	5-1	AH	N	C
LFRM-2187XHZZ	4-1	AR	N	C
LPLTG2911XHZZ	3-2	AE	N	C
LPLTM2910XHZZ	4-2	AG	N	C
"	5-2	AG	N	C
LPLTP2908XHZZ	3-3	AE	N	C
LPLTP2909XHZA	2-6	AE	N	C
LPLTP2909XHQB	2-6	AE	N	C
LPLTP2909XHQC	2-6	AE	N	C
LSTPF2049XHZZ	1-14	AD	N	C
LX-BZ2138XHZZ	50-B2	AB		C
LX-BZ2222AXZZ	50-B5	AC		C
[M]				
MARMP2019XHZZ	1-45	AC	N	C
MCAMP2024XHZZ	4-3	AE	N	C
"	5-3	AE	N	C
MLEVP2261XHZZ	1-27	AD	N	C
MLEVP2262XHZZ	1-40	AD	N	C
MLEVP2263XHZZ	1-19	AC	N	C
MLEVP2264XHZZ	3-4	AD	N	C
MLEVP2265XHZZ	3-5	AD	N	C
MLEVP2266XHZZ	4-4	AD	N	C
"	5-4	AD	N	C

PARTS CODE	No.	PRICE RANK	NEW MARK	PART RANK
MLEVP2267XHZZ	4-5	AD	N	C
"	5-5	AD	N	C
MLEVP2268XHZZ	4-6	AD	N	C
"	5-6	AD	N	C
MLEVP2270XHZZ	5-7	AD	N	C
MSPRC2945XHZZ	1-46	AC	N	C
MSPRC2948XHZZ	1-29	AC	N	C
MSPRC2949XHZZ	1-2	AC	N	C
MSPRC2950XHZZ	1-3	AC	N	C
MSPRC2954XHZZ	2-7	AC	N	C
MSPRC2955XHZZ	4-8	AC	N	C
"	5-8	AC	N	C
MSPRC2989XHZZ	1-41	AC	N	C
MSPRC3005XHZZ	1-58	AC	N	C
MSPRD2947XHZZ	1-20	AC	N	C
MSPRD2953XHZZ	3-6	AC	N	C
MSPRP2944XHZZ	3-7	AC	N	C
MSPRT2951XHZZ	3-8	AC	N	C
"	3-9	AC	N	C
MSPRT2956XHZZ	4-9	AC	N	C
"	5-9	AC	N	C
[N]				
NGERH2356XHZZ	5-10	AC	N	C
NGERH2379XHZZ	1-30	AC	N	C
"	4-11	AC	N	C
"	5-11	AC	N	C
NGERH2380XHZZ	1-31	AC	N	C
"	4-12	AC	N	C
"	5-12	AC	N	C
NGERH2382XHZZ	1-47	AC	N	C
NGERH2383XHZZ	3-10	AC	N	C
NGERH2387XHZZ	4-13	AC	N	C
"	5-13	AC	N	C
NGERH2390XHZZ	5-14	AC	N	C
NGERH2391XHZZ	5-15	AC	N	C
NGERH2392XHZZ	1-32	AC	N	C
NGERH2402XHZZ	3-11	AC	N	C
NGERP2318XHZZ	2-8	AD		C
NROLP2332XHZZ	1-48	AD		C
NROLP2334XHZA	1-4	AC	N	C
NROLR2372XHZZ	3-12	AL	N	C
NROLR2373XHZZ	3-13	AL	N	C
NROLR2374XHZZ	3-14	AP	N	C
NROLR2375XHZZ	1-33	AL	N	C
NROLR2376XHZZ	1-49	AX	N	C
NSFTZ2273XHZZ	1-34	AF	N	C
NSFTZ2274XHZZ	1-50	AK	N	C
NSFTZ2281XHZZ	1-5	AD	N	C
[P]				
PCUT-2037SCZZ	1-51	AT	N	C
PGIDP2496XHZZ	1-42	AD	N	C
PGIDP2497XHZZ	1-6	AC	N	C
PGIDP2498XHZZ	1-7	AC	N	C
PGIDP2499XHZZ	1-35	AD	N	C
PGIDP2500XHZZ	1-36	AD	N	C
PGIDP2501XHZA	2-9	AE	N	C
PGIDP2501XHQB	2-9	AE	N	C
PGIDP2501XHQC	2-9	AE	N	C
PGIDP2502XHZA	2-10	AE	N	C
PGIDP2502XHQB	2-10	AE	N	C
PGIDP2502XHQC	2-10	AE	N	C
PGIDP2503XHZZ	2-10	AE	N	C
PGIDP2503XHQB	1-56	AH	N	C
PGIDP2504XHZZ	3-15	AF	N	C
PGIDP2505XHZZ	1-37	AF	N	C
PGIDP2506XHZZ	1-52	AE	N	C
PGIDP2507XHZZ	1-53	AF	N	C
PGIDP2513XHZZ	1-35	AH	N	C
PGIDP2514XHZZ	1-36	AH	N	C
PSHEZ3324XHZZ	1-8	AD	N	C
PSHEZ3325XHZZ	1-55	AD	N	C
PSHEZ3362XHZA	1-57	AD	N	C
PSHEZ3364XHZZ	1-63	AD	N	C
PSHEZ3365XHZZ	3-16	AD	N	C
PSHEZ3369XHZZ	1-64	AD	N	C
PSHEZ3373XHZZ	1-62	AD	N	C
PSHEZ3374XHZZ	1-57	AD	N	C
PWIR-2029XHZZ	1-66	AG	N	C
[Q]				
QACCZ2002XHZZ	1-24	AT		B
QCNCM2401SC0B	7-88	AA		C

PARTS CODE	No.	PRICE RANK	NEW MARK	PART RANK
QCNCM2442SC0B	7-82	AB		C
QCNCM2548SC1B	8-23	AH	N	C
QCNCM7014SC0B	7-83	AD		C
QCNCM7014SC0F	7-85	AB		C
QCNCM7014SC0G	7-81	AB		C
QCNCM7014SC1E	7-86	AC		C
QCNCM7014SC1F	7-89	AD		C
QCNCW2500SC1B	7-84	AF		C
QCNCW2500SC1J	7-87	AD	N	C
QCNCW-3247SCZZ	6-6	AH		C
QCNCW-3975XHGY	6-6	AG		C
QCNCW-3976XHAG	6-7	AH		C
QCNCW-3976XHBE	6-7	AT		C
QCNCW-3976XHOG	6-7	AT		C
QCNCW-4748XHZA	1-9	AP	N	C
QCNCW-4749XHZZ	4-16	AD	N	C
"	5-16	AD	N	C
QCNCW-4750XHZZ	5-17	AD	N	C
QCNCW-4753XHZZ	8-2	AE	N	C
QCNCW-4816XHZA	1-15	AL	N	C
"	2-12	AL	N	C
QCNCW-4817XHZA	1-10	AE	N	C
QCNCW-4849XHZZ	1-38	AG	N	C
QCNCW-4850XHZZ	1-38	AG	N	C
QJAKZ2069SCBB	8-30	AG	N	C
QJAKZ2070SC0D	8-31	AF	N	C
QSOZ2051SC32	7-102	AC		C
QSW-F2224SCZZ	4-18	AE		B
"	5-18	AE		B
QSW-M2259SCZZ	7-235	AF	N	B
QSW-Z2263XHZZ	8-57	AG	N	B
[R]				
RC-FZ3024SCZZ	8-4	AG		C
RCILZ2139SCZZ	7-165	AC		C
RCILZ2145XHZZ	7-108	AF	N	C
"	7-109	AF	N	C
"	7-110	AF	N	C
"	7-111	AF	N	C
RCORF2064XHZZ	1-60	AF		B
RCORF2103XHZZ	1-59	AF		B
RCRSB0297AFZZ	7-237	AD		B
RCRSB2122SCZZ	7-236	AH	N	B
RDENT2116XHZZ	1-25	BN	N	E
"	9-901	BN	N	E
RFILN2024XHZZ	8-29	AG		C
RHEDZ2054XHZZ	1-11	BP	N	B
RMOTZ2134XHZZ	4-19	BA	N	B
"	5-19	BA	N	B
RMPTW4271SCJF	7-229	AD		C
"	7-230	AD		C
"	7-231	AD		C
"	7-232	AD		C
"	7-233	AD		C
RMPTW4471SCJF	7-234	AD		C
RMPTY8103SCJF	7-228	AF		C
RRLYD3221SCZZ	8-22	AN		B
RTRNZ2128XH01	8-58	AN		B
RUNTZ2020SCZZ	1-39	BF	N	B
RUNTZ2021SCZZ	1-39	BF	N	B
[S]				
SPAKA160AXHZZ	6-9	AF	N	D
SPAKA161AXHZZ	6-10	AF	N	D
SPAKA162AXHZZ	6-11	AF	N	D
SPAKC286AXHZZ	6-3	AQ	N	D
SPAKC306AXHZZ	6-3	AQ	N	D
SPAKC308AXHZZ	6-3	AQ	N	D
SPAKC309AXHZZ	6-3	AQ	N	D
SPAKC310AXHZZ	6-3	AQ	N	D
SPAKP3385SCZZ	6-8	AG		D
SPKAC384AXHZZ	6-3	AQ	N	D
[T]				
TCADZ2590XHZZ	6-12	AD	N	D
TCADZ2592XHZZ	6-12	AD	N	D
TCADZ2622XHZZ	6-18		N	D
TINSE3816XHZZ	6-1	AQ	N	D
TINSK3836XHZZ	6-1	AL	N	D
TLABH4237XHZZ	6-2	AC	N	D
TLABH4624XHZZ	1-65	AC	N	D
TLABM4500XHZZ	6-4	AC	N	D
TLABM4502XHZZ	6-4	AC	N	D

PARTS CODE	No.	PRICE RANK	NEW MARK	PART RANK
TLABM4503XHZZ	6-4	AC	N	D
TLABM4594XHZZ	6-4	AC	N	D
TLABM4605XHZZ	6-4	AC	N	D
TLABP3078SCZZ	7-238	AA		D
[U]				
UBATL2046SCZZ	7-1	AK	N	B
[V]				
VCCCTV1HH150J	7-17	AA		C
VCCCTV1HH180J	7-18	AA		C
VCCCTV1HH220J	7-37	AA		C
"	7-38	AA		C
"	7-69	AA		C
"	7-70	AA		C
"	7-71	AA		C
"	7-72	AA		C
"	7-73	AA		C
"	7-74	AA		C
"	7-75	AA		C
VCCSTV1HL102J	7-53	AA		C
VCCSTV1HL391J	7-30	AA		C
VCEAGA1EW476M	7-2	AA		C
"	7-4	AA		C
"	7-10	AA		C
VCEAGA1HW105M	7-3	AB		C
VCEAGA1HW106M	7-6	AA		C
"	7-7	AA		C
"	7-9	AA		C
VCEAGA1HW107M	7-8	AA		C
VCEAGA1HW225M	8-15	AA		C
VCEAGA1HW226M	7-11	AB		C
"	8-8	AB		C
VCEAGA1HW475M	7-5	AA		C
"	8-9	AA		C
"	8-13	AA		C
"	8-14	AA		C
"	8-16	AA		C
VCKYPU1HB102K	8-11	AA		C
"	8-12	AA		C
"	8-17	AA		C
"	8-18	AA		C
VCKYPU1HB103K	8-7	AA		C
VCKYPU1HB221K	8-19	AB		C
VCKYPU1HB222K	8-3	AA		C
"	8-5	AA		C
"	8-6	AA		C
VCKYPU1HB332K	8-20	AA		C
VCKYPU1HF223Z	8-21	AA		C
VCKYTQ1HF104Z	7-58	AA		C
"	7-65	AA		C
VCKYTV1CF105Z	7-12	AB		C
"	7-14	AB		C
"	7-15	AB		C
"	7-16	AB		C
"	7-19	AB		C
"	7-21	AB		C
"	7-23	AB		C
"	7-24	AB		C
"	7-25	AB		C
"	7-26	AB		C
"	7-27	AB		C
"	7-29	AB		C
"	7-36	AB		C
"	7-39	AB		C
"	7-40	AB		C
"	7-41	AB		C
"	7-51	AB		C
"	7-55	AB		C
"	7-62	AB		C
"	7-66	AB		C
VCKYTV1EB104K	7-31	AA		C
"	7-34	AA		C
"	7-42	AA		C
"	7-46	AA		C
"	7-47	AA		C
"	7-48	AA		C
"	7-54	AA		C
"	7-57	AA		C
"	7-60	AA		C
VCKYTV1EF104Z	7-20	AA		C
"	7-32	AA		C

PARTS CODE	No.	PRICE RANK	NEW MARK	PART RANK
VCKYTV1EF104Z	7-35	AA		C
"	7-43	AA		C
"	7-45	AA		C
"	7-49	AA		C
"	7-59	AA		C
"	7-61	AA		C
"	7-63	AA		C
"	7-67	AA		C
"	7-68	AA		C
VCKYTV1HB102K	7-13	AA		C
"	7-50	AA		C
"	7-64	AA		C
"	7-76	AA		C
"	7-77	AA		C
"	7-78	AA		C
"	7-79	AA		C
"	7-80	AA		C
"	7-222	AA		C
VCKYTV1HB103K	7-28	AB		C
"	7-44	AB		C
VCKYTV1HB221K	7-33	AA		C
VCKYTV1HB222K	7-22	AA		C
VCKYTV1HB472K	7-52	AA		C
VCKYTV1HB681K	7-56	AA		C
VCQYNA1HM333K	8-10	AA		C
VHDDSS133//1	8-24	AA		B
"	8-25	AA		B
"	8-26	AA		B
"	8-27	AA		B
VHDRB705D//1	7-93	AD		B
VHD1SS355//1	7-92	AB		B
VHEHZ2C1///1	8-61	AA		B
"	8-62	AA		B
"	8-64	AA		B
"	8-65	AA		B
VHEHZ27-1//1	8-63	AB		B
VHERD22FB3/-1	7-90	AC		B
VHIHCF4053M1T	7-100	AG	N	B
VHIHCF4066M1T	7-98	AF	N	B
VHILM2902D/-1	7-105	AH	N	B
VHIMC34119DR2	7-95	AH	N	B
VHINJM2904D-1	8-28	AG		B
VHINJM2904M-2	7-106	AG	N	B
VHIPST596CMT1	7-107	AF		B
VHIR96XFC3CID	7-96	BR	N	B
"	7-97	BR	N	B
VHIULN2003AN/	7-101	AE		B
VHIW24257S7LL	7-99	AP		B
VHI27010FWT0B	7-102	BA		B
VHI27010FWU0B	7-102	BA		B
VHI27010FXZ0A	7-102	BA		B
VHPITR9606/-1	7-112	AG	N	B
VHPPC814X//1	8-32	AE		B
VHPTLP521-1BL	8-33	AE		B
VHVERZV5D471/	8-59	AC		B
"	8-60	AC		B
VHVICPS07//1	7-94	AA		B
VHVRA391PV6-1	8-1	AE		B
VRD-HT2EY102J	8-45	AA		C
"	8-51	AA		C
"	8-56	AA		C
VRD-HT2EY103J	8-42	AA		C
"	8-43	AA		C
"	8-49	AA		C
"	8-50	AA		C
"	8-52	AA		C
VRD-HT2EY151J	8-37	AA		C
VRD-HT2EY152J	8-44	AA		C
"	8-46	AA		C
VRD-HT2EY153J	8-47	AA		C
"	8-53	AA		C
VRD-HT2EY223J	8-41	AA		C
VRD-HT2EY300J	8-38	AA		C
VRD-HT2EY332J	8-48	AA		C
"	8-55	AA		C
VRD-HT2EY621J	8-54	AA		C
VRD-HT2EY910J	8-39	AA		C
VRD-HT2HY223J	8-40	AA		C
VRS-RE3AA270J	7-117	AC	N	C
VRS-TS2AD000J	7-130	AA		C

PARTS CODE	No.	PRICE RANK	NEW MARK	PART RANK
VRS-TS2AD000J	7-131	AA		C
"	7-133	AA		C
"	7-168	AA		C
"	7-179	AA		C
"	7-208	AA		C
"	7-214	AA		C
"	7-222	AA		C
VRS-TS2AD102J	7-119	AA		C
"	7-172	AA		C
"	7-173	AA		C
"	7-174	AA		C
VRS-TS2AD103J	7-120	AA		C
"	7-121	AA		C
"	7-122	AA		C
"	7-134	AA		C
"	7-138	AA		C
"	7-140	AA		C
"	7-142	AA		C
"	7-144	AA		C
"	7-146	AA		C
"	7-151	AA		C
"	7-161	AA		C
"	7-183	AA		C
"	7-205	AA		C
"	7-207	AA		C
"	7-211	AA		C
"	7-226	AA		C
VRS-TS2AD104J	7-135	AA		C
"	7-145	AA		C
VRS-TS2AD106J	7-152	AA		C
VRS-TS2AD121J	7-126	AA		C
"	7-227	AA		C
VRS-TS2AD133J	7-212	AA		C
VRS-TS2AD152J	7-181	AA		C
"	7-206	AA		C
VRS-TS2AD153J	7-179	AA		C
VRS-TS2AD201J	7-127	AG		C
"	7-197	AG		C
"	7-224	AG		C
VRS-TS2AD202J	7-159	AA		C
VRS-TS2AD203J	7-158	AA		C
"	7-185	AA		C
"	7-190	AA		C
VRS-TS2AD221J	7-118	AA		C
VRS-TS2AD223J	7-150	AA		C
"	7-192	AA		C
VRS-TS2AD224J	7-132	AA		C
"	7-147	AA		C
VRS-TS2AD271J	7-129	AA		C
"	7-162	AA		C
"	7-175	AA		C
"	7-176	AA		C
"	7-201	AA		C
"	7-225	AA		C
VRS-TS2AD3R0J	7-141	AA		C
VRS-TS2AD302J	7-148	AA		C
"	7-169	AA		C
"	7-203	AA		C
VRS-TS2AD303J	7-124	AA		C
"	7-160	AA		C
"	7-202	AA		C
"	7-204	AA		C
"	7-219	AA		C
VRS-TS2AD332J	7-139	AA		C
"	7-171	AA		C
"	7-195	AA		C
"	7-213	AA		C
VRS-TS2AD333J	7-196	AA		C
"	7-198	AA		C
"	7-200	AA		C
VRS-TS2AD471J	7-123	AA		C
"	7-125	AA		C
"	7-136	AA		C
"	7-137	AA		C
"	7-149	AA		C
"	7-153	AA		C
"	7-154	AA		C
"	7-155	AA		C
"	7-156	AA		C
"	7-157	AA		C

PARTS CODE	No.	PRICE RANK	NEW MARK	PART RANK
VRS-TS2AD471J	7-163	AA		C
"	7-164	AA		C
"	7-166	AA		C
"	7-167	AA		C
"	7-177	AA		C
"	7-178	AA		C
"	7-188	AA		C
"	7-189	AA		C
"	7-193	AA		C
"	7-194	AA		C
"	7-216	AA		C
"	7-217	AA		C
"	7-218	AA		C
"	7-220	AA		C
"	7-221	AA		C
VRS-TS2AD473J	7-143	AA		C
"	7-209	AA		C
"	7-210	AA		C
VRS-TS2AD474J	7-191	AA		C
VRS-TS2AD512J	7-182	AA		C
VRS-TS2AD562J	7-199	AA		C
"	7-215	AA		C
VRS-TS2AD623J	7-170	AA		C
VRSTS2AD1742F	7-186	AA		C
VRSTS2AD4752F	7-128	AA		C
VRSTS2AD8662F	7-184	AA		C
"	7-187	AA		C
VSDTC114ES/-1	8-34	AB		B
"	8-36	AB		B
VSRNC1402//1	7-116	AC		B
VS2SA1037KS-1	7-115	AB		B
VS2SC1815GR-1	8-35	AB		B
VS2SC2412KS-1	7-114	AB		B
VS2SD1858Q2-1	7-113	AE	N	B

PARTS CODE	No.	PRICE RANK	NEW MARK	PART RANK
[X]				
XBBSD30P06000	50-B1	AA		C
XBPSN40P06K00	50-B7	AA		C
XEBSD30P10000	50-B4	AA		C
XEBSD30P12000	50-B6	AA		C
XUBSD20P06000	50-B3	AA		C
[O]				
OCBBFZ89209Z/	9-29	AC		C
OCBLRZ6446ZP/	9-61	AQ	N	C
OCBLRZ6447ZP/	9-62	AQ	N	C
OCBPHZ0184ZZ/	9-53	AR	N	B
OCBPJCSX2501/	9-27	AH		A
OCBPKZ0194ZZ/	9-16	AC		C
OCBPKZ1105ZZ/	9-17	AH	N	C
OCBPZZ0906ZZ/	9-28	AH	N	A
OCBUAC0027CZ/	9-34	AG		B
OCBUAC0034EZ/	9-35	AE		B
OCBUAC0264AZ/	9-36	AD	N	B
OCBUAG0166BZ/	9-33	AQ	N	B
OCBUBA0003BZ/	9-23	AD	N	B
"	9-26	AD	N	B
OCBUBC0169CZ/	9-22	AF	N	B
OCBUBC0215CZ/	9-18	AD	N	B
"	9-19	AD	N	B
"	9-20	AD	N	B
"	9-21	AD	N	B
OCBUBC0302AZ/	9-25	AE		B
OCBUBC0336AZ/	9-24	AL	N	B
OCBUBDAC3R9C/	9-58	AD		B
OCBUBDAC6R2C/	9-59	AC		B
OCBUBDAE300D/	9-60	AD		B
OCBUCB0196AZ/	9-30	AR	N	B
OCBUDC0062AZ/	9-32	AF		B
OCBUDC0232ZZ/	9-55	AF	N	B
OCBUWEB101CS/	9-40	AC	N	C

PARTS CODE	No.	PRICE RANK	NEW MARK	PART RANK
OCBUWEB122CS/	9-51	AC	N	C
OCBUWEB154CS/	9-42	AC	N	C
OCBUWEB184CS/	9-41	AC	N	C
OCBUWEB220CS/	9-46	AC	N	C
OCBUWEB222CS/	9-48	AC	N	C
OCBUWEB271CS/	9-49	AC	N	C
OCBUWEB392CS/	9-50	AC	N	C
OCBUWEB564CS/	9-37	AC	N	C
OCBUWEB681CB/	9-44	AC	N	C
"	9-52	AC	N	C
OCBUWEB681CS/	9-45	AC	N	C
OCBUWEB681CS/	9-47	AC	N	C
OCBUWEB822CS/	9-39	AC	N	C
OCBUWEBER18CH/	9-38	AD		C
OCBUWEBE823CG/	9-43	AC		C
OCBUWEBZ0528ZZ/	9-56	AD	N	B
OCBUWEBFA471CB/	9-57	AD	N	B
OCBUGAC471UM/	9-14	AF		C
OCBUGAE681UG/	9-12	AH		C
OCBUGAF1R0HD/	9-15	AC		C
OCBUGCU102CB/	9-4	AD	N	C
OCBUGCZ222AD/	9-13	AC		C
OCBUGCZ332HN/	9-10	AE	N	C
OCBUGCZ472HN/	9-9	AF	N	C
OCBUGFF102AR/	9-7	AB		C
"	9-8	AB		C
"	9-11	AB		C
OCBUGFF103AR/	9-5	AC		C
OCBUGFF683AR/	9-6	AD		C
OCBUGFQ103DU/	9-3	AF	N	C
OCBUGZ1060ZZ/	9-2	AL		C
OCBUGZ1063ZZ/	9-1	AF	N	C
OCBUKZ0776ZZ/	9-31	AK		C
OCB829655007/	9-54	BE		B

# SHARP

COPYRIGHT © 1998 BY SHARP CORPORATION

ALL RIGHTS RESERVED.

No part of this publication may be reproduced, stored in a retrieval system, or transmitted in any form or by any means, electronic, mechanical, photocopying, recording, or otherwise, without prior written permission of the publisher.

SHARP CORPORATION  
Communication Systems Group  
Quality & Reliability Control Center  
Higashihiroshima, Hiroshima 739-0192, Japan  
Printed in U.S.A.

9804-558NS•IS•T