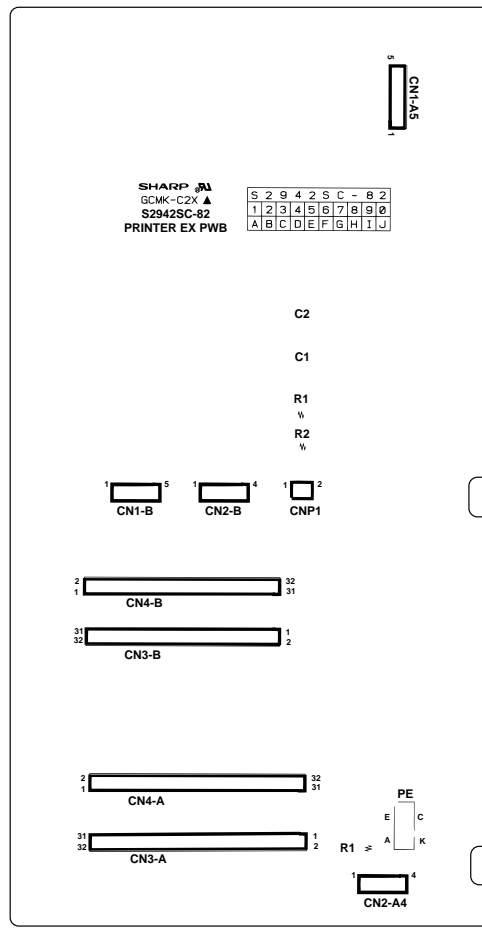




Extension printer board unit



EXTENSION PRINTER PWB

NO.	PARTS CODE	DESCRIPTION	Q'TY	PRICE RANK
1	Q C N W - 4 8 0 2 S C Z Z	CABLE [CNP1]	1	AU
2	Q C N W - 4 8 0 3 S C Z Z	CABLE [CN1-B]	1	AM
3	Q C N W - 4 8 0 4 S C Z Z	CABLE [CN2-B]	1	AM
4	Q C N W - 4 8 0 5 S C Z Z	CABLE [CN3-B],[CN4-B]	2	AW
5	Q C N C M 7 0 1 4 S C 0 B	CONNECTOR [CNP1]	1	AD
6	Q C N C M 7 0 1 4 S C 0 D	CONNECTOR [CN2-A],[CN2-B]	2	AB
7	Q C N C M 7 0 1 4 S C 0 E	CONNECTOR [CN1-A],[CN1-B]	2	AB
8	Q C N C W 2 5 5 6 S C 3 B	CONNECTOR [CN3-A],[CN3-B],[CN4-A],[CN4-B]	4	AG
9	V H P S G 2 0 6 S // - 1	PHOT INTERRUPTER [PC1]	1	AG
10	V R D - H T 2 E Y 4 7 1 J	RESISTOR (1/4W 470Ω ±5%) [R1],[R2]	2	AA

## 2. Description

### 2-1. Extension board unit

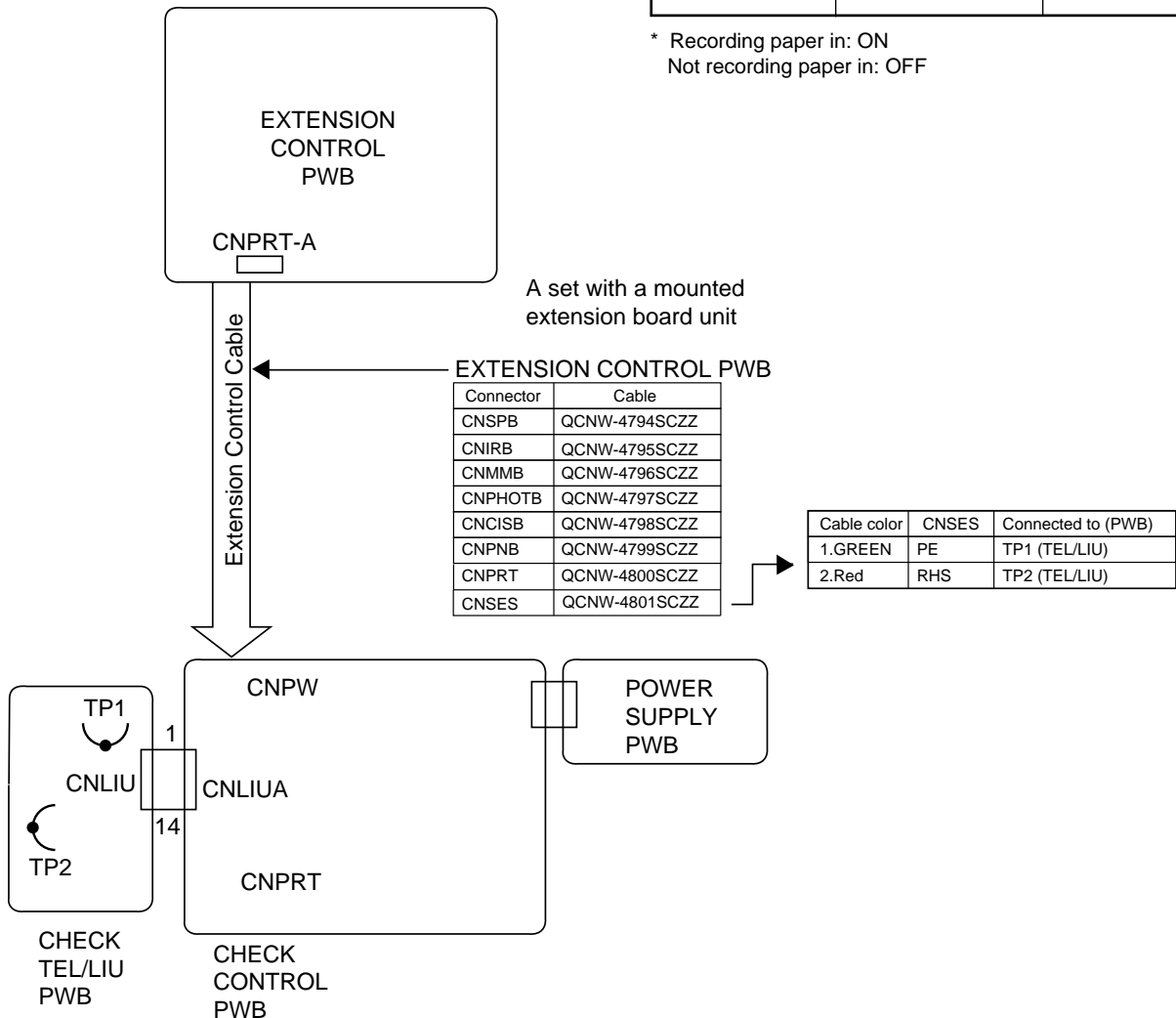
- Remove the TEL/LIU PWB, control PWB and Power Supply PWB from this unit, and mount the extension board unit instead.
  - Before connecting the wiring to the extension board unit, set the test PWB switches to the fixed position.
- The setting is as follows.

#### (1). Check Control PWB only

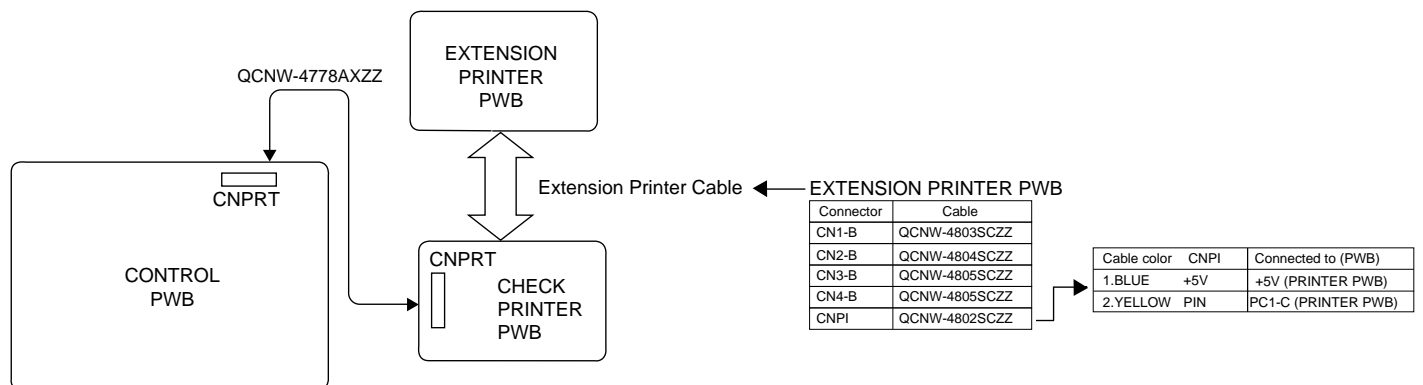
The paper-in sensor (PCI) is operated by OR of the mechanical unit switch and the test PWB switch.  
When performing installation in the machine unit, set the test PWB switch to the fixed position.

	Mechanical unit	PWB to be tested
Actual operation with mechanical unit		
Paper in sensor	ON/OFF operation	OFF (Photo interrupter is interrupted.)
PWB sensor check		
Paper in sensor	OFF	ON/OFF operation

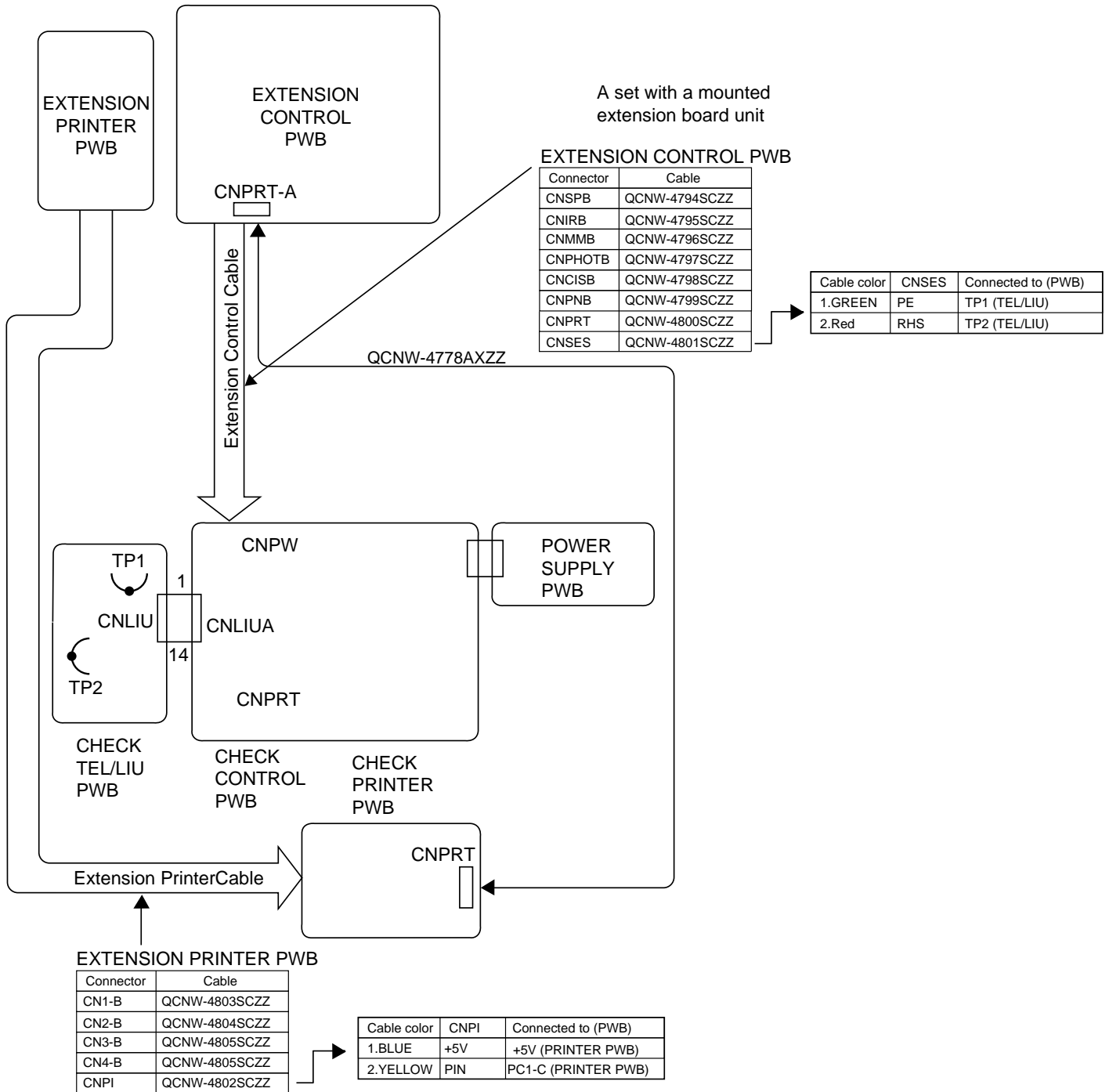
\* Recording paper in: ON  
Not recording paper in: OFF



#### (2). Check Printer PWB only



**(3).Check Printer PWB and Control PWB**



### 3. Shading paper

The white and black basis is applied to remember the shading waveform. Be sure to perform this operation when replacing the battery or replacing the control PWB. Execute in the shading mode of DIAG mode.

UX-108/178 SERIES SHADING WAVE MEMORY STANDARD PAPER (PSHEZ3354SCZZ)

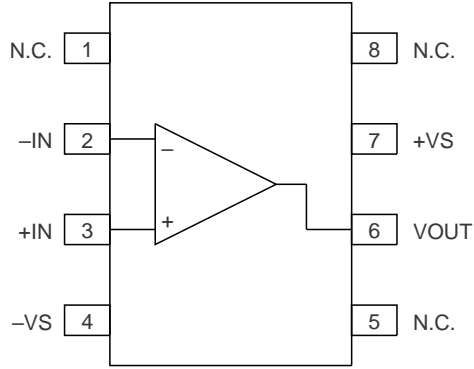


## [2] IC signal name

### CONTROL PWB UNIT

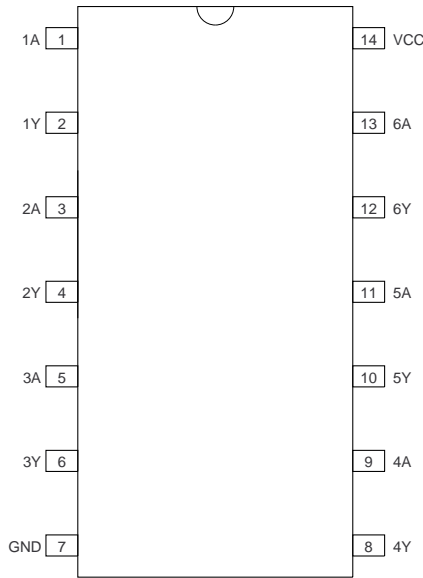
IC100: VHiAD8051// -1 (AD8051)

TOP VIEW



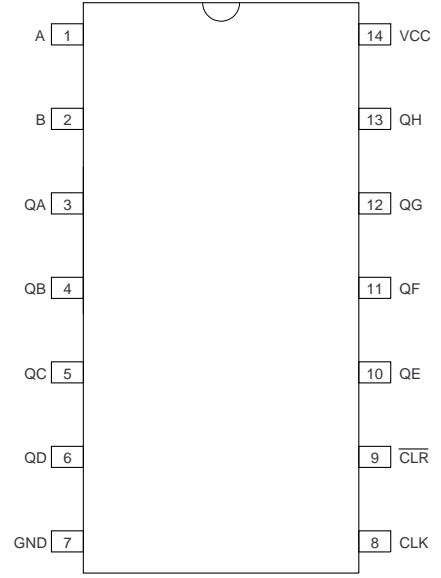
IC7, IC11: VHi74HCU04S-1 (74HCU04)  
IC13: VHiSN74HC14NSR (74HC14)  
IC25: VHiSN74HCO4NSR (HC04)

TOP VIEW

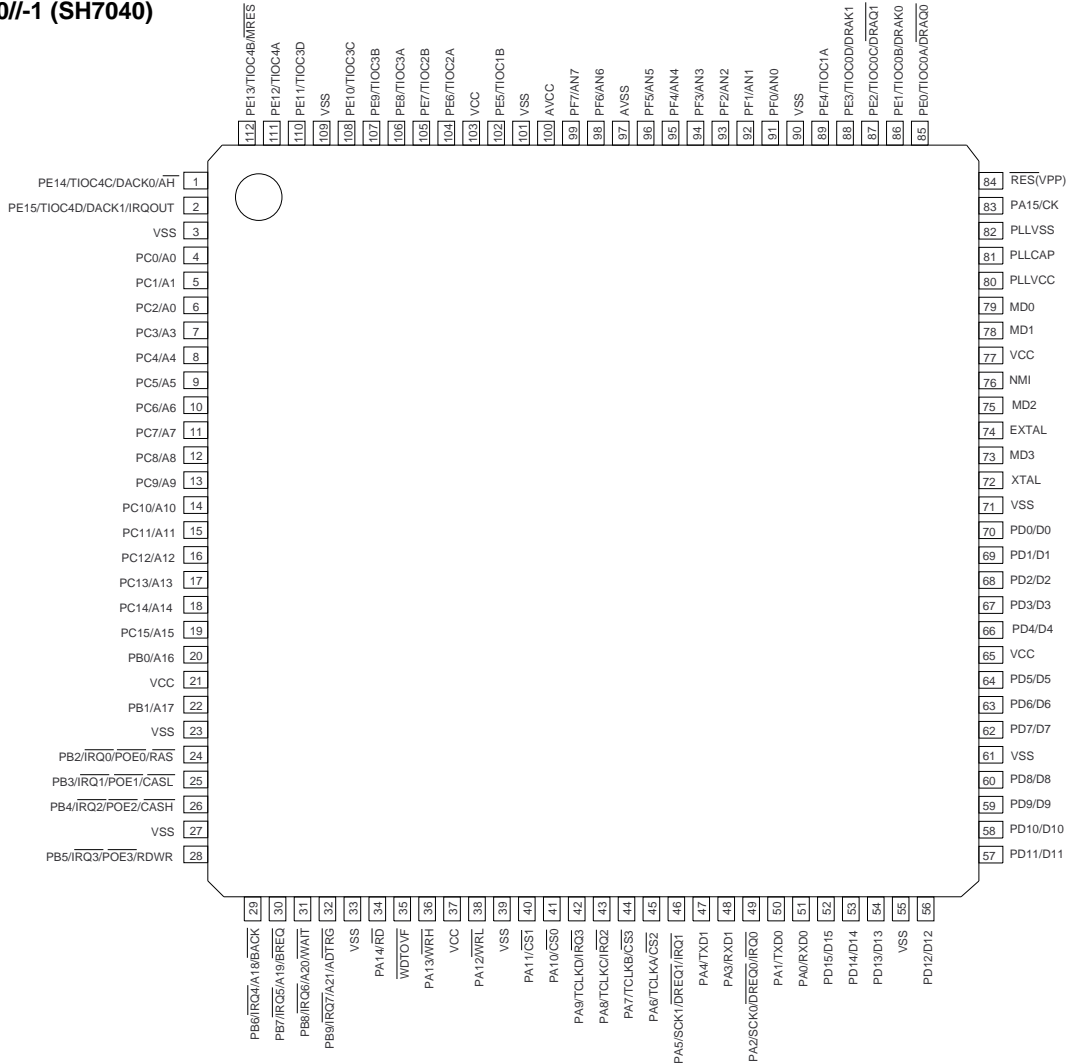


IC26: VHiSN74HC164NR (HC164)

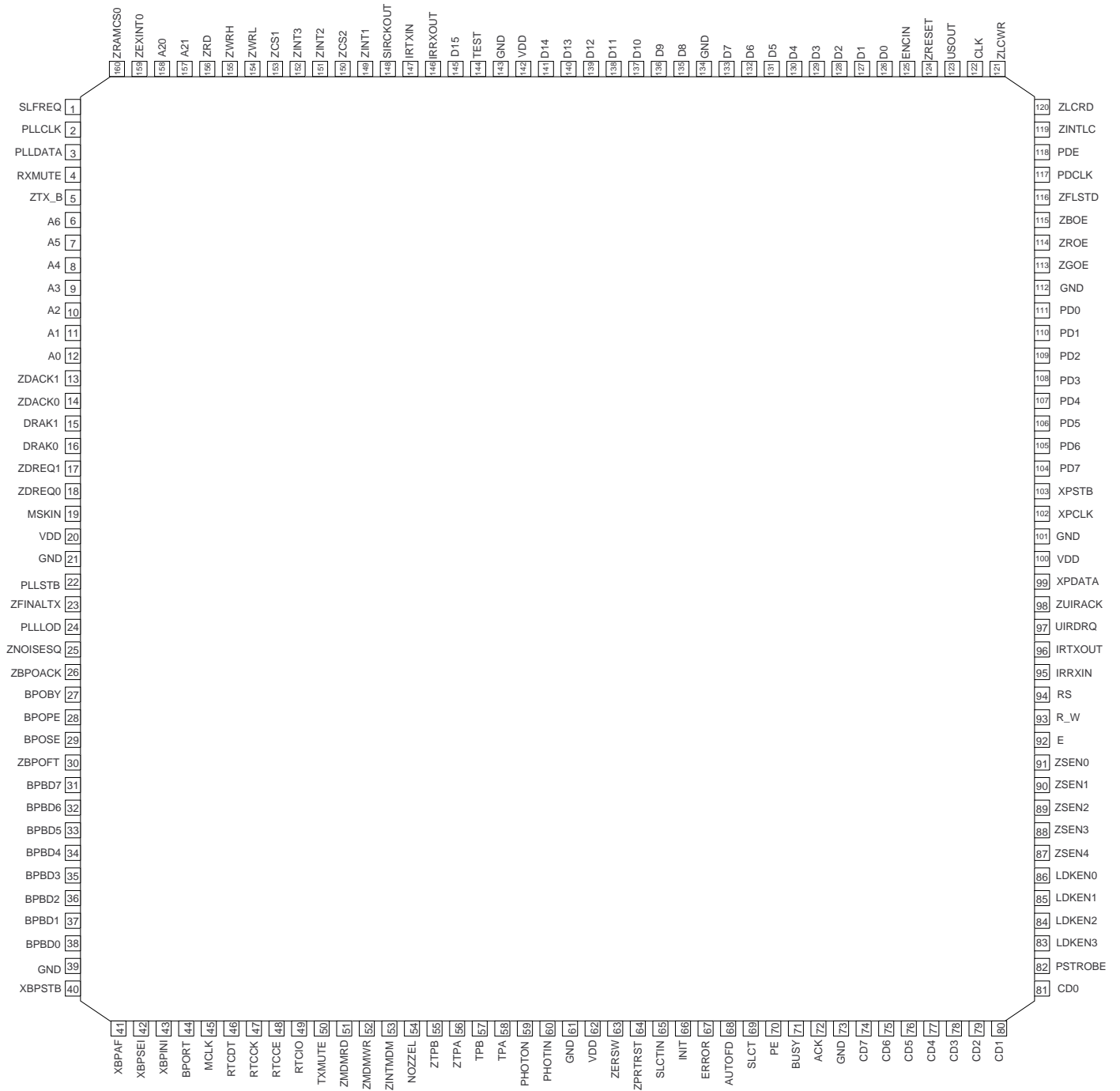
TOP VIEW



IC12: VHiSH7040// -1 (SH7040)



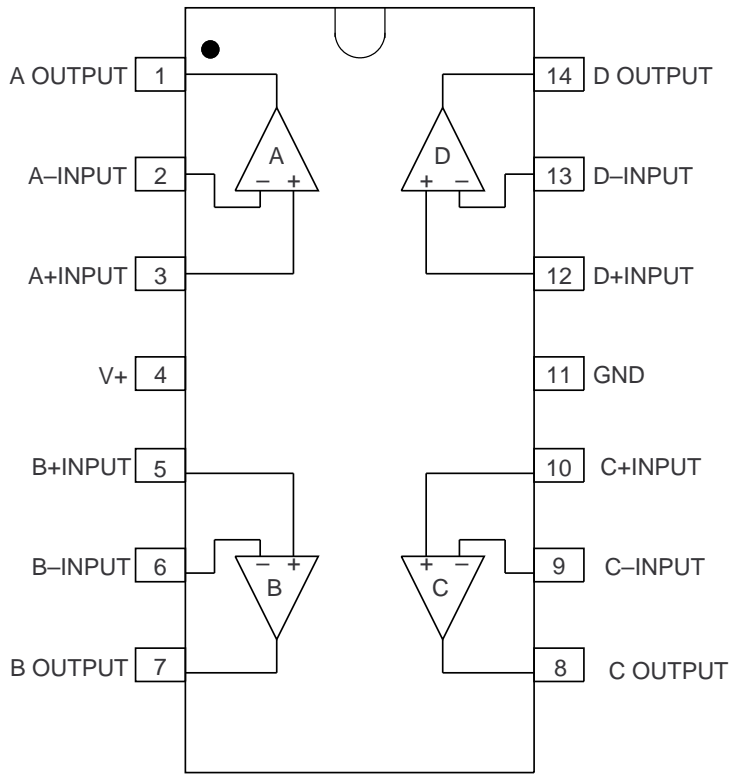
IC10: VHiLZ9FJ49/-1 (LZ9FJ49)



**INK SENSOR PWB UNIT**

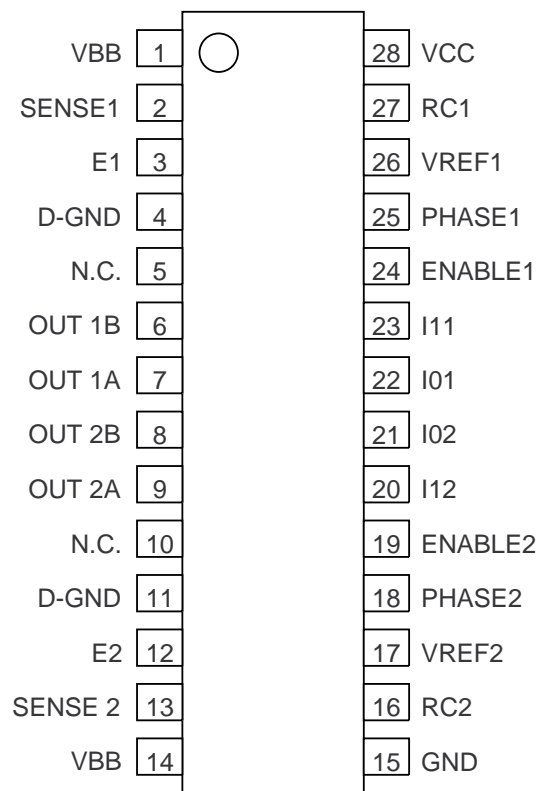
IC1: VHiNJM324M/-1 (LM324M)

TOP VIEW



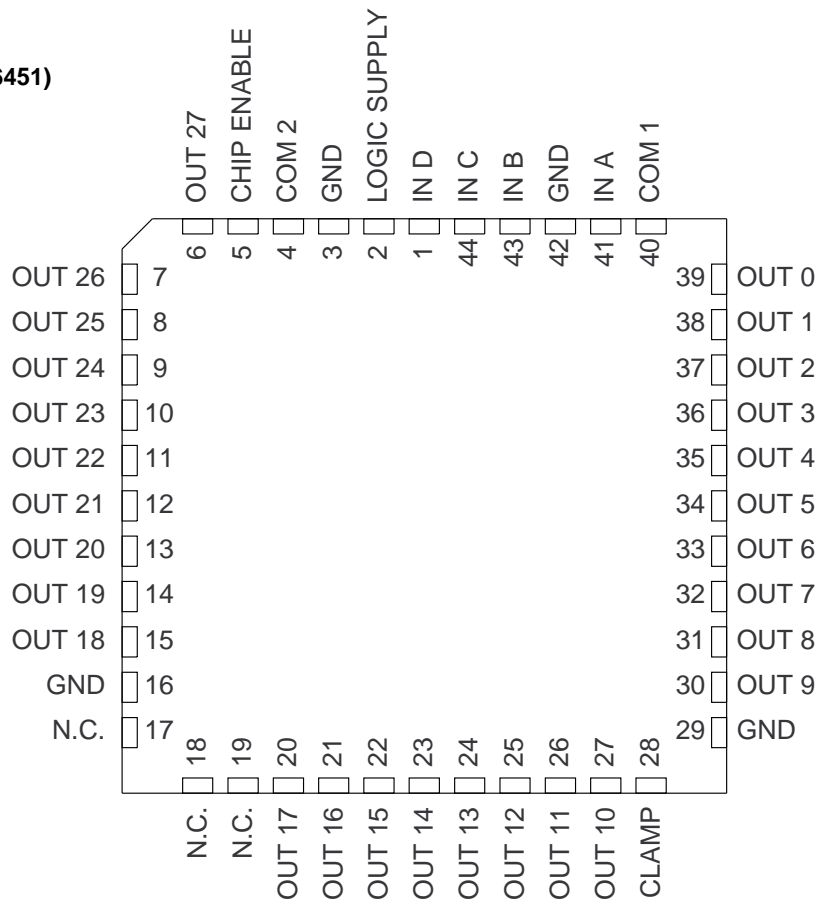
**PRINTER PWB UNIT**

IC1: VHiLB1845///-1 (LB1845)

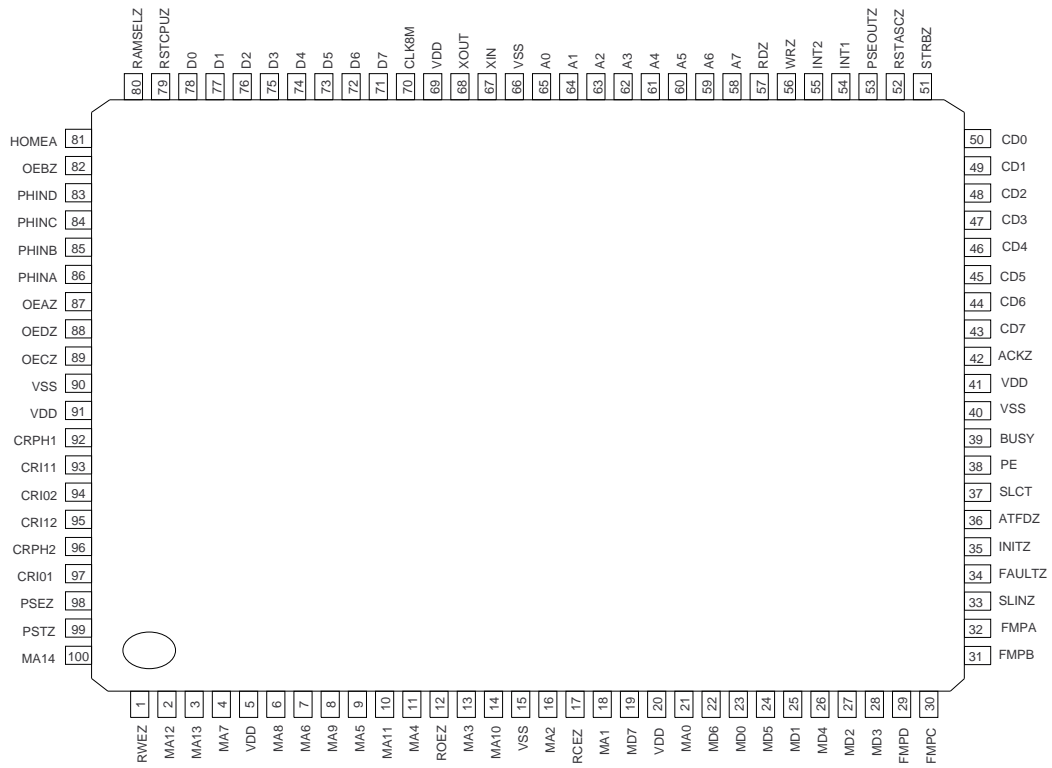


**PRINTER PWB UNIT**

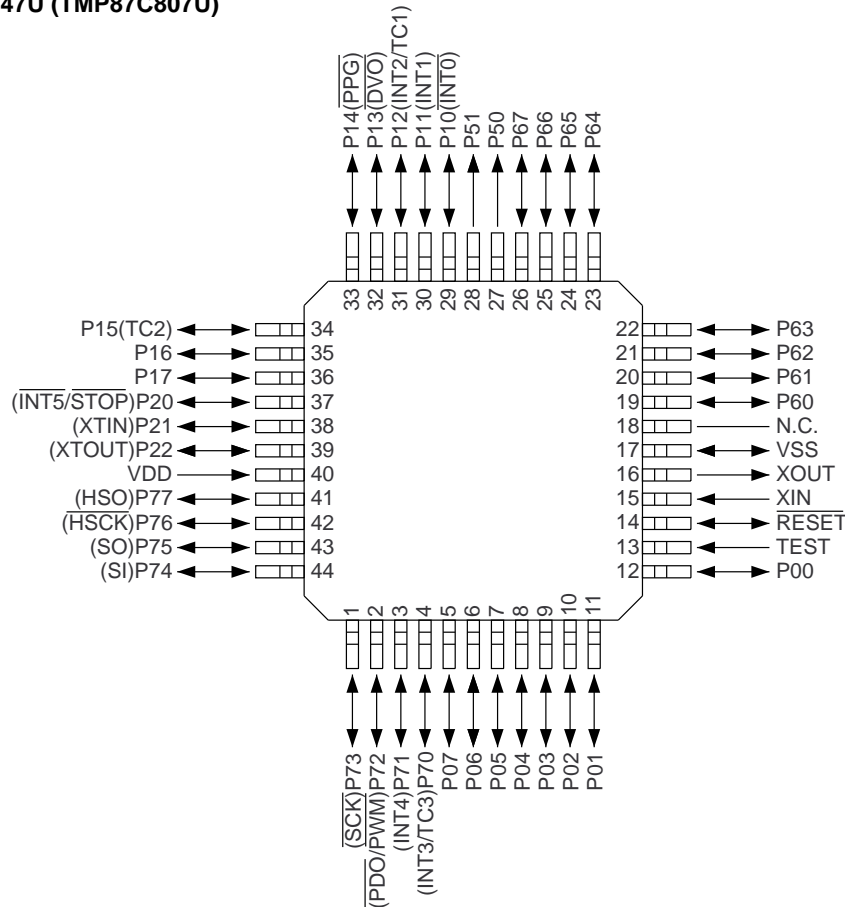
IC4, IC6: VHiL6451///-1 (L6451)



**IC5: VHiTC16G331AF (TC160G331AF)**



**IC8: VHiTMP87PH47U (TMP87C807U)**



**M E M O**

# SHARP PARTS GUIDE

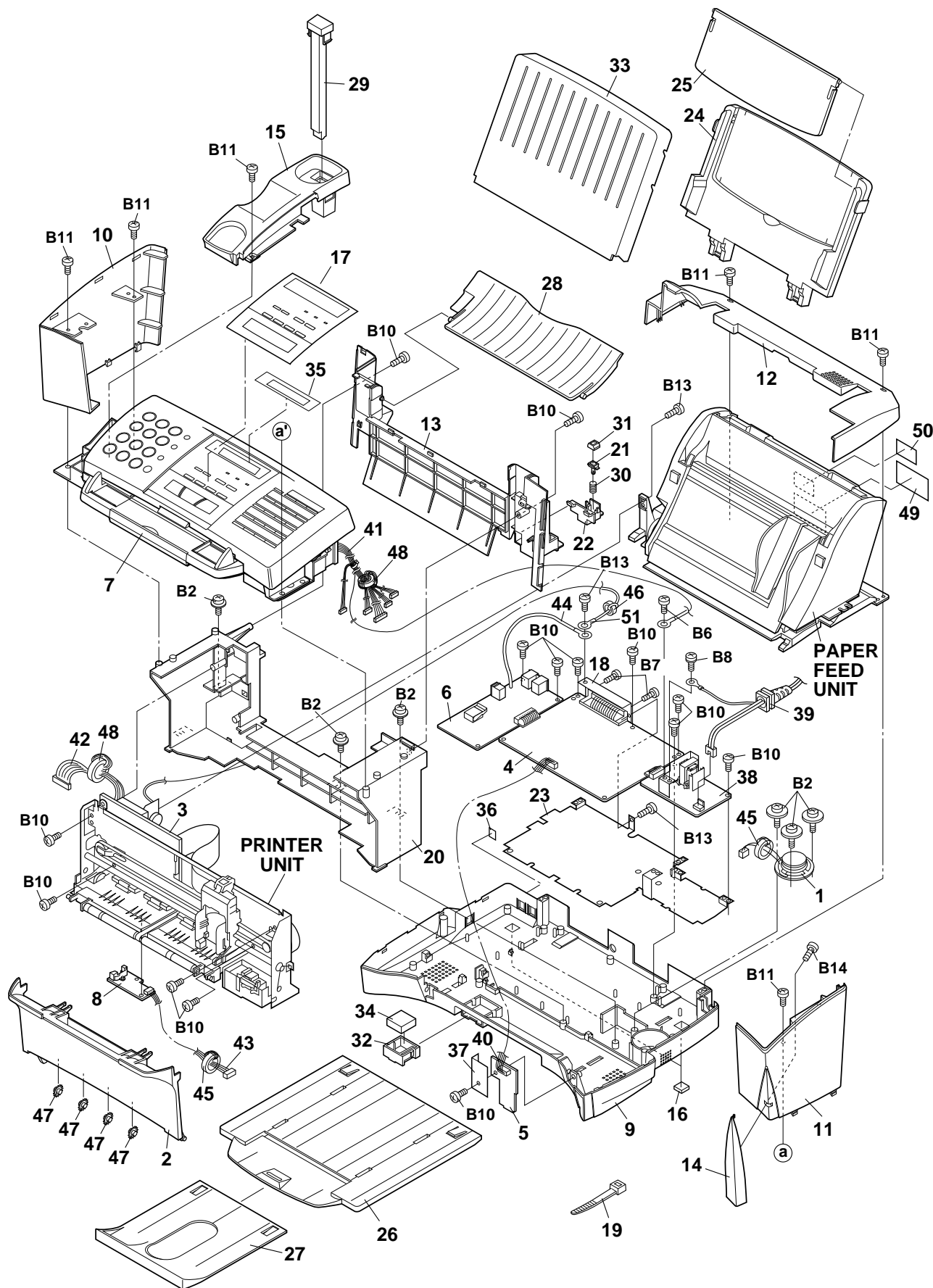
## UX-2200CM MODEL FO-2150CM

### CONTENTS

- |                                  |                             |
|----------------------------------|-----------------------------|
| 1 Cabinet, etc.                  | 10 Control PWB unit         |
| 2 Upper cabinet                  | 11 TEL-Liu PWB unit         |
| 3 Panel cabinet                  | 12 Ink sensor PWB unit      |
| 4 Document guide upper           | 13 Printer PWB unit         |
| 5 Paper feed unit                | 14 Operation panel PWB unit |
| 6 Scanner unit                   | 15 IrDA PWB unit            |
| 7 Drive unit                     | 16 Power supply PWB unit    |
| 8 Printer unit                   | 50 Hardware parts           |
| 9 Packing material & Accessories | ■ Index                     |

Because parts marked with "△" is indispensable for the machine safety maintenance and operation, it must be replaced with the parts specific to the product specification.

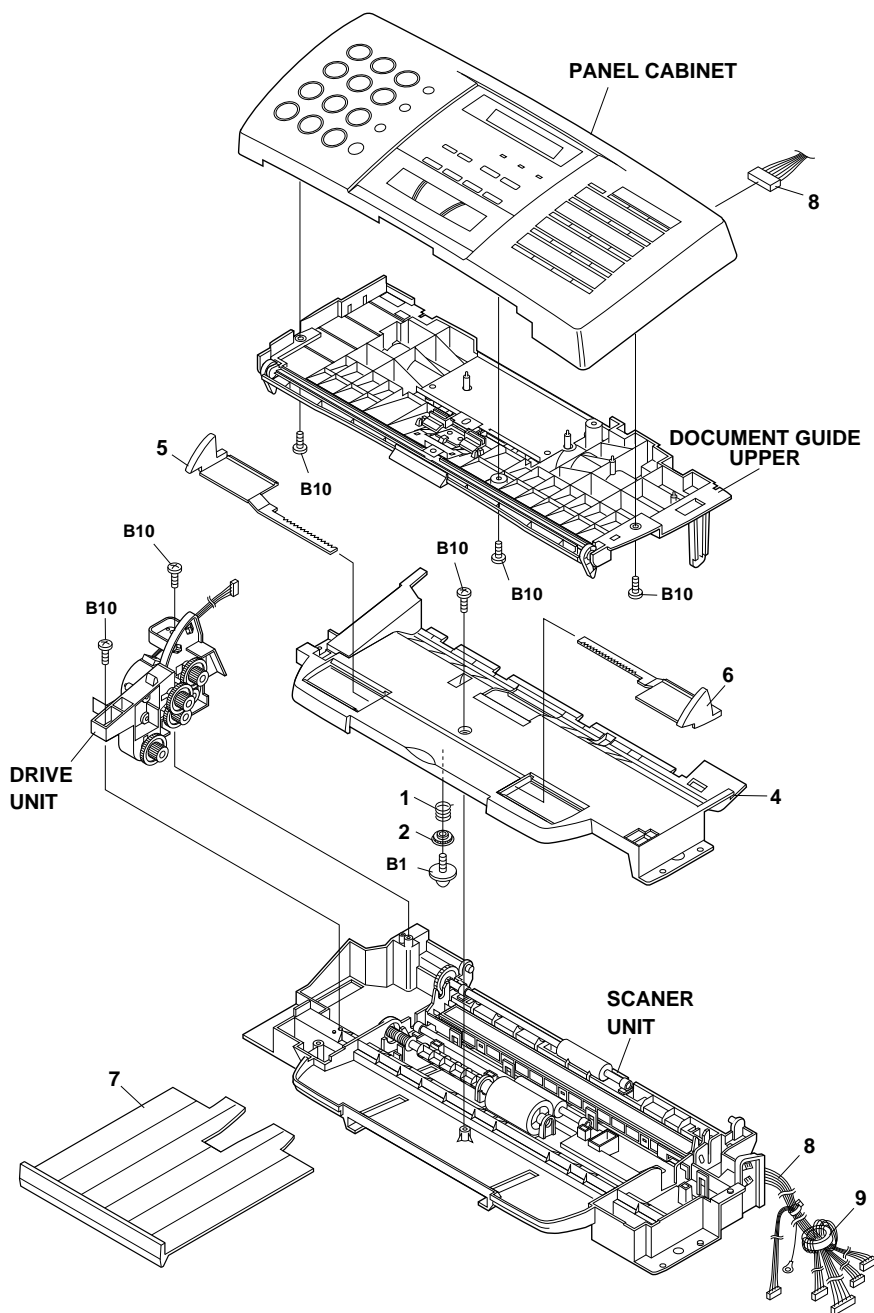
1 Cabinet, etc.



NO.	PARTS CODE	PRICE RANK	NEW MARK	PART RANK	DESCRIPTION
[1] Cabinet, etc.					
1	CCNW-4772AX01	AL	N	C	Speaker ass'y
2	GCOVA2381AXSA	BD	N	D	Front cover [2200CMU/CMC]
	GCOVA2381AXSC	BD	N	D	Front cover [2150CMU/CMC]
3	DCEKC395BAX01	BV	N	E	Printer PWB unit
4	DCEKC781JAXZZ	CM	N	E	Control PWB unit [2200CMU/CMC]
	DCEKC887JAXZZ	CM	N	E	Control PWB unit [2150CMU/CMC]
5	DCEKI394BAX01	BB	N	E	IrDA PWB unit
6	DCEKL391BAX01	BE	N	E	TEL/Liu PWB unit
7	DCEKP390BAX01	BP	N	E	Operation panel unit [2200CMU/CMC]
	DCEKP390BAX02	BP	N	E	Operation panel unit [2150CMU/CMC]
8	DCEKS396BAX01	AZ	N	E	Ink sensor PWB
9	GCABC2301AXSA	AX	N	D	Bottom cabinet [2200CMU/CMC]
	GCABC2301AXSC	AZ	N	D	Bottom cabinet [2150CMU/CMC]
10	GCABD2302AXSA	AM	N	D	Left cabinet [2200CMU/CMC]
	GCABD2302AXSC	AM	N	D	Left cabinet [2150CMU/CMC]
11	GCABE2303AXSA	AL	N	D	Right cabinet [2200CMU/CMC]
	GCABE2303AXSC	AL	N	D	Right cabinet [2150CMU/CMC]
12	GCABF2304AXSA	AP	N	D	Rear cabinet [2200CMU/CMC]
	GCABF2304AXSC	AP	N	D	Rear cabinet [2150CMU/CMC]
13	GCABG2305AXSA	AS	N	D	Printer back cabinet [2200CMU/CMC]
	GCABG2305AXSC	AR	N	D	Printer back cabinet [2150CMU/CMC]
14	GCOVA2382AXSA	AH	N	C	IRDA cover
15	GDAI-2079AXSA	AL	N	C	Handset holder [2200CMU/CMC]
	GDAI-2079AXSC	AN	N	C	Handset holder [2150CMU/CMC]
16	GLEGG2063AXZZ	AC		C	Rubber leg
17	HPNLH2385AXSA	AU	N	D	Decoration panel
18	LANGF2812AXZZ	AG	N	C	232C Bracket
19	LBNDJ2008SCZZ	AA		C	Band(GT-100M)
20	LFRM-2190AXZZ	AX	N	C	Frame
21	LHLDZ2166AXZZ	AD	N	C	Cap holder
22	LHLDZ2171AXSA	AE	N	C	Back cabinet piece [2200CMU/CMC]
	LHLDZ2171AXSC	AE	N	C	Back cabinet piece [2150CMU/CMC]
23	LPLTM2923AXZA		N	C	Shield plate
24	LPLTP2889AXSD	AN	N	C	Paper tray A [2200CMU/CMC]
	LPLTP2889AXSC	AK	N	C	Paper tray A [2150CMU/CMC]
25	LPLTP2890AXSD	AG	N	C	Paper tray B [2200CMU/CMC]
	LPLTP2890AXSC	AZ	N	C	Paper tray B [2150CMU/CMC]
26	LPLTP2925AXSA	AQ	N	C	Paper out tray [2200CMU/CMC]
	LPLTP2925AXSC	AQ	N	C	Paper out tray [2150CMU/CMC]
27	LPLTP2926AXSA	AM	N	C	Extension paper out tray [2200CMU/CMC]
	LPLTP2926AXSC	AM	N	C	Extension paperout tray [2150CMU/CMC]
28	LPLTP2932AXSA	AK	N	C	Document tray
29	MLEVP2278AXSA	AF	N	C	Hook switch lever
30	MSPRC2973AXZZ	AC	N	C	Cap spring
31	PCAPH2021AXZZ	AD	N	C	Cap gum
32	PCASZ2034AXSA	AE	N	C	OOI-Case [2200CMU/CMC]
	PCASZ2034AXSC	AE	N	C	OOI-case [2150CMU/CMC]
33	PCOVA2115AXSA	AL	N	C	Paper cover
34	PFLT-2015AXZZ	AG	N	C	Felt
35	PSHEZ3345AXSA	AG	N	C	LCD sheet
36	PSHEZ3356AXZZ	AC	N	C	Jack sheet
37	PSHEZ3368AXZZ	AD	N	C	IrDA sheet
38	RDENT2122AXZZ	BN	N	E	Power supply PWB unit
39	QACCZ2012XHZZ	AT	N	B	AC cord ass'y
40	QCNW-4773AXZZ	AG	N	D	IRDA cable
41	QCNW-4777AXZZ	AU	N	C	Panel cable
42	QCNW-4778AXZZ	AZ	N	C	Printer cable
43	QCNW-4775AXZZ	AH	N	C	Ink out cable
44	QCNW-4806AXZZ	AD	N	C	ARG cable
45	RCORF2063XHZZ	AF		B	Core
46	RCORF2096FFZZ	AD	N	B	Core
47	NROLM2389AXZZ	AD	N	C	Star roller
48	RCORF2064XHZZ	AF		B	Core
49	TLABG4602AXZZ	AB	N	D	Noise label [2200CMC/2150CMC]
50	TLABS4534SCZZ	AB	N	D	IC label [2200CMC/2150CMC]
51	QCNW4807AXZZ	AE	N	C	Ground cable

△  
△

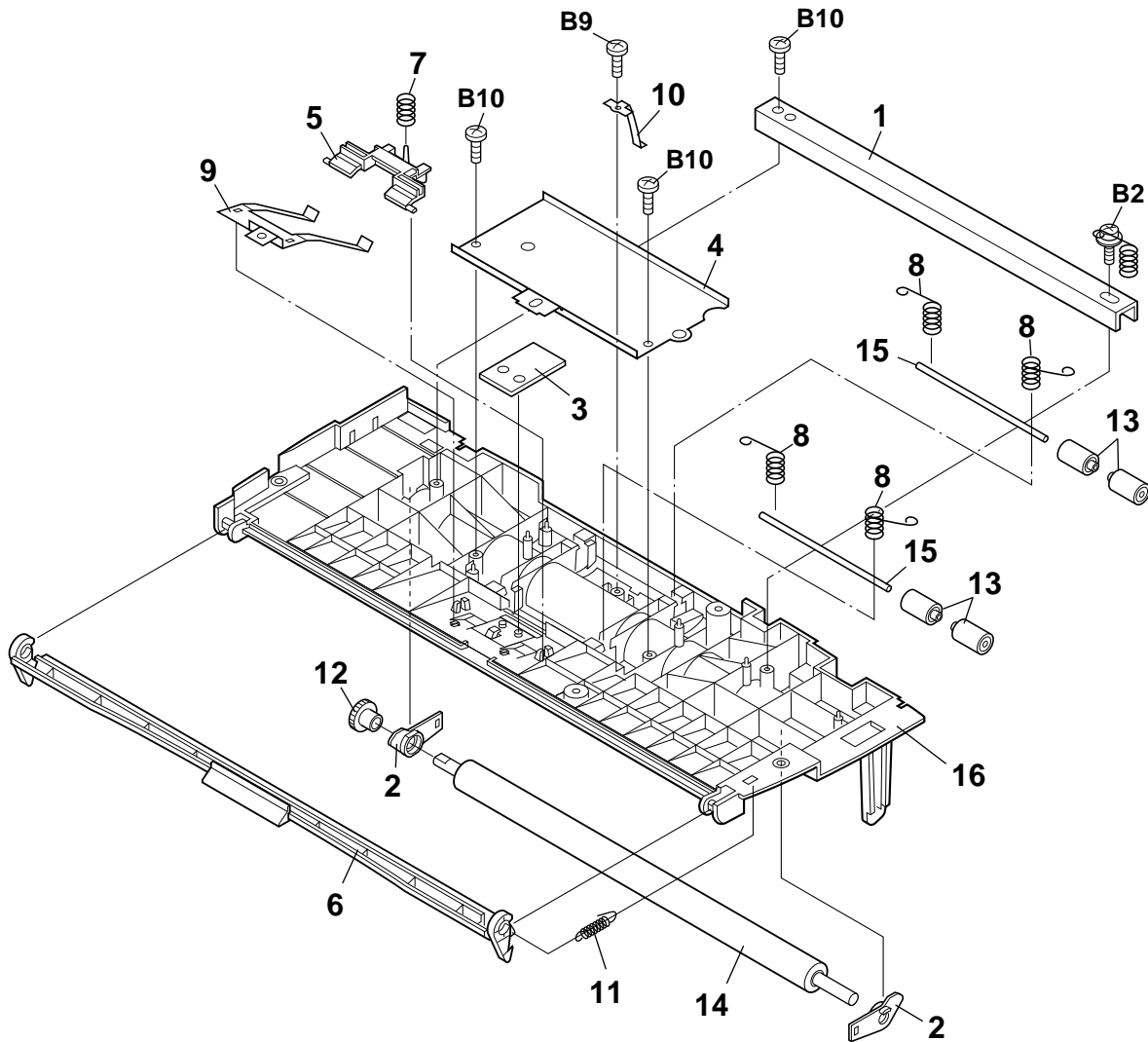
[2] Upper cabinet



NO.	PARTS CODE	PRICE RANK	NEW MARK	PART RANK	DESCRIPTION
[2] Upper cabinet					
1	MSPRC2832AXZZ	AC	N	C	Hopper spring
2	NGERP2318XHZZ	AD		C	Pinion gear
4	PGIDM2509AXSA	AR	N	C	Lower document guide
	PGIDM2509AXSC	AR	N	C	Lower document guide
5	PGIDM2510AXSA	AE	N	C	Hopper guide,left
	PGIDM2510AXSC	AE	N	C	Hopper guide,left
6	PGIDM2511AXSA	AE	N	C	Hopper guide,right
	PGIDM2511AXSC	AE	N	C	Hopper guide,right
7	PHOP-2097AXSA	AK	N	C	Extension hopper
	PHOP-2097AXSC	AK	N	C	Extension hopper
8	QCNW-4777AXZZ	AU	N	C	Panel cable
9	RCORF2064XHZZ	AF		B	Core

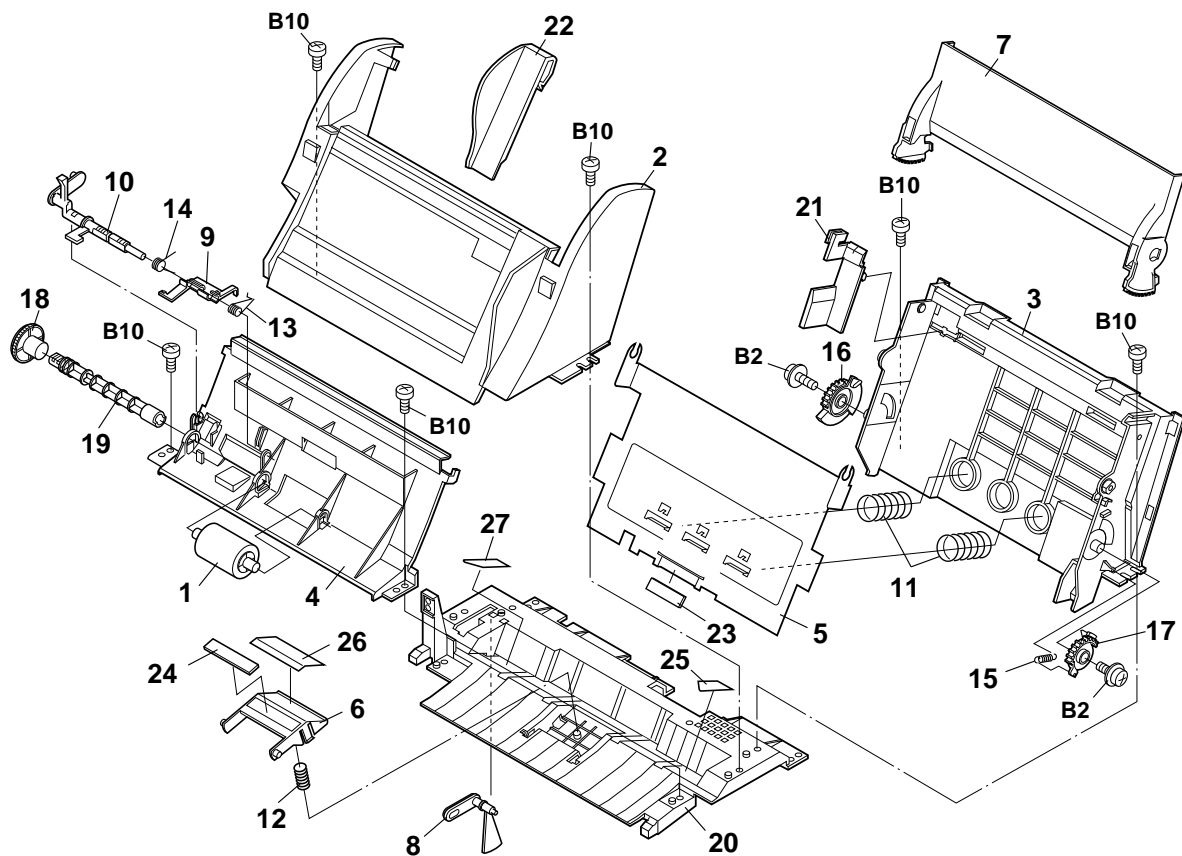


4 Document guide upper



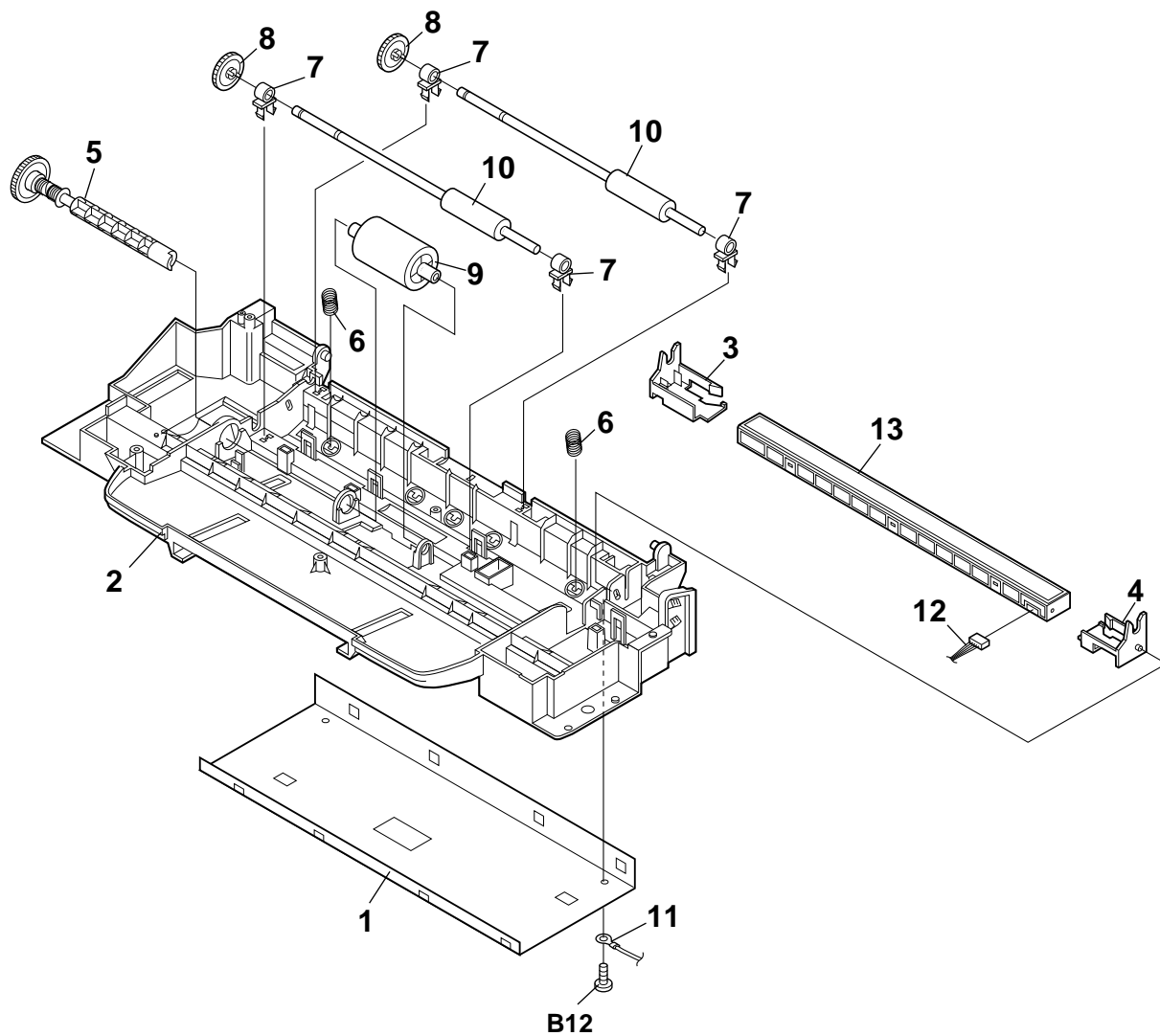
NO.	PARTS CODE	PRICE RANK	NEW MARK	PART RANK	DESCRIPTION	
[4] Document guide upper						
1	LANGF2815AXZZ	AE	N	C	Strength angle	
2	LBSHP2096AXZZ	AK	N	C	BR bearing	
3	LPLTG2707XHZZ	AE	N	C	Separation rubber	
4	LPLTM2917AXZZ	AH	N	C	Streng then plate	
5	LPLTP2916AXZZ	AE	N	C	Separate plate	
6	MLEVP2271AXSA	AH	N	C	Panel lock lever	[2200CMU/CMC]
	MLEVP2271AXSC	AH	N	C	Panel lock lever	[2150CMU/CMC]
7	MSPRC3010AXZZ	AE	N	C	Separate spring	
8	MSPRC3009AXZZ	AB	N	C	Pinch p spring	
9	MSPRP2812SCZZ	AE	N	C	Paper feed spring	
10	MSPRP3003AXZZ	AB	N	C	Document out spring	
11	MSPRT2923AXFJ	AC	N	C	Panel lock lever spring	
12	NGERH2403AXZZ	AD	N	C	Back roller gear	
13	NROLP2334AXZZ	AE	N	C	Pinch roller	
14	NROLR2379AXZZ	AZ	N	C	Back roller	
15	NSFTZ2257AXZZ	AE	N	C	Pinch roller shaft	
16	PGIDM2508AXZZ	AU	N	C	Upper document guide	

5 Paper feed unit



NO.	PARTS CODE	PRICE RANK	NEW MARK	PART RANK	DESCRIPTION
[5] Paper feed unit					
1	CROLR2362AX01	AN		C	PU roller ass'y
2	GCABB2300AXSA	AQ	N	D	Paper feed cabinet [2200CMU/CMC]
	GCABB2300AXSC	AQ	N	D	Paper feed cabinet [2150CMU/CMC]
3	LFRM-2189AXSA	AR	N	C	Paper feed frame [2200CMU/CMC]
	LFRM-2189AXSC	AR	N	C	Paper feed frame [2150CMU/CMC]
4	LHLDZ2165AXZZ	AN	N	C	Paper feed roller holder
5	LPLTM2924AXZZ	AQ	N	C	Paper up plate
6	LPLTP2884AXZZ	AP		C	Separate plate
7	LPLTP2888AXSG	AL	N	C	RP release plate [2200CMU/CMC]
	LPLTP2888AXSC	AP		C	RP release plate [2150CMU/CMC]
8	MLEVP2275AXZZ	AE	N	C	PE sensor lever 3
9	MLEVP2276AXZZ	AE	N	C	PE sensor lever 1
10	MLEVP2277AXZZ	AE	N	C	PE sensor lever 2
11	MSPRC3007AXZZ	AC	N	C	Cassette spring
12	MSPRC2995AXFJ	AC		C	Separate plate spring
13	MSPRD2998AXZZ	AC	N	C	Pe sensor lever spring 1
14	MSPRD3004AXZZ	AB	N	C	Pe sensor lever spring 2
15	MSPRT2932AXFJ	AC		C	RP release spring
16	NGERH2365AXZZ	AD		C	RP release gear,left
17	NGERH2366AXZZ	AD		C	RP release gear,right
18	NGERH2401AXZZ	AF	N	C	Paper feed gear
19	NSFTM2268AXZZ	AE		C	Paper up roller shaft
20	PGIDM2512AXZZ	AS	N	C	Paper feed lower guide
21	PHOP-2098AXSA	AG	N	C	Paper guide hopper [2200CMU/CMC]
	PHOP-2098AXSC	AG	N	C	Paper guide hopper [2150CMU/CMC]
22	PHOP-2099AXSA	AG	N	C	Bypath paper guide [2200CMU/CMC]
	PHOP-2099AXSC	AG	N	C	Bypath paper guide [2150CMU/CMC]
23	PSEL-2015SCZZ	AB		C	RP pad
24	PSHEZ3293AXZZ	AH		C	Separate plate sheet
25	PSHEZ3342AXZZ	AC		C	Guide sheet,right
26	PSHEZ3344AXZZ	AD		C	Separate sheet
27	PSHEZ3357AXZZ	AC	N	C	Guide sheet,Left

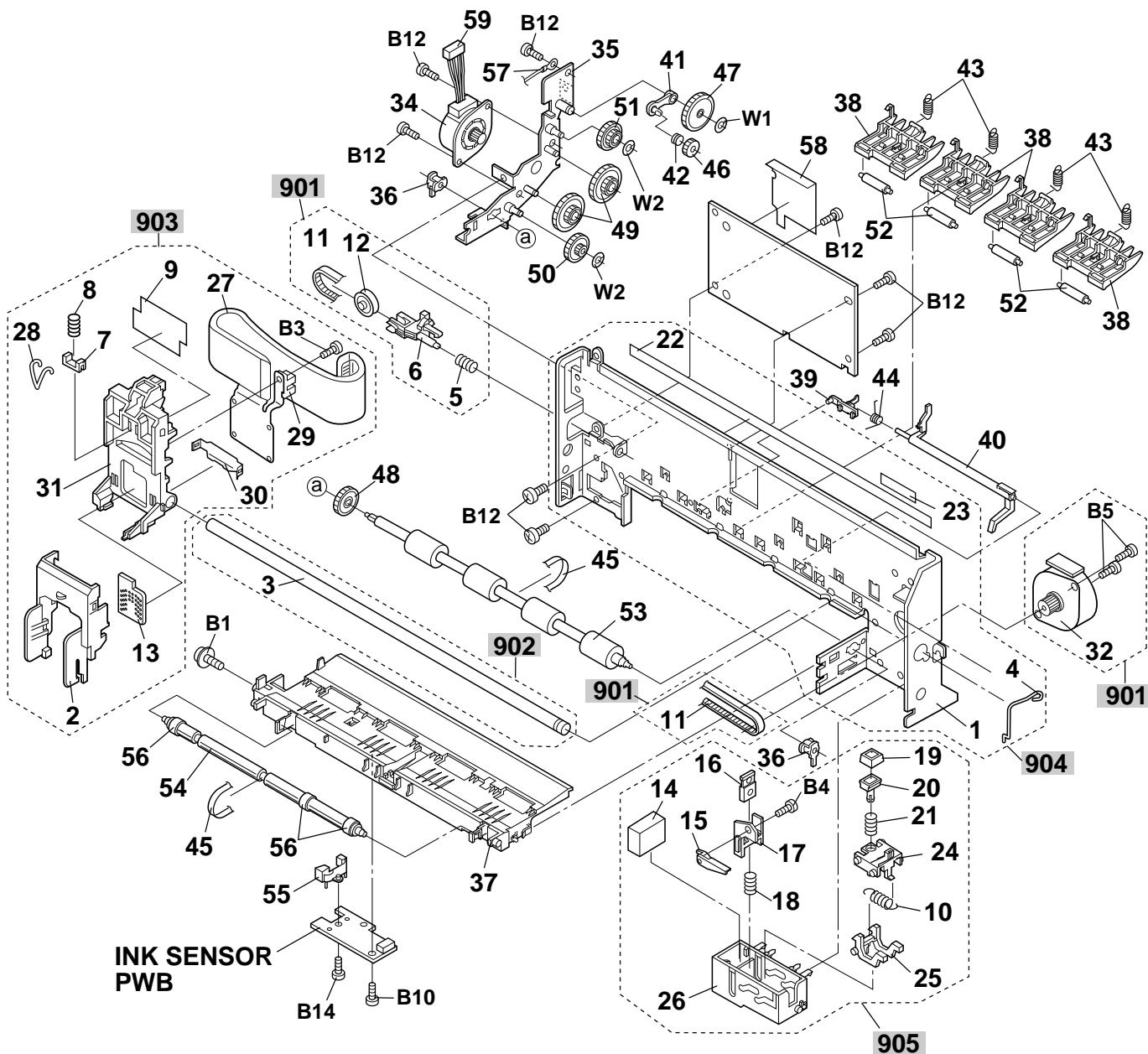
[6] Scanner unit



NO.	PARTS CODE	PRICE RANK	NEW MARK	PART RANK	DESCRIPTION
[6] Scanner unit					
1	LPLTM2919AXZZ	AN	N	C	Sub base plate
2	LPLTP2918AXZZ	AW	N	C	Scanner base
3	LPLTP2920AXZZ	AE	N	C	CIS holder Left
4	LPLTP2921AXZZ	AE	N	C	CIS holder Right
5	CGERH2363AX01	AK		B	Feed gear ass'y
6	MSPRC2969AXZZ	AD	N	C	CIS spring
7	NBRGP2141AXZZ	AC		C	Transfer bearing
8	NGERH2275XHZZ	AC		C	Transfer gear 2
9	NROLR2333XHZZ	AP		C	Feed roller
10	NROLR2365AXZZ	AV		C	Transfer roller
11	QCNW-4855AXZZ	AD	N	C	Ground cable 2
12	QCNW-4776AXZZ	AR	N	C	CIS cable
13	RUNTZ2021SCZZ	BF		B	CIS unit ass'y

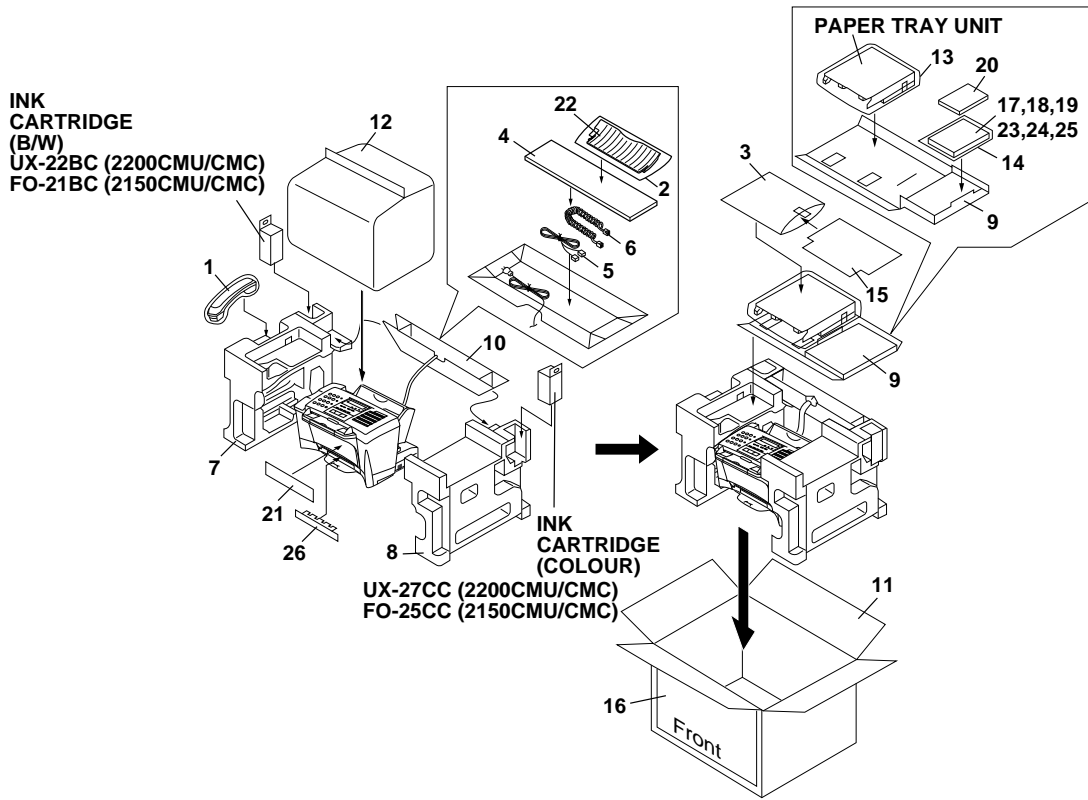


8 Printer unit





9 Packing material & Accessories



NO.	PARTS CODE	PRICE RANK	NEW MARK	PART RANK	DESCRIPTION
<b>[9] Packing material &amp; Accessories</b>					
1	DUNTK307BAXOW	AZ		E	Handset unit [2200CMU/CMC]
	DUNTK307BAXOG	AZ		E	Handset unit [2150CMU/CMC]
2	SSAKA3001CCZZ	AA		D	Polyethylene bag, Document tray
3	SSAKA3340QCZZ	AB		D	Polyethylene bag, Pop card
4	SPAKA393AAXZZ	AC	N	C	Spacer
5	QCNW-3975AXGY	AH		C	Telephone line cord [2200CMU/2150CMU]
	QCNW-3247SCZZ	AH		C	Telephone line cord [2200CMC/2150CMC]
6	QCNW-3976XHOW	AK		C	Handset cord [2200CMU/CMC]
	QCNW-3976XHOG	AT		C	Handset cord [2150CMU/CMC]
7	SPAKA220AAXZZ	AF	N	D	Add., Left
8	SPAKA221AAXZZ	AF	N	D	Add., Right
9	SPAKA222AAXZZ	AG	N	D	PLT-AD1
10	SPAKA223AAXZZ	AF	N	D	PLT-AD2
11	SPAKC225AAXZZ	AV	N	D	Packing case [2200CMU]
	SPAKC249AAXZZ	AL	N	D	Packing case [2150CMU]
	SPAKC324AAXZZ	AL	N	D	Packing case [2200CMC]
	SPAKC367AAXZZ	AL	N	D	Packing case [2150CMC]
12	SPAKP4381AXZZ	AG		D	Vinyl cover
13	SSAKA2008AXZZ	AA	N	D	Vinyl bag
14	SSAKA2344QCZZ	AB		D	Operation manual vinyl bag
15	TCADZ2550AXZZ	AK	N	D	Pop card [2200CMU]
	TCADZ2606AXZZ	AK	N	D	Pop card [2200CMC]
16	TLABM4316AXZZ	AG	N	D	Box label [2200CMU]
	TLABM4537AXZZ	AG	N	D	Box label [2200CMC]
17	TCADZ2588AXZZ	AB	N	D	Quick reference guide [2200CMU/2150CMU]
	TCADZ2603AXZZ	AC	N	D	Quick reference guide [2200CMC/2150CMC]
18	TINSE3773AXZZ	AF	N	D	Operation manual [2200CMU]
	TINSE3796AXZZ	AF	N	D	Operation manual [2150CMU]
	TINSK3853AXZZ	AF	N	D	Operation manual [2200CMC]
	TINSK3865AXZZ	AE	N	D	Operation manual [2150CMC]
19	TLABH4496AXSA	AC	N	D	Rapid key label [2200CMU/CMC]
	TLABH4496AXSC	AC	N	D	Rapid key label [2150CMU/CMC]
20	UDSKA2003SCZZ	AP	N	E	CD-ROM [2200CMU/2150CMU]
	UDSKA2008SCZZ	AQ	N	E	CD-ROM [2200CMC/2150CMC]
21	TLABM4604AXZZ	AE	N	D	Pop label [2200CMC]
22	LPLTP2932AXSA	AK	N	C	Document tray
23	TCADZ2631AXZZ	AC	N	D	Up grade coupon
24	TLABH4238AXZG	AC	N	D	Document set label [2200CMC]
	TLABH4496AXSC	AC	N	D	Document set label [2150CMC]
25	TCADZ2561AXZZ	AF	N	D	Registration card [2200CMU]
26	SPAKA417AAXZZ		N	D	Roller protector

NO.	PARTS CODE	PRICE RANK	NEW MARK	PART RANK	DESCRIPTION
[10] Control PWB unit					
1	UBATL0011FCZZ	AM		B	Lithium battery [BAT]
2	VCEAGA1CW476M	AB		C	Capacitor(16WV 47μF) [C45]
3	VCEAGA1CW476M	AB		C	Capacitor(16WV 47μF) [C46]
4	VCEAGA1HW107M	AA		C	Capacitor(50WV 100μF) [C47]
5	VCEAGA1HW107M	AA		C	Capacitor(50WV 100μF) [C49]
6	VCEAGA1EW226M	AB		C	Capacitor(25WV 22μF) [C51]
7	VCEAGA1HW105M	AB		C	Capacitor(50WV 1μF) [C52]
8	VCEAGA1HW475M	AA		C	Capacitor(50WV 4.7μF) [C53]
9	VCEAGA1CW336M	AA		C	Capacitor(16WV 33μF) [C54]
10	VCEAGA1HW476M	AB		C	Capacitor(50WV 47μF) [C55]
11	VCEAGA1HW336M	AB		C	Capacitor(50WV 33μF) [C57]
12	VCEAGA1HW107M	AA		C	Capacitor(50WV 100μF) [C58]
13	VCKYTV1CF105Z	AB		C	Capacitor(16WV 1μF) [C102]
14	VCKYTQ1HF104Z	AA		C	Capacitor(50WV 0.1μF) [C103]
15	VCKYTV1EF104Z	AA		C	Capacitor(25WV 0.1μF) [C104]
16	VCKYTV1EF104Z	AA		C	Capacitor(25WV 0.1μF) [C105]
17	VCKYTV1CF105Z	AB		C	Capacitor(16WV 1μF) [C107]
18	VCKYTV1EF104Z	AA		C	Capacitor(25WV 0.1μF) [C108]
19	VCCCTV1HH330J	AA		C	Capacitor(50WV 33PF) [C109]
20	VCKYTV1HB103K	AB		C	Capacitor(50WV 0.01μF) [C110]
21	VCKYTV1HB103K	AB		C	Capacitor(50WV 0.01μF) [C111]
22	VCKYTV1EF104Z	AA		C	Capacitor(25WV 0.1μF) [C112]
23	VCKYTV1HB472K	AA		C	Capacitor(50WV 4700PF) [C114]
24	VCKYTV1HB103K	AB		C	Capacitor(50WV 0.01μF) [C115]
25	VCKYTV1HB102K	AA		C	Capacitor(50WV 0.001μF) [C116]
26	VCKYTV1HB102K	AA		C	Capacitor(50WV 0.001μF) [C117]
27	VCKYTV1HB102K	AA		C	Capacitor(50WV 0.001μF) [C118]
28	VCKYTV1HB102K	AA		C	Capacitor(50WV 0.001μF) [C119]
29	VCKYTV1HB102K	AA		C	Capacitor(50WV 0.001μF) [C120]
30	VCKYTV1HB222K	AA		C	Capacitor(50WV 2200PF) [C122]
31	VCKYTV1HB222K	AA		C	Capacitor(50WV 2200PF) [C123]
32	VCKYTV1EF104Z	AA		C	Capacitor(25WV 0.1μF) [C125]
33	VCKYTV1EF104Z	AA		C	Capacitor(25WV 0.1μF) [C130]
34	VCCCTV1HH150J	AA		C	Capacitor(50WV 15PF) [C131]
35	VCCCTV1HH150J	AA		C	Capacitor(50WV 15PF) [C132]
36	VCKYTV1EF104Z	AA		C	Capacitor(25WV 0.1μF) [C135]
37	VCKYTV1EF104Z	AA		C	Capacitor(25WV 0.1μF) [C136]
38	VCKYTV1EF104Z	AA		C	Capacitor(25WV 0.1μF) [C137]
39	VCKYTV1CF105Z	AB		C	Capacitor(16WV 1μF) [C138]
40	VCKYTV1CF105Z	AB		C	Capacitor(16WV 1μF) [C139]
41	VCKYTV1EF104Z	AA		C	Capacitor(25WV 0.1μF) [C140]
42	VCKYTV1HB222K	AA		C	Capacitor(50WV 2200PF) [C141]
43	VCKYTV1EF104Z	AA		C	Capacitor(25WV 0.1μF) [C142]
44	VCKYTV1HB222K	AA		C	Capacitor(50WV 2200PF) [C143]
45	VCCCTV1HH180J	AA		C	Capacitor(50WV 18PF) [C144]
46	VCCCTV1HH180J	AA		C	Capacitor(50WV 18PF) [C145]
47	VCKYTV1HB222K	AA		C	Capacitor(50WV 2200PF) [C146]
48	VCKYTV1EF104Z	AA		C	Capacitor(25WV 0.1μF) [C147]
49	VCKYTV1EF104Z	AA		C	Capacitor(25WV 0.1μF) [C148]
50	VCKYTV1EF104Z	AA		C	Capacitor(25WV 0.1μF) [C149]
51	VCKYTV1EF104Z	AA		C	Capacitor(25WV 0.1μF) [C150]
52	VCKYTV1EF104Z	AA		C	Capacitor(25WV 0.1μF) [C151]
53	VCKYTV1EF104Z	AA		C	Capacitor(25WV 0.1μF) [C152]
54	VCKYTV1EF104Z	AA		C	Capacitor(25WV 0.1μF) [C153]
55	VCKYTV1EF104Z	AA		C	Capacitor(25WV 0.1μF) [C154]
56	VCCCTV1HH100D	AA		C	Capacitor(50WV 10PF) [C155]
57	VCCCTV1HH100D	AA		C	Capacitor(50WV 10PF) [C156]
58	VCKYTV1EF104Z	AA		C	Capacitor(25WV 0.1μF) [C157]
59	VCKYTV1HB222K	AA		C	Capacitor(50WV 2200PF) [C158]
60	VCKYTV1EF104Z	AA		C	Capacitor(25WV 0.1μF) [C159]
61	VCKYTV1HB222K	AA		C	Capacitor(50WV 2200PF) [C160]
62	VCKYTV1HB103K	AB		C	Capacitor(25WV 0.01μF) [C163]
63	VCKYTV1HB103K	AB		C	Capacitor(25WV 0.01μF) [C164]
64	VCCCTV1HH330J	AA		C	Capacitor(50WV 330F) [C165]
65	VCCSTV1HL471J	AC		C	Capacitor(50WV 470PF) [C166]
66	VCKYTV1CF105Z	AB		C	Capacitor(16WV 1μF) [C167]
67	VCKYTV1CF105Z	AB		C	Capacitor(16WV 1μF) [C168]
68	VCCSTV1HL102J	AA		C	Capacitor(50WV 1000PF) [C169]
69	VCCCTV1HH150J	AA		C	Capacitor(50WV 15PF) [C170]
70	VCCCTV1HH150J	AA		C	Capacitor(50WV 15PF) [C171]
71	VCKYTV1EF104Z	AA		C	Capacitor(25WV 0.1μF) [C172]
72	VCKYTV1HB103K	AB		C	Capacitor(25WV 0.01μF) [C173]
73	VCKYTV1HB103K	AB		C	Capacitor(25WV 0.01μF) [C174]
74	VCKYTV1HB102K	AA		C	Capacitor(50WV 1000PF) [C175]
75	VCKYTV1EF104Z	AA		C	Capacitor(25WV 0.1μF) [C176]
76	VCKYTV1EF104Z	AA		C	Capacitor(25WV 0.1μF) [C177]
77	VCKYTV1HB222K	AA		C	Capacitor(50WV 2200PF) [C180]
78	VCKYTV1EF104Z	AA		C	Capacitor(25WV 0.1μF) [C181]
79	VCCSTV1HL102J	AA		C	Capacitor(50WV 1000PF) [C182]
80	VCKYTQ1HF104Z	AA		C	Capacitor(50WV 0.1μF) [C183]

NO.	PARTS CODE	PRICE RANK	NEW MARK	PART RANK	DESCRIPTION	
<b>[10] Control PWB unit</b>						
81	VCCSTV1HL681J	AB		C	Capacitor(50WV 680PF)	[C184]
82	VCKYTV1CF225Z	AD		C	Capacitor(16WV 2.2μF)	[C185]
83	VCKYTV1CF105Z	AB		C	Capacitor(16WV 1μF)	[C186]
84	VCKYTV1EF104Z	AA		C	Capacitor(25WV 0.1μF)	[C187]
85	VCCSTV1HL391J	AA		C	Capacitor(50WV 390PF)	[C188]
86	VCKYTV1CF225Z	AD		C	Capacitor(16WV 2.2μF)	[C189]
87	VCKYTV1EF104Z	AA		C	Capacitor(25WV 0.1μF)	[C190]
88	VCKYTV1EF104Z	AA		C	Capacitor(25WV 0.1μF)	[C191]
89	VCKYTV1HB222K	AA		C	Capacitor(50WV 2200PF)	[C192]
90	VCKYTV1HB222K	AA		C	Capacitor(50WV 2200PF)	[C193]
91	VCKYTV1HB222K	AA		C	Capacitor(50WV 2200PF)	[C194]
92	VCKYTV1HB103K	AB		C	Capacitor(25WV 0.01μF)	[C195]
93	VCKYTV1EF104Z	AA		C	Capacitor(25WV 0.1μF)	[C197]
94	VCKYTV1EF104Z	AA		C	Capacitor(25WV 0.1μF)	[C198]
95	VCKYTV1CF105Z	AB		C	Capacitor(16WV 1μF)	[C199]
96	VCKYTV1CF105Z	AB		C	Capacitor(16WV 1μF)	[C200]
97	VCCSTV1HL331J	AA		C	Capacitor(50WV 330PF)	[C201]
98	VCKYTV1EF104Z	AA		C	Capacitor(25WV 0.1μF)	[C202]
99	VCCCTV1HH100D	AA		C	Capacitor(50WV 10PF)	[C203]
100	VCCCTV1HH100D	AA		C	Capacitor(50WV 10PF)	[C204]
101	VCKYTV1HB222K	AA		C	Capacitor(50WV 2200PF)	[C205]
102	VCKYTV1EF104Z	AA		C	Capacitor(25WV 0.1μF)	[C206]
103	VCKYTV1CF105Z	AB		C	Capacitor(16WV 1μF)	[C207]
104	VCKYTV1EF104Z	AA		C	Capacitor(25WV 0.1μF)	[C208]
105	VCKYTV1EF104Z	AA		C	Capacitor(25WV 0.1μF)	[C209]
106	VCKYTV1EF104Z	AA		C	Capacitor(25WV 0.1μF)	[C210]
107	VCKYTV1EF104Z	AA		C	Capacitor(25WV 0.1μF)	[C211]
108	VCKYTV1HB102K	AA		C	Capacitor(50WV 1000PF)	[C212]
109	VCKYTV1CF105Z	AB		C	Capacitor(16WV 1μF)	[C213]
110	VCKYTV1EF104Z	AA		C	Capacitor(25WV 0.1μF)	[C214]
111	VCKYTV1EF104Z	AA		C	Capacitor(25WV 0.1μF)	[C215]
112	VCKYTV1CF105Z	AB		C	Capacitor(25WV 1μF)	[C216]
113	VCKYTV1EF104Z	AA		C	Capacitor(25WV 0.1μF)	[C217]
114	VCKYTV1EF104Z	AA		C	Capacitor(25WV 0.1μF)	[C218]
115	VCKYTV1CF105Z	AB		C	Capacitor(25WV 1μF)	[C219]
116	VCKYTV1EF104Z	AA		C	Capacitor(25WV 0.1μF)	[C220]
117	VCKYTV1EF104Z	AA		C	Capacitor(25WV 0.1μF)	[C221]
118	VCKYTV1CF105Z	AB		C	Capacitor(25WV 1μF)	[C222]
119	VCCSTV1HL331J	AA		C	Capacitor(50WV 330PF)	[C226]
120	VCKYTV1HB102K	AA		C	Capacitor(50WV 1000PF)	[C228]
121	VCKYTV1HB102K	AA		C	Capacitor(50WV 1000PF)	[C229]
122	VCKYTV1HB102K	AA		C	Capacitor(50WV 1000PF)	[C230]
123	VCKYTV1HB102K	AA		C	Capacitor(50WV 1000PF)	[C231]
124	VCKYTV1HB102K	AA		C	Capacitor(50WV 1000PF)	[C232]
125	VCKYTV1HB102K	AA		C	Capacitor(50WV 1000PF)	[C233]
126	VCKYTV1HB102K	AA		C	Capacitor(50WV 1000PF)	[C234]
127	VCKYTV1HB102K	AA		C	Capacitor(50WV 1000PF)	[C235]
128	VCKYTV1HB102K	AA		C	Capacitor(50WV 1000PF)	[C236]
129	VCKYTV1HB102K	AA		C	Capacitor(50WV 1000PF)	[C237]
130	VCKYTV1HB102K	AA		C	Capacitor(50WV 1000PF)	[C238]
131	VCKYTV1HB102K	AA		C	Capacitor(50WV 1000PF)	[C239]
132	VCKYTV1HB102K	AA		C	Capacitor(50WV 1000PF)	[C240]
133	QCNCM7014SC0G	AB		C	Connector(7pin)	[CNCIS]
134	QCNCM7014SC0E	AB		C	Connector(5pin)	[CNIR]
135	QCNCM2499SC1D	AG		C	Connector(14pin)	[CNLIUA]
136	QCNCM7014SC0F	AB		C	Connector(6pin)	[CNMM]
137	QCNCW0946FCZZ	AH		C	Connector(36pin)	[CNPC]
138	QCNCM2401SC0F	AB		C	Connector(6pin)	[CNPHOT]
139	QCNCM2482SC2J	AE		C	Connector(20pin)	[CNPNI]
140	QCNCM2482SC2H	AG	N	C	Connector(28pin)	[CNPRT]
141	QCNCM2499SC0H	AE		C	Connector(8pin)	[CNPW]
142	QCNCM7014SC0B	AD		C	Connector(2pin)	[CNSP]
143	VHDDA204K/-1	AC		B	Diode(DA204K)	[D101]
144	VHDDA204K/-1	AC		B	Diode(DA204K)	[D102]
145	VHD1SS355/-1	AB		B	Diode(1SS355)	[D103]
146	VHDRB411D/-1	AD		B	Diode(RB411D)	[D104]
147	VHDRB411D/-1	AD		B	Diode(RB411D)	[D105]
148	VHDRB411D/-1	AD		B	Diode(RB411D)	[D110]
149	VHDRB411D/-1	AD		B	Diode(RB411D)	[D111]
150	VHDRB411D/-1	AD		B	Diode(RB411D)	[D116]
151	VHDRB411D/-1	AD		B	Diode(RB411D)	[D117]
152	VHDRB411D/-1	AD		B	Diode(RB411D)	[D118]
153	VHDRB411D/-1	AD		B	Diode(RB411D)	[D119]
154	VHDRB411D/-1	AD		B	Diode(RB411D)	[D121]
155	VHDRB411D/-1	AD		B	Diode(RB411D)	[D122]
156	VHDRB411D/-1	AD		B	Diode(RB411D)	[D123]
157	VHDRB411D/-1	AD		B	Diode(RB411D)	[D124]
158	VHDRB411D/-1	AD		B	Diode(RB411D)	[D125]
159	VHD1SS355/-1	AB		B	Diode(1SS355)	[D126]
160	VHDRB411D/-1	AD		B	Diode(RB411D)	[D127]

NO.	PARTS CODE	PRICE RANK	NEW MARK	PART RANK	DESCRIPTION	
[10] Control PWB unit						
161	VHDRB411D/-1	AD		B	Diode(RB411D)	[D128]
162	VHDRB411D/-1	AD		B	Diode(RB411D)	[D129]
163	VHDRB411D/-1	AD		B	Diode(RB411D)	[D131]
164	VHDRB411D/-1	AD		B	Diode(RB411D)	[D132]
165	VHDRB411D/-1	AD		B	Diode(RB411D)	[D133]
166	VHDRB411D/-1	AD		B	Diode(RB411D)	[D134]
167	VHDRB411D/-1	AD		B	Diode(RB411D)	[D135]
168	VHDRB411D/-1	AD		B	Diode(RB411D)	[D136]
169	VHDDAP202U/-1	AB		B	Diode(DAP202U)	[D137]
170	VHDRB411D/-1	AD		B	Diode(RB411D)	[D139]
171	VHDRB411D/-1	AD		B	Diode(RB411D)	[D140]
172	VHDRB411D/-1	AD		B	Diode(RB411D)	[D141]
173	VHDRB411D/-1	AD		B	Diode(RB411D)	[D147]
174	VHVICPS07/-1	AA		B	Varistor(ICP-S07)	[F1]
175	VHIAD8051/-1	AN	N	B	IC(AD8051)	[IC1]
176	VHIULN2003AN/	AE		B	IC(ULN2003ANS)	[IC2]
177	VHIHECF4066BF	AF		B	IC(HECF4066)	[IC3]
178	VHIMC14053DR2	AG		B	IC(MC14053DR2)	[IC5]
179	VHIHD74LS08-1	AD		B	IC(HD74LS08)	[IC6]
180	VHI74HCU04S-1	AF	N	B	IC(74HCU04)	[IC7]
181	VHILC82103/-1	BA		B	IC(LC82103)	[IC8]
182	VHIHECF4066BF	AF		B	IC(HECF4066)	[IC9]
183	VHILZ9FJ49/-1	AV	N	B	IC(LZ9FJ49)	[IC10]
184	VHI74HCU04S-1	AF	N	B	IC(74HCU04)	[IC11]
185	VHISH7040/-1	BD	N	B	IC(SH7040)	[IC12]
186	VHISN74HC14NSR	AE	N	B	IC(74HC14)	[IC13]
187	VHINJM2902M-1	AF		B	IC(NJM2902M)	[IC14]
188	VHIR144AFXL1	BM		B	IC(R144EFL)	[IC15]
189	RH-IX2129SCZZ	AY		B	IC(IX2129)	[IC16]
190	VHIS2B257SL70	AL		B	IC(S2B257SL70)	[IC17]
191	QSOCZ2051SC32	AC		C	IC socket(32pin)	[IC18]
192	VHI27040FBS0H	AZ		B	IC,EP ROM(4Mbit)	[IC18]
193	QSOCZ2051SC32	AC		C	IC socket(32pin)	[IC19]
194	VHI27040FBS1H	AZ		B	IC,EP ROM(4Mbit)	[IC19]
195	VHISN74LS245N	AR		B	IC(74LS245)	[IC20]
196	VHISN74LS244NR	AG		B	IC(SN74LS244)	[IC21]
197	VHISN74LS244NR	AG		B	IC(SN74LS244)	[IC22]
198	RH-IX2129SCZZ	AY		B	IC(IX2129)	[IC23]
199	VHIS2B257SL70	AL		B	IC(S2B257SL70)	[IC24]
200	VHISN74HC04NSR	AE	N	B	IC(HC04)	[IC25]
201	VHISN74HC164NR	AF	N	B	IC(HC164)	[IC26]
202	VHINJU6355E-1	AM		B	IC(NJU6355M)	[IC27]
203	VHINJM2113M-1	AG		B	IC(NJM2113M)	[IC28]
204	VHIPST596CMT1	AF		B	IC(PST596CNR)	[IC102]
205	VRS-TV2AB680J	AA		C	Resistor(1/10W 68 ±5%)	[L100]
206	VRS-TV2AB680J	AA		C	Resistor(1/10W 68 ±5%)	[L101]
207	VRS-TQ2BB000J	AA		C	Resistor(1/8W 0 ±5%)	[L102]
208	VRS-TQ2BB000J	AA		C	Resistor(1/8W 0 ±5%)	[L103]
209	VRS-TV2AB000J	AA		C	Resistor(1/10W 0 ±5%)	[L104]
210	VRS-TV2AB000J	AA		C	Resistor(1/10W 0 ±5%)	[L105]
211	VRS-TV2AB000J	AA		C	Resistor(1/10W 0 ±5%)	[L106]
212	VSDTA114EK/-1	AB		B	Transistor(DTA114EK)	[Q100]
213	VSDTC114EK/-1	AB		B	Transistor(DTC114EK)	[Q101]
214	VSDTC114EK/-1	AB		B	Transistor(DTC114EK)	[Q102]
215	VSDTC114EK/-1	AB		B	Transistor(DTC114EK)	[Q103]
216	VS2SA1037KR-1	AB		B	Transistor	[Q104]
217	VRD-HT2EY100J	AA		C	Resistor(1/4W 10 ±5%)	[R3]
218	VRS-TV2AB330J	AD		C	Resistor(1/10W 33 ±5%)	[R102]
219	VRS-TV2AB101J	AA		C	Resistor(1/10W 100 ±5%)	[R103]
220	VRS-TV2AB101J	AA		C	Resistor(1/10W 100 ±5%)	[R104]
221	VRS-TV2AB101J	AA		C	Resistor(1/10W 100 ±5%)	[R105]
222	VRS-TV2AB101J	AA		C	Resistor(1/10W 100 ±5%)	[R106]
223	VRS-TV2AB101J	AA		C	Resistor(1/10W 100 ±5%)	[R107]
224	VRS-TV2AB101J	AA		C	Resistor(1/10W 100 ±5%)	[R108]
225	VRS-TV2AB101J	AA		C	Resistor(1/10W 100 ±5%)	[R109]
226	VRS-TV2AB101J	AA		C	Resistor(1/10W 100 ±5%)	[R110]
227	VRS-TV2AB101J	AA		C	Resistor(1/10W 100 ±5%)	[R111]
228	VRS-TV2AB271J	AA		C	Resistor(1/10W 270 ±5%)	[R112]
229	VRS-TV2AB271J	AA		C	Resistor(1/10W 270 ±5%)	[R113]
230	VRS-TV2AB471J	AA		C	Resistor(1/10W 470 ±5%)	[R114]
231	VRS-TV2AB471J	AA		C	Resistor(1/10W 470 ±5%)	[R115]
232	VRS-TV2AB471J	AA		C	Resistor(1/10W 470 ±5%)	[R116]
233	VRS-TV2AB471J	AA		C	Resistor(1/10W 470 ±5%)	[R117]
234	VRS-TV2AB471J	AA		C	Resistor(1/10W 470 ±5%)	[R118]
235	VCKYTV1CF105Z	AB		C	Capacitor(25WV 1µF)	[R119]
236	VCKYTV1CF105Z	AB		C	Capacitor(25WV 1µF)	[R120]
237	VCKYTV1CF105Z	AB		C	Capacitor(25WV 1µF)	[R121]
238	VRS-TV2AB103J	AA		C	Resistor(1/10W 10K ±5%)	[R122]
239	VRS-TV2AB102J	AA		C	Resistor(1/10W 1K ±5%)	[R125]
240	VRS-TV2AB000J	AA		C	Resistor(1/10W 0 ±5%)	[R127]

NO.	PARTS CODE	PRICE RANK	NEW MARK	PART RANK	DESCRIPTION	
[10] Control PWB unit						
241	VRS-TV2AB000J	AA		C	Resistor(1/10W 0 ±5%)	[R130]
242	VRS-TV2AB000J	AA		C	Resistor(1/10W 0 ±5%)	[R131]
243	VRS-TV2AB000J	AA		C	Resistor(1/10W 0 ±5%)	[R132]
244	VRS-TV2AB103J	AA		C	Resistor(1/10W 10K ±5%)	[R135]
245	VRS-TV2AB330J	AD		C	Resistor(1/10W 33 ±5%)	[R136]
246	VRS-TV2AB330J	AD		C	Resistor(1/10W 33 ±5%)	[R137]
247	VRS-TV2AB103J	AA		C	Resistor(1/10W 10K ±5%)	[R138]
248	VRS-TV2AB203J	AA		C	Resistor(1/10W 20K ±5%)	[R139]
249	VRS-TV2AB102J	AA		C	Resistor(1/10W 1K ±5%)	[R140]
250	VRS-TV2AB103J	AA		C	Resistor(1/10W 10K ±5%)	[R141]
251	VRS-TV2AB203J	AA		C	Resistor(1/10W 20K ±5%)	[R142]
252	VRS-TV2AB101J	AA		C	Resistor(1/10W 100 ±5%)	[R145]
253	VRS-TV2AB101J	AA		C	Resistor(1/10W 100 ±5%)	[R147]
254	VRS-TV2AB101J	AA		C	Resistor(1/10W 100 ±5%)	[R149]
255	VRS-TV2AB101J	AA		C	Resistor(1/10W 100 ±5%)	[R151]
256	VRS-TV2AB101J	AA		C	Resistor(1/10W 100 ±5%)	[R153]
257	VRS-TV2AB101J	AA		C	Resistor(1/10W 100 ±5%)	[R155]
258	VRS-TV2AB101J	AA		C	Resistor(1/10W 100 ±5%)	[R157]
259	VRS-TV2AB101J	AA		C	Resistor(1/10W 100 ±5%)	[R159]
260	VRS-TV2AB271J	AA		C	Resistor(1/10W 270 ±5%)	[R160]
261	VRS-TV2AB271J	AA		C	Resistor(1/10W 270 ±5%)	[R161]
262	VRS-TV2AB103J	AA		C	Resistor(1/10W 10K ±5%)	[R162]
263	VRS-TV2AB271J	AA		C	Resistor(1/10W 270 ±5%)	[R165]
264	VRS-TV2AB302J	AA		C	Resistor(1/10W 3K ±5%)	[R166]
265	VRS-TV2AB271J	AA		C	Resistor(1/10W 270 ±5%)	[R167]
266	VRS-TV2AB271J	AA		C	Resistor(1/10W 270 ±5%)	[R169]
267	VRS-TV2AB271J	AA		C	Resistor(1/10W 270 ±5%)	[R170]
268	VRS-TV2AB000J	AA		C	Resistor(1/10W 0 ±5%)	[R171]
269	VRS-TV2AB271J	AA		C	Resistor(1/10W 270 ±5%)	[R172]
270	VRS-TV2AB302J	AA		C	Resistor(1/10W 3K ±5%)	[R173]
271	VRS-TV2AB302J	AA		C	Resistor(1/10W 3K ±5%)	[R174]
272	VRS-TV2AB000J	AA		C	Resistor(1/10W 0 ±5%)	[R179]
273	VRS-TV2AB000J	AA		C	Resistor(1/10W 0 ±5%)	[R184]
274	VRS-TV2AB000J	AA		C	Resistor(1/10W 0 ±5%)	[R191]
275	VRS-TV2AB000J	AA		C	Resistor(1/10W 0 ±5%)	[R192]
276	VRS-TV2AB203J	AA		C	Resistor(1/10W 20K ±5%)	[R193]
277	VRS-TV2AB102J	AA		C	Resistor(1/10W 1K ±5%)	[R194]
278	VRS-TV2AB102J	AA		C	Resistor(1/10W 1K ±5%)	[R195]
279	VRS-TV2AB103J	AA		C	Resistor(1/10W 10K ±5%)	[R204]
280	VRS-TV2AB103J	AA		C	Resistor(1/10W 10K ±5%)	[R205]
281	VRS-TV2AB103J	AA		C	Resistor(1/10W 10K ±5%)	[R206]
282	VRS-TV2AB103J	AA		C	Resistor(1/10W 10K ±5%)	[R207]
283	VRS-TV2AB103J	AA		C	Resistor(1/10W 10K ±5%)	[R208]
284	VRS-TV2AB101J	AA		C	Resistor(1/10W 100 ±5%)	[R209]
285	VRS-TV2AB201J	AA		C	Resistor(1/10W 200 ±5%)	[R210]
286	VRS-TV2AB105J	AA		C	Resistor(1/10W 1.0M ±5%)	[R211]
287	VRS-TV2AB101J	AA		C	Resistor(1/10W 100 ±5%)	[R212]
288	VRS-TV2AB102J	AA		C	Resistor(1/10W 1K ±5%)	[R213]
289	VRS-TV2AB101J	AA		C	Resistor(1/10W 100 ±5%)	[R214]
290	VRS-TV2AB271J	AA		C	Resistor(1/10W 270 ±5%)	[R215]
291	VRS-TV2AB103J	AA		C	Resistor(1/10W 10K ±5%)	[R216]
292	VRS-TV2AB000J	AA		C	Resistor(1/10W 0 ±5%)	[R217]
293	VRS-TV2AB562J	AA		C	Resistor(1/10W 5.6K ±5%)	[R218]
294	VRS-TV2AB333J	AD		C	Resistor(1/10W 33K ±5%)	[R219]
295	VRS-TV2AB183J	AD		C	Resistor(1/10W 18K ±5%)	[R220]
296	VRS-TV2AB302J	AA		C	Resistor(1/10W 3K ±5%)	[R221]
297	VRS-TV2AB103J	AA		C	Resistor(1/10W 10K ±5%)	[R222]
298	VRS-TV2AB623J	AA		C	Resistor(1/10W 62K ±5%)	[R223]
299	VRS-TV2AB000J	AA		C	Resistor(1/10W 0 ±5%)	[R225]
300	VRS-TV2AB302J	AA		C	Resistor(1/10W 3K ±5%)	[R226]
301	VRS-TV2AB103J	AA		C	Resistor(1/10W 10K ±5%)	[R227]
302	VRS-TV2AB103J	AA		C	Resistor(1/10W 10K ±5%)	[R228]
303	VRS-TV2AB101J	AA		C	Resistor(1/10W 100 ±5%)	[R229]
304	VRS-TV2AB103J	AA		C	Resistor(1/10W 10K ±5%)	[R230]
305	VRS-TV2AB103J	AA		C	Resistor(1/10W 10K ±5%)	[R232]
306	VRS-TV2AB103J	AA		C	Resistor(1/10W 10K ±5%)	[R233]
307	VRS-TV2AB103J	AA		C	Resistor(1/10W 10K ±5%)	[R234]
308	VRS-TV2AB103J	AA		C	Resistor(1/10W 10K ±5%)	[R235]
309	RCILZ2133SCZZ	AC		C	Coil,Inductor	[R236]
310	RCILZ2133SCZZ	AC		C	Coil,Inductor	[R237]
311	VRS-TV2AB101J	AA		C	Resistor(1/10W 100 ±5%)	[R238]
312	VRS-TV2AB101J	AA		C	Resistor(1/10W 100 ±5%)	[R239]
313	VRS-TV2AB471J	AA		C	Resistor(1/10W 470 ±5%)	[R240]
314	VRS-TV2AB101J	AA		C	Resistor(1/10W 100 ±5%)	[R241]
315	VRS-TV2AB000J	AA		C	Resistor(1/10W 0 ±5%)	[R242]
316	VRS-TV2AB332J	AA		C	Resistor(1/10W 3.3K ±5%)	[R244]
317	VRS-TV2AB000J	AA		C	Resistor(1/10W 0 ±5%)	[R245]
318	VRS-TV2AB103J	AA		C	Resistor(1/10W 10K ±5%)	[R247]
319	VRS-TV2AB302J	AA		C	Resistor(1/10W 3K ±5%)	[R248]
320	VRS-TV2AB103J	AA		C	Resistor(1/10W 10K ±5%)	[R249]

NO.	PARTS CODE	PRICE RANK	NEW MARK	PART RANK	DESCRIPTION	
[10] Control PWB unit						
321	VRS-TV2AB103J	AA		C	Resistor(1/10W 10K ±5%)	[R250]
322	VRS-TV2AB103J	AA		C	Resistor(1/10W 10K ±5%)	[R251]
323	VRS-TV2AB103J	AA		C	Resistor(1/10W 10K ±5%)	[R252]
324	VRS-TV2AB333J	AD		C	Resistor(1/10W 33K ±5%)	[R261]
325	VRS-TV2AB333J	AD		C	Resistor(1/10W 33K ±5%)	[R262]
326	VRS-TV2AB103J	AA		C	Resistor(1/10W 10K ±5%)	[R263]
327	VRS-TV2AB000J	AA		C	Resistor(1/10W 0 ±5%)	[R264]
328	VRSTS2AD8662F	AA		C	Resistor(1/10W 86.6K ±1%)	[R265]
329	VRS-TV2AB302J	AA		C	Resistor(1/10W 3K ±5%)	[R266]
330	VRS-TV2AB105J	AA		C	Resistor(1/10W 1.0M ±5%)	[R267]
331	VRS-TV2AB102J	AA		C	Resistor(1/10W 1K ±5%)	[R268]
332	VRS-TV2AB103J	AA		C	Resistor(1/10W 10K ±5%)	[R271]
333	VRS-TV2AB103J	AA		C	Resistor(1/10W 10K ±5%)	[R272]
334	VRS-TV2AB103J	AA		C	Resistor(1/10W 10K ±5%)	[R273]
335	VRS-TV2AB000J	AA		C	Resistor(1/10W 0 ±5%)	[R274]
336	VRS-TV2AB000J	AA		C	Resistor(1/10W 0 ±5%)	[R275]
337	VRS-TV2AB103J	AA		C	Resistor(1/10W 10K ±5%)	[R276]
338	VRS-TV2AB103J	AA		C	Resistor(1/10W 10K ±5%)	[R277]
339	VRS-TV2AB101J	AA		C	Resistor(1/10W 100 ±5%)	[R278]
340	VRS-TV2AB333J	AD		C	Resistor(1/10W 33K ±5%)	[R279]
341	VRS-TV2AB103J	AA		C	Resistor(1/10W 10K ±5%)	[R280]
342	VRS-TV2AB000J	AA		C	Resistor(1/10W 0 ±5%)	[R282]
343	VRS-TV2AB000J	AA		C	Resistor(1/10W 0 ±5%)	[R284]
344	VRS-TV2AB103J	AA		C	Resistor(1/10W 10K ±5%)	[R286]
345	VRS-TV2AB103J	AA		C	Resistor(1/10W 10K ±5%)	[R287]
346	VRS-TV2AB471J	AA		C	Resistor(1/10W 470 ±5%)	[R288]
347	VRS-TV2AB103J	AA		C	Resistor(1/10W 10K ±5%)	[R289]
348	VRS-TV2AB271J	AA		C	Resistor(1/10W 270 ±5%)	[R290]
349	VRS-TV2AB103J	AA		C	Resistor(1/10W 10K ±5%)	[R291]
350	VRS-TV2AB333J	AD		C	Resistor(1/10W 33K ±5%)	[R292]
351	VRS-TV2AB471J	AA		C	Resistor(1/10W 470 ±5%)	[R293]
352	VRS-TV2AB103J	AA		C	Resistor(1/10W 10K ±5%)	[R294]
353	VRS-TV2AB102J	AA		C	Resistor(1/10W 1K ±5%)	[R295]
354	VRS-TV2AB103J	AA		C	Resistor(1/10W 10K ±5%)	[R296]
355	VRS-TV2AB472J	AA		C	Resistor(1/10W 4.7K ±5%)	[R297]
356	VRS-TQ2BB000J	AA		C	Resistor(1/8W 0 ±5%)	[R299]
357	VRS-TV2AB271J	AA		C	Resistor(1/10W 270 ±5%)	[R300]
358	VRS-TV2AB152J	AB		C	Resistor(1/10W 1.5K ±5%)	[R301]
359	VRS-TV2AB473J	AA		C	Resistor(1/10W 47K ±5%)	[R302]
360	VRS-TV2AB133J	AA		C	Resistor(1/10W 13K ±5%)	[R303]
361	VRSTS2AD8662F	AA		C	Resistor(1/10W 86.6K ±1%)	[R304]
362	VRS-TV2AB103J	AA		C	Resistor(1/10W 10K ±5%)	[R305]
363	VRS-TV2AB332J	AA		C	Resistor(1/10W 3.3K ±5%)	[R306]
364	VRSTS2AD4752F	AA		C	Resistor(1/10W 47.5K ±1%)	[R308]
365	VRS-TV2AB103J	AA		C	Resistor(1/10W 10K ±5%)	[R309]
366	VRS-TV2AB472J	AA		C	Resistor(1/10W 4.7K ±5%)	[R310]
367	VRS-TQ2BB200J	AA		C	Resistor(1/8W 20 ±5%)	[R311]
368	VRS-TV2AB100J	AD		C	Resistor(1/10W 10 ±5%)	[R313]
369	VRS-TV2AB470J	AA		C	Resistor(1/10W 47 ±5%)	[R314]
370	VRS-TV2AB470J	AA		C	Resistor(1/10W 47 ±5%)	[R315]
371	VRS-TV2AB100J	AD		C	Resistor(1/10W 10 ±5%)	[R316]
372	VRS-TV2AB103J	AA		C	Resistor(1/10W 10K ±5%)	[R317]
373	VRS-TV2AB103J	AA		C	Resistor(1/10W 10K ±5%)	[R319]
374	VRS-TV2AB103J	AA		C	Resistor(1/10W 10K ±5%)	[R320]
375	VRS-TV2AB103J	AA		C	Resistor(1/10W 10K ±5%)	[R321]
376	VRS-TV2AB000J	AA		C	Resistor(1/10W 0 ±5%)	[R322]
377	VRS-TV2AB103J	AA		C	Resistor(1/10W 10K ±5%)	[R324]
378	VRS-TV2AB103J	AA		C	Resistor(1/10W 10K ±5%)	[R325]
379	VRS-TV2AB103J	AA		C	Resistor(1/10W 10K ±5%)	[R326]
380	VRS-TV2AB101J	AA		C	Resistor(1/10W 100 ±5%)	[R327]
381	VRS-TV2AB103J	AA		C	Resistor(1/10W 10K ±5%)	[R330]
382	VRS-TV2AB103J	AA		C	Resistor(1/10W 10K ±5%)	[R331]
383	VRS-TV2AB103J	AA		C	Resistor(1/10W 10K ±5%)	[R332]
384	VRS-TV2AB101J	AA		C	Resistor(1/10W 100 ±5%)	[R333]
385	VRS-TV2AB103J	AA		C	Resistor(1/10W 10K ±5%)	[R334]
386	VRS-TV2AB101J	AA		C	Resistor(1/10W 100 ±5%)	[R335]
387	VRS-TV2AB000J	AA		C	Resistor(1/10W 0 ±5%)	[R336]
388	VRS-TV2AB000J	AA		C	Resistor(1/10W 0 ±5%)	[R337]
389	VRS-TV2AB000J	AA		C	Resistor(1/10W 0 ±5%)	[R338]
390	VRS-TV2AB103J	AA		C	Resistor(1/10W 10K ±5%)	[R339]
391	VRS-TV2AB103J	AA		C	Resistor(1/10W 10K ±5%)	[R340]
392	VRS-TV2AB103J	AA		C	Resistor(1/10W 10K ±5%)	[R341]
393	VRS-TV2AB103J	AA		C	Resistor(1/10W 10K ±5%)	[R342]
394	VRS-TV2AB103J	AA		C	Resistor(1/10W 10K ±5%)	[R343]
395	VRS-TV2AB103J	AA		C	Resistor(1/10W 10K ±5%)	[R344]
396	VRS-TV2AB102J	AA		C	Resistor(1/10W 1K ±5%)	[R345]
397	VRS-TV2AB103J	AA		C	Resistor(1/10W 10K ±5%)	[R346]
398	VRS-TV2AB471J	AA		C	Resistor(1/10W 470 ±5%)	[R347]
399	VRS-TV2AB103J	AA		C	Resistor(1/10W 10K ±5%)	[R348]
400	VRS-TV2AB102J	AA		C	Resistor(1/10W 1K ±5%)	[R349]

NO.	PARTS CODE	PRICE RANK	NEW MARK	PART RANK	DESCRIPTION	
[10] Control PWB unit						
401	VRS-TV2AB271J	AA		C	Resistor(1/10W 270 ±5%)	[R350]
402	VRS-TV2AB271J	AA		C	Resistor(1/10W 270 ±5%)	[R351]
403	VRS-TV2AB000J	AA		C	Resistor(1/10W 0 ±5%)	[R354]
404	VRS-TV2AB000J	AA		C	Resistor(1/10W 0 ±5%)	[R355]
405	VRS-TV2AB000J	AA		C	Resistor(1/10W 0 ±5%)	[R356]
406	VRS-TV2AB000J	AA		C	Resistor(1/10W 0 ±5%)	[R357]
407	VRS-TV2AB333J	AD		C	Resistor(1/10W 33K ±5%)	[R359]
408	VRSTS2AD1742F	AA		C	Resistor(1/10W 17.4K ±1%)	[R360]
409	VRS-TV2AB100J	AD		C	Resistor(1/10W 10 ±5%)	[R361]
410	VRS-TV2AB100J	AD		C	Resistor(1/10W 10 ±5%)	[R362]
411	VRS-TV2AB100J	AD		C	Resistor(1/10W 10 ±5%)	[R363]
412	VRS-TV2AB100J	AD		C	Resistor(1/10W 10 ±5%)	[R364]
413	VRS-TV2AB100J	AD		C	Resistor(1/10W 10 ±5%)	[R365]
414	VRS-TV2AB103J	AA		C	Resistor(1/10W 10K ±5%)	[R366]
415	VRS-TV2AB103J	AA		C	Resistor(1/10W 10K ±5%)	[R367]
416	VRS-TV2AB103J	AA		C	Resistor(1/10W 10K ±5%)	[R368]
417	VRS-TV2AB154J	AB		C	Resistor(1/10W 150K ±5%)	[R369]
418	VRS-TV2AB104J	AA		C	Resistor(1/10W 100K ±5%)	[R370]
419	VRS-TV2AB103J	AA		C	Resistor(1/10W 10K ±5%)	[R371]
420	VRS-TV2AB102J	AA		C	Resistor(1/10W 1K ±5%)	[R373]
421	VRS-TV2AB102J	AA		C	Resistor(1/10W 1K ±5%)	[R374]
422	VRS-TV2AB000J	AA		C	Resistor(1/10W 0 ±5%)	[R376]
423	VRS-TV2AB271J	AA		C	Resistor(1/10W 270 ±5%)	[R377]
424	VRS-TV2AB271J	AA		C	Resistor(1/10W 270 ±5%)	[R378]
425	VRS-TV2AB103J	AA		C	Resistor(1/10W 10K ±5%)	[R379]
426	VRS-TV2AB471J	AA		C	Resistor(1/10W 470 ±5%)	[R380]
427	VRS-TV2AB100J	AD		C	Resistor(1/10W 10 ±5%)	[R381]
428	VRS-TV2AB100J	AD		C	Resistor(1/10W 10 ±5%)	[R383]
429	VRS-TV2AB100J	AD		C	Resistor(1/10W 10 ±5%)	[R385]
430	VRS-TV2AB100J	AD		C	Resistor(1/10W 10 ±5%)	[R387]
431	VRS-TV2AB681J	AA		C	Resistor(1/10W 680 ±5%)	[R390]
432	VRS-TV2AB473J	AA		C	Resistor(1/10W 47K ±5%)	[R391]
433	VRS-TV2AB103J	AA		C	Resistor(1/10W 10K ±5%)	[R392]
434	VRS-TV2AB271J	AA		C	Resistor(1/10W 270 ±5%)	[R393]
435	VRS-TV2AB271J	AA		C	Resistor(1/10W 270 ±5%)	[R394]
436	VRS-TV2AB330J	AD		C	Resistor(1/10W 33 ±5%)	[R395]
437	VRS-TV2AB330J	AD		C	Resistor(1/10W 33 ±5%)	[R396]
438	VRS-TV2AB101J	AA		C	Resistor(1/10W 100 ±5%)	[R397]
439	VRS-TV2AB330J	AD		C	Resistor(1/10W 33 ±5%)	[R398]
440	VRS-TV2AB330J	AD		C	Resistor(1/10W 33 ±5%)	[R399]
441	VRS-TV2AB330J	AD		C	Resistor(1/10W 33 ±5%)	[R400]
442	VRS-TV2AB330J	AD		C	Resistor(1/10W 33 ±5%)	[R401]
443	VRS-TV2AB330J	AD		C	Resistor(1/10W 33 ±5%)	[R402]
444	VRS-TV2AB330J	AD		C	Resistor(1/10W 33 ±5%)	[R403]
445	VRS-TV2AB330J	AD		C	Resistor(1/10W 33 ±5%)	[R404]
446	VRS-TV2AB330J	AD		C	Resistor(1/10W 33 ±5%)	[R405]
447	VRS-TV2AB330J	AD		C	Resistor(1/10W 33 ±5%)	[R406]
448	VRS-TV2AB330J	AD		C	Resistor(1/10W 33 ±5%)	[R407]
449	VRS-TV2AB000J	AA		C	Resistor(1/10W 0 ±5%)	[R409]
450	VRS-TV2AB471J	AA		C	Resistor(1/10W 470 ±5%)	[R410]
451	VRS-TV2AB100J	AD		C	Resistor(1/10W 10 ±5%)	[R411]
452	VRS-TV2AB100J	AD		C	Resistor(1/10W 10 ±5%)	[R412]
453	VRS-TV2AB100J	AD		C	Resistor(1/10W 10 ±5%)	[R413]
454	VRS-TV2AB100J	AD		C	Resistor(1/10W 10 ±5%)	[R414]
455	VRS-TV2AB100J	AD		C	Resistor(1/10W 10 ±5%)	[R415]
456	VRS-TV2AB100J	AD		C	Resistor(1/10W 10 ±5%)	[R416]
457	VRS-TV2AB100J	AD		C	Resistor(1/10W 10 ±5%)	[R417]
458	VRS-TV2AB100J	AD		C	Resistor(1/10W 10 ±5%)	[R418]
459	VRS-TV2AB103J	AA		C	Resistor(1/10W 10K ±5%)	[R419]
460	VRS-TV2AB100J	AD		C	Resistor(1/10W 10 ±5%)	[R420]
461	VRS-TV2AB100J	AD		C	Resistor(1/10W 10 ±5%)	[R421]
462	VRS-TV2AB330J	AD		C	Resistor(1/10W 33 ±5%)	[R422]
463	VRS-TV2AB330J	AD		C	Resistor(1/10W 33 ±5%)	[R423]
464	VRS-TV2AB330J	AD		C	Resistor(1/10W 33 ±5%)	[R424]
465	VRS-TV2AB330J	AD		C	Resistor(1/10W 33 ±5%)	[R425]
466	VRS-TV2AB470J	AA		C	Resistor(1/10W 47 ±5%)	[R426]
467	VRS-TV2AB470J	AA		C	Resistor(1/10W 47 ±5%)	[R427]
468	VRS-TV2AB470J	AA		C	Resistor(1/10W 47 ±5%)	[R428]
469	VRS-TV2AB470J	AA		C	Resistor(1/10W 47 ±5%)	[R429]
470	VRS-TV2AB470J	AA		C	Resistor(1/10W 47 ±5%)	[R430]
471	VRS-TV2AB470J	AA		C	Resistor(1/10W 47 ±5%)	[R431]
472	VRS-TV2AB470J	AA		C	Resistor(1/10W 47 ±5%)	[R432]
473	VRS-TV2AB470J	AA		C	Resistor(1/10W 47 ±5%)	[R433]
474	VRS-TV2AB470J	AA		C	Resistor(1/10W 47 ±5%)	[R434]
475	VRS-TV2AB470J	AA		C	Resistor(1/10W 47 ±5%)	[R435]
476	VRS-TV2AB470J	AA		C	Resistor(1/10W 47 ±5%)	[R436]
477	VRS-TV2AB470J	AA		C	Resistor(1/10W 47 ±5%)	[R437]
478	VRS-TV2AB470J	AA		C	Resistor(1/10W 47 ±5%)	[R438]
479	VRS-TV2AB470J	AA		C	Resistor(1/10W 47 ±5%)	[R439]
480	VRS-TV2AB470J	AA		C	Resistor(1/10W 47 ±5%)	[R440]

NO.	PARTS CODE	PRICE RANK	NEW MARK	PART RANK	DESCRIPTION	
[10] Control PWB unit						
481	VRS-TV2AB470J	AA		C	Resistor(1/10W 47 ±5%)	[R441]
482	VRS-TV2AB470J	AA		C	Resistor(1/10W 47 ±5%)	[R442]
483	VRS-TV2AB562J	AA		C	Resistor(1/10W 5.6K ±5%)	[R443]
484	VRS-TV2AB330J	AD		C	Resistor(1/10W 33 ±5%)	[R444]
485	VRS-TV2AB330J	AD		C	Resistor(1/10W 33 ±5%)	[R445]
486	VRS-TV2AB330J	AD		C	Resistor(1/10W 33 ±5%)	[R446]
487	VRS-TV2AB330J	AD		C	Resistor(1/10W 33 ±5%)	[R447]
488	VRS-TV2AB330J	AD		C	Resistor(1/10W 33 ±5%)	[R448]
489	VRS-TV2AB330J	AD		C	Resistor(1/10W 33 ±5%)	[R449]
490	VRS-TV2AB330J	AD		C	Resistor(1/10W 33 ±5%)	[R450]
491	VRS-TV2AB330J	AD		C	Resistor(1/10W 33 ±5%)	[R451]
492	VRS-TV2AB101J	AA		C	Resistor(1/10W 100 ±5%)	[R452]
493	VRS-TV2AB101J	AA		C	Resistor(1/10W 100 ±5%)	[R453]
494	VRS-TQ2BB000J	AA		C	Resistor(1/8W 0 ±5%)	[R454]
495	VRS-TV2AB122J	AA		C	Resistor(1/10W 1.2K ±5%)	[R455]
496	VRS-TV2AB122J	AA		C	Resistor(1/10W 1.2K ±5%)	[R456]
497	VRS-TV2AB122J	AA		C	Resistor(1/10W 1.2K ±5%)	[R457]
498	VRS-TV2AB122J	AA		C	Resistor(1/10W 1.2K ±5%)	[R458]
499	VRS-TV2AB122J	AA		C	Resistor(1/10W 1.2K ±5%)	[R459]
500	VRS-TV2AB122J	AA		C	Resistor(1/10W 1.2K ±5%)	[R460]
501	VRS-TV2AB122J	AA		C	Resistor(1/10W 1.2K ±5%)	[R461]
502	VRS-TV2AB122J	AA		C	Resistor(1/10W 1.2K ±5%)	[R462]
503	VRS-TV2AB122J	AA		C	Resistor(1/10W 1.2K ±5%)	[R463]
504	VRS-TV2AB122J	AA		C	Resistor(1/10W 1.2K ±5%)	[R464]
505	VRS-TV2AB122J	AA		C	Resistor(1/10W 1.2K ±5%)	[R465]
506	VRS-TV2AB122J	AA		C	Resistor(1/10W 1.2K ±5%)	[R466]
507	VRS-TV2AB122J	AA		C	Resistor(1/10W 1.2K ±5%)	[R467]
508	VRS-TV2AB122J	AA		C	Resistor(1/10W 1.2K ±5%)	[R468]
509	VRS-TV2AB122J	AA		C	Resistor(1/10W 1.2K ±5%)	[R469]
510	VRS-TV2AB122J	AA		C	Resistor(1/10W 1.2K ±5%)	[R470]
511	VRS-TV2AB122J	AA		C	Resistor(1/10W 1.2K ±5%)	[R471]
512	VRS-TV2AB122J	AA		C	Resistor(1/10W 1.2K ±5%)	[R472]
513	VRS-TQ2BB561J	AA		C	Resistor(1/8W 560 ±5%)	[R474]
514	VRS-TV2AB330J	AD		C	Resistor(1/10W 33 ±5%)	[R475]
515	VRS-TV2AB330J	AD		C	Resistor(1/10W 33 ±5%)	[R476]
516	VRS-TV2AB330J	AD		C	Resistor(1/10W 33 ±5%)	[R477]
517	VRS-TV2AB330J	AD		C	Resistor(1/10W 33 ±5%)	[R478]
518	VRS-TV2AB101J	AA		C	Resistor(1/10W 100 ±5%)	[R479]
519	VRS-TV2AB101J	AA		C	Resistor(1/10W 100 ±5%)	[R480]
520	VRS-TQ2BB000J	AA		C	Resistor(1/8W 0 ±5%)	[R481]
521	VRS-TV2AB390J	AB		C	Resistor(1/10W 39 ±5%)	[R482]
522	VRS-TV2AB103J	AA		C	Resistor(1/10W 10K ±5%)	[R483]
523	VRS-TV2AB103J	AA		C	Resistor(1/10W 10K ±5%)	[R484]
524	VRS-TV2AB103J	AA		C	Resistor(1/10W 10K ±5%)	[R485]
525	VRS-TV2AB103J	AA		C	Resistor(1/10W 10K ±5%)	[R486]
526	VRS-TV2AB103J	AA		C	Resistor(1/10W 10K ±5%)	[R487]
527	VRS-TV2AB000J	AA		C	Resistor(1/10W 0 ±5%)	[R489]
528	VRS-TV2AB101J	AA		C	Resistor(1/10W 100 ±5%)	[R490]
529	VRS-TQ2BB222J	AA		C	Resistor(1/8W 2.2K ±5%)	[R492]
530	VRS-TV2AB000J	AA		C	Resistor(1/10W 0 ±5%)	[R494]
531	RCRSQ2125AXZZ	AL	N	B	Crystal(20MHZ)	[X1]
532	RCRSQ2123AXZZ	AL	N	B	Crystal(6.912MHZ)	[X2]
533	RCRSB0297AFZZ	AD		B	Crystal(32.768KHz)	[X3]
534	RCRSQ2124AXZZ	AL	N	B	Crystal(16MHZ)	[X4]
535	RCRSQ2109SCZZ	AL		B	Crystal(38.00053MHz)	[X5]
536	VHERD22FB3/-1	AC		B	Zener diode(RD22FB3)	[ZD1]
537	TLABN1235CCZZ	AA		D	EPROM label	
	(Unit)					
901	DCEKC781JAXZZ	CM	N	E	Control PWB unit	[2200CMU/CMC]
	DCEKC887JAXZZ	CM	N	E	Control PWB unit	[2150CMU/CMC]

[11] TEL-Liu PWB unit						
1	VHVRA391PV6-1	AE		B	Varistor(RA-391P-V6-2)	[AR1]
2	QCNW-4806AXZZ	AD	N	C	ARG cable	[ARG]
3	RC-FZ3024SCZZ	AG		C	Capacitor(250WV 0.82µF)	[C1]
4	VCKYPU1HB103K	AA		C	Capacitor(50WV 0.01µF)	[C2]
5	VCKYPU1HB102K	AA		C	Capacitor(50WV 1000PF)	[C3]
6	VCKYPU1HB102K	AA		C	Capacitor(50WV 1000PF)	[C4]
7	VCEAGA1HW475M	AA		C	Capacitor(50WV 4.7µF)	[C5]
8	VCKYPU1HB222K	AA		C	Capacitor(50WV 2200PF)	[C7]
9	VCQYNA1HM333K	AA		C	Capacitor(50WV 0.033µF)	[C8]
10	VCEAGA1HW475M	AA		C	Capacitor(50WV 4.7µF)	[C9]
11	VCKYPU1HB222K	AA		C	Capacitor(50WV 2200PF)	[C10]
12	VCEAGA1HW475M	AA		C	Capacitor(50WV 4.7µF)	[C11]
13	VCEAGA1HW225M	AA		C	Capacitor(50WV 2.2µF)	[C12]
14	VCKYPU1HB221K	AB		C	Capacitor(50WV 220PF)	[C13]

NO.	PARTS CODE	PRICE RANK	NEW MARK	PART RANK	DESCRIPTION	
<b>[11] TEL-Liu PWB unit</b>						
15	VCKYPU1HB102K	AA		C	Capacitor(50WV 1000PF)	[C14]
16	VCKYPU1HB102K	AA		C	Capacitor(50WV 1000PF)	[C15]
17	VCEAGA1HW226M	AB		C	Capacitor(50WV 22μF)	[C16]
18	VCKYPU1HB332K	AA		C	Capacitor(50WV 3300PF)	[C17]
19	VCKYPU1HF223Z	AA		C	Capacitor(50WV 0.022μF)	[C18]
20	VCEAGA1HW475M	AA		C	Capacitor(50WV 4.7μF)	[C19]
21	VCKYPU1HB222K	AA		C	Capacitor(50WV 2200PF)	[C20]
22	RRLYD3221SCZZ	AN		B	Relay(OUAZ-SH-124D)	[CML]
23	QCNCW2500SC1D	AG		C	Connector(14Pin)	[CNLIU]
24	VHD1SS133//-1	AA		B	Diode(1SS133)	[D1]
25	VHD1SS133//-1	AA		B	Diode(1SS133)	[D2]
26	VHD1SS133//-1	AA		B	Diode(1SS133)	[D3]
27	VHD1SS133//-1	AA		B	Diode(1SS133)	[D4]
28	VHINJM2904D-1	AG		B	IC(NJM2904D)	[IC1]
29	RFILN2011SCZZ	AC		C	Coil(SBT-0260)	[L1]
30	RFILN2011SCZZ	AC		C	Coil(SBT-0260)	[L2]
31	RFILN2011SCZZ	AC		C	Coil(SBT-0260)	[L3]
32	RFILN2011SCZZ	AC		C	Coil(SBT-0260)	[L4]
33	VRD-HT2EY000J	AA		C	Resistor(1/4W 0 ±5%)	[L5]
34	VRD-HT2EY000J	AA		C	Resistor(1/4W 0 ±5%)	[L6]
35	VRD-HT2EY000J	AA		C	Resistor(1/4W 0 ±5%)	[L7]
36	QJAKZ2046SCBB	AH		C	Line-jack(2pin)	[MJ1-2]
37	QJAKZ2065SC0D	AG		C	Tell-jack(40-218A0-04BKA)	[MJTEL]
38	VHPPC817X7/-1	AD		B	Photo coupler(PC817X7)	[PC1]
39	VHPPC814X/-1	AE		B	Photo transistor(PC814X)	[PC2]
40	VHPSG206S//-1	AG		B	Photo transistor(SG206S)	[PE]
41	VSDTC114ES/-1	AB		B	Transistor(DTC114ES)	[Q1]
42	VS2SC1815GR-1	AB		B	Transistor(2SC1815GR)	[Q2]
43	VSDTC114ES/-1	AB		B	Transistor(DTC114ES)	[Q3]
44	VRD-HT2EY910J	AA		C	Resistor(1/4W 91 ±5%)	[R1]
45	VRD-HT2EY300J	AA		C	Resistor(1/4W 30 ±5%)	[R2]
46	VRD-HT2HY223J	AA		C	Resistor(1/2W 22K ±5%)	[R3]
47	VRD-HT2EY223J	AA		C	Resistor(1/4W 22K ±5%)	[R5]
48	VRD-HT2EY221J	AA		C	Resistor(1/4W 220 ±5%)	[R6]
49	VRD-HT2EY103J	AA		C	Resistor(1/4W 10K ±5%)	[R7]
50	VRD-HT2EY153J	AA		C	Resistor(1/4W 15K ±5%)	[R8]
51	VRD-HT2EY621J	AA		C	Resistor(1/4W 620 ±5%)	[R10]
52	VRD-HT2EY103J	AA		C	Resistor(1/4W 10K ±5%)	[R11]
53	VRD-HT2EY103J	AA		C	Resistor(1/4W 10K ±5%)	[R12]
54	VRD-HT2EY103J	AA		C	Resistor(1/4W 10K ±5%)	[R13]
55	VRD-HT2EY332J	AA		C	Resistor(1/4W 3.3K ±5%)	[R14]
56	VRD-HT2EY102J	AA		C	Resistor(1/4W 1.0K ±5%)	[R15]
57	VRD-HT2EY152J	AA		C	Resistor(1/4W 1.5K ±5%)	[R16]
58	VRD-HT2EY102J	AA		C	Resistor(1/4W 1.0K ±5%)	[R18]
59	VRD-HT2EY152J	AA		C	Resistor(1/4W 1.5K ±5%)	[R19]
60	VRD-HT2EY102J	AA		C	Resistor(1/4W 1.0K ±5%)	[R20]
61	VRD-HT2EY153J	AA		C	Resistor(1/4W 15K ±5%)	[R21]
62	VRD-HT2EY332J	AA		C	Resistor(1/4W 3.3K ±5%)	[R22]
63	VRD-HT2EY151J	AA		C	Resistor(1/4W 150 ±5%)	[R24]
64	QSW-Z2206SCZZ	AH		B	Hook switch(SPPY11-BM)	[SW1]
65	RTRNZ2128XH01	AP		B	Transformer(Z2128)	[T1]
66	VHVERZV5D471/	AC		B	Varistor(ERZV5D471)	[VA1]
67	VHVERZV5D471/	AC		B	Varistor(ERZV5D471)	[VA2]
68	VHEHZ2C1///-1	AA		B	Zener diode(HZ2C1)	[ZD1]
69	VHEHZ2C1///-1	AA		B	Zener diode(HZ2C1)	[ZD2]
70	VHEHZ27-1//1	AB		B	Zener diode(HZ27)	[ZD3]
71	VHEHZ2C1///-1	AA		B	Zener diode(HZ2C1)	[ZD4]
72	VHEHZ2C1///-1	AA		B	Zener diode(HZ2C1)	[ZD5]
	(Unit)					
901	DCEKL391BAX01	BE	N	E	TEL/Liu PWB unit	

<b>[12] Ink sensor PWB unit</b>						
1	VCEAEA1CW106M	AC		C	Capacitor(16WV 10μF)	[C1]
2	VCEAEA1CW106M	AC		C	Capacitor(16WV 10μF)	[C2]
3	VCKYTV1EF104Z	AA		C	Capacitor(25WV 0.1μF)	[C101]
4	VCKYTV1EF104Z	AA		C	Capacitor(25WV 0.1μF)	[C103]
5	VCKYTV1HB121K	AA		C	Capacitor(50WV 120PF)	[C104]
6	VCKYTV1EB104K	AA		C	Capacitor(25WV 0.1μF)	[C106]
7	QCNCM704FAF02	AC		C	Connector(6pin)	[CNPHOTO]
8	VHPPD410PI/-1	AE		B	Photo transistor(PD410PI)	[D1]
9	VHPGL480///-1	AD		B	Photo transistor(GL480)	[D2]
10	VHD1SS355//-1	AB		B	Diode(1SS355)	[D101]
11	VHINJM324M/-1	AH	N	B	IC(NJM324M)	[IC1]
12	VHINJM311M/-1	AL		B	IC(NJM311M)	[IC2]
13	VS2SC2412KR-1	AD		B	Transistor(2SC2412K)	[Q101]
14	VRS-TV2AB103J	AA		C	Resistor(1/10W 10K ±5%)	[R101]

NO.	PARTS CODE	PRICE RANK	NEW MARK	PART RANK	DESCRIPTION	
[12] Ink sensor PWB unit						
15	VRS-TV2AB103J	AA		C	Resistor(1/10W 10K ±5%)	[R102]
16	VRS-TV2AB434J	AA		C	Resistor(1/10W 430K ±5%)	[R103]
17	VRS-TV2AB222J	AA		C	Resistor(1/10W 2.2K ±5%)	[R104]
18	VRS-TV2AB103J	AA		C	Resistor(1/10W 10K ±5%)	[R105]
19	VRS-TV2AB222J	AA		C	Resistor(1/10W 2.2K ±5%)	[R106]
20	VRS-TV2AB434J	AA		C	Resistor(1/10W 430K ±5%)	[R107]
21	VRS-TV2AB103J	AA		C	Resistor(1/10W 10K ±5%)	[R108]
22	VRS-TV2AB103J	AA		C	Resistor(1/10W 10K ±5%)	[R109]
23	VRS-TV2AB124J	AA		C	Resistor(1/10W 120K ±5%)	[R110]
24	VRS-TV2AB103J	AA		C	Resistor(1/10W 10K ±5%)	[R111]
25	VRS-TV2AB434J	AA		C	Resistor(1/10W 430K ±5%)	[R112]
26	VRS-TV2AB473J	AA		C	Resistor(1/10W 47K ±5%)	[R113]
27	VRS-TV2AB151J	AA		C	Resistor(1/10W 150 ±5%)	[R114]
28	VRS-TV2AB151J	AA		C	Resistor(1/10W 150 ±5%)	[R115]
29	VRS-TV2AB104J	AA		C	Resistor(1/10W 100K ±5%)	[R116]
30	VRS-TV2AB332J	AA		C	Resistor(1/10W 3.3K ±5%)	[R117]
	(Unit)					
901	DCEKS396BAX01	AZ	N	E	Ink sensor PWB	
[13] Printer PWB unit						
1	VCEAGU1VW107M	AB		C	Capacitor(35WV 100µF)	[C2]
2	VCEAZU1VJ108M	AG	N	C	Capacitor(35WV 1000µF)	[C3]
3	VCEAGA1CW107M	AC		C	Capacitor(16WV 100µF)	[C4]
4	VCKYTV1HF104Z	AA		C	Capacitor(50WV 0.1µF)	[C100]
5	VCCCTV1HH331J	AA		C	Capacitor(50WV 330PF)	[C101]
6	VCCCTV1HH471J	AA		C	Capacitor(50WV 470PF)	[C102]
7	VCCCTV1HH471J	AA		C	Capacitor(50WV 470PF)	[C103]
8	VCKYTV1CF225Z	AD		C	Capacitor(16WV 2.2µF)	[C104]
9	VCKYTV1HF104Z	AA		C	Capacitor(50WV 0.1µF)	[C105]
10	VCKYTV1HB103K	AB		C	Capacitor(50WV 0.01µF)	[C106]
11	VCCCTV1HH102J	AA		C	Capacitor(50WV 1000PF)	[C107]
12	VCCCTV1HH331J	AA		C	Capacitor(50WV 330PF)	[C108]
13	VCKYTV1HF104Z	AA		C	Capacitor(50WV 0.1µF)	[C109]
14	VCKYTV1HF104Z	AA		C	Capacitor(50WV 0.1µF)	[C110]
15	VCKYTV1HF104Z	AA		C	Capacitor(50WV 0.1µF)	[C111]
16	VCKYTV1CF225Z	AD		C	Capacitor(16WV 2.2µF)	[C112]
17	VCKYTV1CF225Z	AD		C	Capacitor(16WV 2.2µF)	[C113]
18	VCKYTV1HF104Z	AA		C	Capacitor(50WV 0.1µF)	[C114]
19	VCKYTV1HF104Z	AA		C	Capacitor(50WV 0.1µF)	[C115]
20	VCCCTV1HH102J	AA		C	Capacitor(50WV 1000PF)	[C116]
21	VCCCTV1HH102J	AA		C	Capacitor(50WV 1000PF)	[C117]
22	VCCCTV1HH101J	AA		C	Capacitor(50WV 100PF)	[C118]
23	VCCCTV1HH102J	AA		C	Capacitor(50WV 1000PF)	[C119]
24	VCCCTV1HH561J	AA		C	Capacitor(50WV 560PF)	[C120]
25	VCCCTV1HH561J	AA		C	Capacitor(50WV 560PF)	[C121]
26	VCKYTV1HF104Z	AA		C	Capacitor(50WV 0.1µF)	[C123]
27	VCCCTV1HH102J	AA		C	Capacitor(50WV 1000PF)	[C125]
28	VCKYTV1HF104Z	AA		C	Capacitor(50WV 0.1µF)	[C126]
29	VCCCTV1HH102J	AA		C	Capacitor(50WV 1000PF)	[C127]
30	VCCCTV1HH102J	AA		C	Capacitor(50WV 1000PF)	[C128]
31	VCCCTV1HH101J	AA		C	Capacitor(50WV 100PF)	[C129]
32	VCCCTV1HH102J	AA		C	Capacitor(50WV 1000PF)	[C130]
33	VCCCTV1HH102J	AA		C	Capacitor(50WV 1000PF)	[C131]
34	VCKYTV1HF103Z	AA		C	Capacitor(50WV 0.010µF)	[C132]
35	VCCCTV1HH150J	AA		C	Capacitor(50WV 15PF)	[C133]
36	VCCCTV1HH220J	AA		C	Capacitor(50WV 22PF)	[C134]
37	VCCCTV1HH220J	AA		C	Capacitor(50WV 22PF)	[C135]
38	VCKYTV1HF104Z	AA		C	Capacitor(50WV 0.1µF)	[C136]
39	VCCCTV1HH102J	AA		C	Capacitor(50WV 1000PF)	[C137]
40	VCCCTV1HH102J	AA		C	Capacitor(50WV 1000PF)	[C138]
41	VCKYTV1HB472K	AA		C	Capacitor(50WV 4700PF)	[C139]
42	VCCCTV1HH102J	AA		C	Capacitor(50WV 1000PF)	[C140]
43	VCCCTV1HH102J	AA		C	Capacitor(50WV 1000PF)	[C141]
44	VCCCTV1HH102J	AA		C	Capacitor(50WV 1000PF)	[C142]
45	VCKYTV1CF225Z	AD		C	Capacitor(16WV 2.2µF)	[C143]
46	VCCCTV1HH561J	AA		C	Capacitor(50WV 560PF)	[C144]
47	VCCCTV1HH561J	AA		C	Capacitor(50WV 560PF)	[C145]
48	VCKYTV1HF104Z	AA		C	Capacitor(50WV 0.1µF)	[C146]
49	VCKYTV1HF104Z	AA		C	Capacitor(50WV 0.1µF)	[C147]
50	VCKYTV1HF103Z	AA		C	Capacitor(50WV 0.010µF)	[C148]
51	VCCCTV1HH150J	AA		C	Capacitor(50WV 15PF)	[C149]
52	VCCCTV1HH102J	AA		C	Capacitor(50WV 1000PF)	[C150]
53	VCKYTV1HF104Z	AA		C	Capacitor(50WV 0.1µF)	[C151]
54	VCKYTV1HB103K	AB		C	Capacitor(50WV 0.01µF)	[C300]
55	VCKYTV1HB103K	AB		C	Capacitor(50WV 0.01µF)	[C302]
56	VCKYTV1HB103K	AB		C	Capacitor(50WV 0.01µF)	[C303]

NO.	PARTS CODE	PRICE RANK	NEW MARK	PART RANK	DESCRIPTION
<b>[13] Printer PWB unit</b>					
57	QCNCM7014SC0E	AB		C	Connector(5pin) [CN1]
58	QCNCM7014SC0D	AB		C	Connector(4pin) [CN2]
59	QCNCW2556SC3B	AG	N	C	Connector(32pin) [CN3]
60	QCNCW2556SC3B	AG	N	C	Connector(32pin) [CN4]
61	QCNCM2482SC2H	AG	N	C	Connector(28pin) [CNPRT]
62	VHDERA81004-1	AE	N	B	Diode(ERA81-004) [D1]
63	VHDERA81004-1	AE	N	B	Diode(ERA81-004) [D2]
64	VHDERA81004-1	AE	N	B	Diode(ERA81-004) [D3]
65	VHDERA81004-1	AE	N	B	Diode(ERA81-004) [D4]
66	VHVICPS07//-1	AA		B	Varistor(ICP-S07) [F100]
67	VHVICPS07//-1	AA		B	Varistor(ICP-S07) [F101]
68	RCILZ2141AXZZ	AD	N	C	Bead coil [FB100]
69	RCILZ2141AXZZ	AD	N	C	Bead coil [FB101]
70	RCILZ2141AXZZ	AD	N	C	Bead coil [FB102]
71	RCILZ2141AXZZ	AD	N	C	Bead coil [FB103]
72	RCILZ2141AXZZ	AD	N	C	Bead coil [FB104]
73	VHILB1845//-1	AY	N	B	IC(LB1845) [IC1]
74	VHISTA471A/-1	AK		B	IC(STA471A) [IC2]
75	VHIW24257S7LL	AP		B	IC(W24257) [IC3]
76	VHIL6451///-1	AX	N	B	IC(L6451) [IC4]
77	VHITC16G331AF	BG	N	B	IC(TC160G331AF) [IC5]
78	VHIL6451///-1	AX	N	B	IC(L6451) [IC6]
79	VHIBA10393F-1	AC		B	IC(BA10393F) [IC7]
80	VHITMP87PH47U	AZ	N	B	IC(TMP87C807U) [IC8]
81	VHPSG206S//-1	AG		B	Photo transistor(SG206S) [PC1]
82	PSLDM2045AXZZ	AF	N	C	Printer shield plate [PLT]
83	VS2SB1261K/-1	AE		B	Transistor(2SB1261(K)) [Q1]
84	VS2SC2412KR-1	AD		B	Transistor(2SC2412K) [Q101]
85	VSDTA114EK/-1	AB		B	Transistor(DTA114EKA) [Q102]
86	VSDTA114EK/-1	AB		B	Transistor(DTA114EKA) [Q103]
87	VSDTA114EK/-1	AB		B	Transistor(DTA114EKA) [Q104]
88	VSDTA114EK/-1	AB		B	Transistor(DTA114EKA) [Q105]
89	RR-SZ3013SCZZ	AC	N	C	Resistor(1W 22.1 ±1%) [R1]
90	RR-SZ3013SCZZ	AC	N	C	Resistor(1W 22.1 ±1%) [R2]
91	VRS-HT3AAR75J	AC	N	C	Resistor(1W 0.75 ±5%) [R3]
92	VRS-HT3AAR75J	AC	N	C	Resistor(1W 0.75 ±5%) [R4]
93	RR-SZ3013SCZZ	AC	N	C	Resistor(1W 22.1 ±1%) [R6]
94	RR-SZ3013SCZZ	AC	N	C	Resistor(1W 22.1 ±1%) [R7]
95	VRD-HT2EY122J	AA		C	Resistor(1/4W 1.2K ±5%) [R8]
96	VRD-HT2EY122J	AA		C	Resistor(1/4W 1.2K ±5%) [R9]
97	VRS-TV2AB471J	AA		C	Resistor(1/10W 470 ±5%) [R100]
98	VRS-TV2AB471J	AA		C	Resistor(1/10W 470 ±5%) [R101]
99	VRS-TV2AB223J	AA		C	Resistor(1/10W 22K ±5%) [R102]
100	VRS-TV2AB390J	AB		C	Resistor(1/10W 39 ±5%) [R103]
101	VRS-TV2AB102J	AA		C	Resistor(1/10W 1K ±5%) [R104]
102	VRS-TV2AB563F	AB	N	C	Resistor(1/10W 56K ±1%) [R105]
103	VRS-TV2AB563F	AB	N	C	Resistor(1/10W 56K ±1%) [R106]
104	VRS-TV2AB152J	AB		C	Resistor(1/10W 1.5K ±5%) [R110]
105	VRS-TV2AB222J	AA		C	Resistor(1/10W 2.2K ±5%) [R111]
106	VRS-TV2AB152J	AB		C	Resistor(1/10W 1.5K ±5%) [R112]
107	VRS-TV2AB222J	AA		C	Resistor(1/10W 2.2K ±5%) [R113]
108	VRS-TV2AB152J	AB		C	Resistor(1/10W 1.5K ±5%) [R114]
109	VRS-TV2AB222J	AA		C	Resistor(1/10W 2.2K ±5%) [R115]
110	VRS-TV2AB222J	AA		C	Resistor(1/10W 2.2K ±5%) [R116]
111	VRS-TV2AB152J	AB		C	Resistor(1/10W 1.5K ±5%) [R117]
112	VRS-TV2AB472J	AA		C	Resistor(1/10W 4.7K ±5%) [R119]
113	VRS-TV2AB102J	AA		C	Resistor(1/10W 1K ±5%) [R120]
114	VRS-TV2AB390J	AB		C	Resistor(1/10W 39 ±5%) [R126]
115	VRS-TV2AB472J	AA		C	Resistor(1/10W 4.7K ±5%) [R127]
116	VRS-TV2AB472J	AA		C	Resistor(1/10W 4.7K ±5%) [R128]
117	VRS-TV2AB472J	AA		C	Resistor(1/10W 4.7K ±5%) [R129]
118	VRS-TV2AB390J	AB		C	Resistor(1/10W 39 ±5%) [R130]
119	VRS-TV2AB103J	AA		C	Resistor(1/10W 10K ±5%) [R131]
120	VRS-TV2AB390J	AB		C	Resistor(1/10W 39 ±5%) [R132]
121	VRS-TV2AB471J	AA		C	Resistor(1/10W 470 ±5%) [R133]
122	VRS-TV2AB471J	AA		C	Resistor(1/10W 470 ±5%) [R134]
123	VRS-TV2AB223J	AA		C	Resistor(1/10W 22K ±5%) [R135]
124	VRS-TV2AB390J	AB		C	Resistor(1/10W 39 ±5%) [R136]
125	VRS-TV2AB472J	AA		C	Resistor(1/10W 4.7K ±5%) [R137]
126	VRS-TV2AB472J	AA		C	Resistor(1/10W 4.7K ±5%) [R138]
127	VRS-TV2AB390J	AB		C	Resistor(1/10W 39 ±5%) [R139]
128	VRS-TV2AB472J	AA		C	Resistor(1/10W 4.7K ±5%) [R140]
129	VRS-TV2AB472J	AA		C	Resistor(1/10W 4.7K ±5%) [R141]
130	VRS-TV2AB390J	AB		C	Resistor(1/10W 39 ±5%) [R142]
131	VRS-TV2AB390J	AB		C	Resistor(1/10W 39 ±5%) [R143]
132	VRS-TV2AB103J	AA		C	Resistor(1/10W 10K ±5%) [R144]
133	VRS-TV2AB472J	AA		C	Resistor(1/10W 4.7K ±5%) [R145]
134	VRS-TV2AB682J	AB		C	(1/10W 6.8K ±5%) [R146]
135	VRS-TV2AB682J	AB		C	(1/10W 6.8K ±5%) [R148]
136	VRS-TV2AB472J	AA		C	Resistor(1/10W 4.7K ±5%) [R152]

NO.	PARTS CODE	PRICE RANK	NEW MARK	PART RANK	DESCRIPTION	
<b>[13] Printer PWB unit</b>						
137	VRS-TV2AB472J	AA		C	Resistor(1/10W 4.7K ±5%)	[R153]
138	VRS-TV2AB390J	AB		C	Resistor(1/10W 39 ±5%)	[R154]
139	VRS-TV2AB472J	AA		C	Resistor(1/10W 4.7K ±5%)	[R155]
140	VRS-TV2AB390J	AB		C	Resistor(1/10W 39 ±5%)	[R156]
141	VRS-TV2AB390J	AB		C	Resistor(1/10W 39 ±5%)	[R157]
142	VRS-TV2AB390J	AB		C	Resistor(1/10W 39 ±5%)	[R158]
143	VRS-TV2AB471J	AA		C	Resistor(1/10W 470 ±5%)	[R159]
144	VRS-TV2AB103J	AA		C	Resistor(1/10W 10K ±5%)	[R160]
145	VRS-TV2AB000J	AA		C	Resistor(1/10W 0 ±5%)	[R162]
146	VRS-TV2AB332J	AA		C	Resistor(1/10W 3.3K ±5%)	[R163]
147	VRS-TV2AB562J	AA		C	Resistor(1/10W 5.6K ±5%)	[R164]
148	VRS-TV2AB390J	AB		C	Resistor(1/10W 39 ±5%)	[R165]
149	VRS-TV2AB562J	AA		C	Resistor(1/10W 5.6K ±5%)	[R166]
150	VRS-TV2AB105J	AA		C	Resistor(1/10W 1.0M ±5%)	[R167]
151	VRS-TV2AB390J	AB		C	Resistor(1/10W 39 ±5%)	[R168]
152	VRS-TV2AB472J	AA		C	Resistor(1/10W 4.7K ±5%)	[R171]
153	VRS-TV2AB472J	AA		C	Resistor(1/10W 4.7K ±5%)	[R172]
154	VRS-TV2AB472J	AA		C	Resistor(1/10W 4.7K ±5%)	[R173]
155	VRS-TV2AB102J	AA		C	Resistor(1/10W 1K ±5%)	[R175]
156	VRS-TV2AB472J	AA		C	Resistor(1/10W 4.7K ±5%)	[R175]
157	VRS-TV2AB472J	AA		C	Resistor(1/10W 4.7K ±5%)	[R176]
158	VRS-TV2AB472J	AA		C	Resistor(1/10W 4.7K ±5%)	[R177]
159	VRS-TV2AB472J	AA		C	Resistor(1/10W 4.7K ±5%)	[R178]
160	VRS-TV2AB472J	AA		C	Resistor(1/10W 4.7K ±5%)	[R179]
161	VRS-TV2AB390J	AB		C	Resistor(1/10W 39 ±5%)	[R180]
162	VRS-TV2AB390J	AB		C	Resistor(1/10W 39 ±5%)	[R181]
163	VRS-TV2AB390J	AB		C	Resistor(1/10W 39 ±5%)	[R182]
164	VRS-TV2AB390J	AB		C	Resistor(1/10W 39 ±5%)	[R183]
165	VRS-TV2AB390J	AB		C	Resistor(1/10W 39 ±5%)	[R184]
166	VRS-TV2AB390J	AB		C	Resistor(1/10W 39 ±5%)	[R185]
167	VRS-TV2AB103J	AA		C	Resistor(1/10W 10K ±5%)	[R187]
168	VRS-TV2AB390J	AB		C	Resistor(1/10W 39 ±5%)	[R189]
169	VRS-TV2AB223J	AA		C	Resistor(1/10W 22K ±5%)	[R190]
170	VRS-TV2AB000J	AA		C	Resistor(1/10W 0 ±5%)	[R192]
171	VRS-TV2AB471J	AA		C	Resistor(1/10W 470 ±5%)	[R193]
172	VRS-TV2AB000J	AA		C	Resistor(1/10W 0 ±5%)	[R195]
173	VRS-TV2AB472J	AA		C	Resistor(1/10W 4.7K ±5%)	[R198]
174	VRS-TV2AB472J	AA		C	Resistor(1/10W 4.7K ±5%)	[R199]
175	VRS-TV2AB000J	AA		C	Resistor(1/10W 0 ±5%)	[R301]
176	VRS-TV2AB331J	AD		C	Resistor(1/10W 330 ±5%)	[R304]
177	VRS-TV2AB331J	AD		C	Resistor(1/10W 330 ±5%)	[R305]
178	VRS-TV2AB103J	AA		C	Resistor(1/10W 10K ±5%)	[R311]
179	VRS-TV2AB103J	AA		C	Resistor(1/10W 10K ±5%)	[R312]
180	RCRSZ7008SCZZ (Unit)	AD		B	Crystal(16.0MHz)	[X1]
901	DCEKC395BAX01	BV	N	E	Printer PWB unit	
<b>[14] Operation panel PWB unit</b>						
901	DCEKP392BAX01	BL	N	E	Panel PWB unit	
<b>[15] IrDA PWB unit</b>						
1	VCEAPS476AF1C	AC		C	Capacitor(16WV 47µF)	[C1]
2	VCEAPS476AF1C	AC		C	Capacitor(16WV 47µF)	[C2]
3	VCKYTV1HF223Z	AA		C	Capacitor(50WV 0.022µF)	[C3]
4	VCKYTV1HF223Z	AA		C	Capacitor(50WV 0.022µF)	[C4]
5	VCEAPS476AF1C	AC		C	Capacitor(16WV 47µF)	[C5]
6	QCNCM2557SC0E	AE	N	C	Connector	[CN1R]
7	VRS-TW2HF000J	AC	N	C	Resistor(1/2W 0 ±5%)	[J1]
8	VRS-TW2HF000J	AC	N	C	Resistor(1/2W 0 ±5%)	[J2]
9	VRS-TW2HF000J	AC	N	C	Resistor(1/2W 0 ±5%)	[J3]
10	VHPGL1F21A/-1	AN	N	B	Photo transistor(GL1F21A)	[LED1]
11	VHPIS1U21A/-1	AP	N	B	Photo transistor(IS1U21A)	[LED2]
12	VRS-TW2HF200J	AC	N	C	Resistor(1/2W 20 ±5%)	[R1]
13	VRS-TW2HF200J	AC	N	C	Resistor(1/2W 20 ±5%)	[R2]
14	VRS-TW2HF910J	AC	N	C	Resistor(1/2W 91 ±5%)	[R3]
15	VRS-TW2HF910J	AC	N	C	Resistor(1/2W 91 ±5%)	[R4]
901	DCEKI394BAX01 (Unit)	BB	N	E	IrDA PWB unit	

NO.	PARTS CODE	PRICE RANK	NEW MARK	PART RANK	DESCRIPTION
<b>[16] Power supply PWB unit</b>					
1	0KY0L551A0010	AE		C	Beads inductor(BL02RN1) [BEA1]
2	0KY0L551A0010	AE		C	Beads inductor(BL02RN1) [BEA101]
3	0KY0C245Q1040	AM		C	Film capacitor(250WV 0.1μF) [C1]
4	0KY0C3M1K2210	BA		C	Electrolytic capacitor(200WV 220μF) [C5]
5	0KY0C1A9R2210	AG		C	Ceramic capacitor(1KWV 220PF) [C8]
6	0KY0C251E4720	AE		C	Film capacitor(50WV 4700PF) [C9]
7	0KY0C251E1030	AE		C	Film capacitor(50WV 0.01μF) [C10]
8	0KY0C151E1010	AE		C	Ceramic capacitor(50WV 100PF) [C11]
9	0KY0C176Q3320	AL		C	Ceramic capacitor(250WV 3300PF) [C71]
10	0KY0C374D3310	AN		C	Electrolytic capacitor(35WV 330μF) [C101]
11	0KY0C374D3310	AN		C	Electrolytic capacitor(35WV 330μF) [C102]
12	0KY0C162E1040	AF		C	Ceramic capacitor(50WV 0.1μF) [C110]
13	0KY0C1A9Y1020	AG		C	Ceramic capacitor(500WV 1000PF) [C111]
14	0KY0K251A0020	AK		C	Connector(B2P3-VH) [CN1]
15	0KY0K221B0080	AP		C	Connector(08R-FJ) [CN101]
16	0KY0D251A0020	AD		B	Diode(1SS133) [D4]
17	0KY0D466A0600	AE		B	Zener diode(HZS9B2) [D5]
18	0KY0D251A0020	AD		B	Diode(1SS133) [D6]
19	0KY0D251A0020	AD		B	Diode(1SS133) [D7]
20	0KY0D157A0060	AG		B	Diode(ERA15-06) [D10]
21	0KY0D157A0060	AG		B	Diode(ERA15-06) [D11]
22	0KY0D157A0060	AG		B	Diode(ERA15-06) [D12]
23	0KY0D157A0060	AG		B	Diode(ERA15-06) [D13]
24	0KY0D221B0020	AT		B	Diode(YG911S2R) [D101]
25	0KY0D272A0060	AP		B	Diode(2FWJ42) [D102]
26	0KY0D461A3200	AL		B	Zener diode(HZ-30CP) [D104]
27	0KY0K758A4R00	AT		A	Fuse(4.0A 125V) [F1]
28	0KY0MPS029600	AP		C	Heat sink [HS1]
29	0KY0MPH006900	AF		C	Heat sink [HS2]
30	0KY1H153A0010	AP		B	IC(TA76431) [IC101]
31	0KY0H135A5R00	AV		B	IC(PQ05RD11) [IC103]
32	0KY0L113J1830	AQ		B	Line filter [L1]
33	0KY0D763A4R00	AN		B	Thermistor [NTC1]
34	0KY0H719A0010	AP		B	Photo coupler(PC817B) [PC1]
35	0KY0T644A0010	AV		B	FET(2SK2972) [Q1]
36	0KY0T358A0040	AG		B	Transistor(2SC1741AS) [Q2]
37	0KY0R153U1050	AC		C	Resistor(1/4W 1M ±5%) [R1]
38	0KY0R153U1840	AC		C	Resistor(1/4W 180K ±5%) [R2]
39	0KY0R153U1840	AC		C	Resistor(1/4W 180K ±5%) [R3]
40	0KY0R153U1830	AC		C	Resistor(1/4W 18K ±5%) [R5]
41	0KY0R153U4710	AC		C	Resistor(1/4W 470 ±5%) [R6]
42	0KY0R153U1810	AC		C	Resistor(1/4W 180 ±5%) [R7]
43	0KY0R153U3330	AB		C	Resistor(1/4W 33K ±5%) [R8]
44	0KY0R153U1010	AC		C	Resistor(1/4W 100 ±5%) [R9]
45	0KY0R153U6220	AC		C	Resistor(1/4W 6.2K ±5%) [R10]
46	0KY0R153U9120	AC		C	Resistor(1/4W 9.1K ±5%) [R11]
47	0KY0R153U2030	AC		C	Resistor(1/4W 20K ±5%) [R12]
48	0KY0R153U3910	AC		C	Resistor(1/4W 390 ±5%) [R17]
49	0KY0R153U1000	AC		C	Resistor(1/4W 10 ±5%) [R19]
50	0KY0R153U3920	AC		C	Resistor(1/4W 3.9K ±5%) [R102]
51	0KY0R153U3920	AC		C	Resistor(1/4W 3.9K ±5%) [R103]
52	0KY0R153U3920	AC		C	Resistor(1/4W 3.9K ±5%) [R104]
53	0KY0R153U3920	AC		C	Resistor(1/4W 3.9K ±5%) [R105]
54	0KY0R153U3310	AC		C	Resistor(1/4W 330 ±5%) [R110]
55	0KY0R153U1020	AB		C	Resistor(1/4W 1K ±5%) [R111]
56	0KY0R153U1530	AC		C	Resistor(1/4W 15K ±5%) [R112]
57	0KY0R153U2220	AC		C	Resistor(1/4W 2.2K ±5%) [R113]
58	0KY0R353U1630	AD		C	Resistor(1/4W 16K ±1%) [R114]
59	0KY0M135A0050	AE		C	Screw(2x6)
60	0KY0L200C0402	BA		B	Transformer [T1]
61	0KY0R854E5020	AK		B	Trimmer potentiometer(1/10W 5K) [VR101]
62	0KY0D754A2410	AL		B	Varistor(ENC241D) [Z1]
	(Unit)				
901	RDENT2122AXZZ	BN	N	E	Power supply PWB unit
<b>[50] Hardware parts</b>					
B1	LX-BZ2138XHZZ	AB		C	Screw(2x6)
B2	LX-BZ2222AXZZ	AC		C	Screw(3x10)
B3	_____		N	C	Screw P-Tight(2x5)
B4	_____		N	C	Screw(1x6)
B5	_____		N	C	Screw(2x5)
B6	XBPSD30P06K00	AA		C	Screw(3x6)
B7	XBPSE30P06K00	AA		C	Screw(3x6)
B8	XBPSN40P06K00	AA		C	Screw(4x6)
B9	XEBSD30P06000	AA		C	Screw(3x6)
B10	XEBSD30P10000	AA		C	Screw(3x10)



Index

PARTS CODE	No.	PRICE RANK	NEW MARK	PART RANK
[C]				
CCNW-4772AX01	1-1	AL	N	C
CGERH2363AX01	6-5	AK		B
CROLR2362AX01	5-1	AN		C
[D]				
DCEKC395BAX01	1-3	BV	N	E
"	13-901	BV	N	E
DCEKC781JAXZZ	1-4	CM	N	E
"	10-901	CM	N	E
DCEKC887JAXZZ	1-4	CM	N	E
"	10-901	CM	N	E
DCEKI394BAX01	1-5	BB	N	E
"	15-901	BB	N	E
DCEKL391BAX01	1-6	BE	N	E
"	11-901	BE	N	E
DCEKP390BAX01	1-7	BP	N	E
"	3-901	BP	N	E
DCEKP390BAX02	1-7	BP	N	E
DCEKP392BAX01	3-1	BL	N	E
"	14-901	BL	N	E
DCEKS396BAX01	1-8	AZ	N	E
"	12-901	AZ	N	E
DUNTK307BAXOG	9-1	AZ		E
DUNTK307BAXOW	9-1	AZ		E
[G]				
GCABA2299AXSA	3-2	AS	N	D
GCABA2299AXSC	3-2	AS	N	D
GCABB2300AXSA	5-2	AQ	N	D
GCABB2300AXSC	5-2	AQ	N	D
GCABC2301AXSA	1-9	AX	N	D
GCABC2301AXSC	1-9	AZ	N	D
GCABD2302AXSA	1-10	AM	N	D
GCABD2302AXSC	1-10	AM	N	D
GCABE2303AXSA	1-11	AL	N	D
GCABE2303AXSC	1-11	AL	N	D
GCABF2304AXSA	1-12	AP	N	D
GCABF2304AXSC	1-12	AP	N	D
GCABG2305AXSA	1-13	AS	N	D
GCABG2305AXSC	1-13	AR	N	D
GCOVA2381AXSA	1-2	BD	N	D
GCOVA2381AXSC	1-2	BD	N	D
GCOVA2382AXSA	1-14	AH	N	C
GDAI-2079AXSA	1-15	AL	N	C
GDAI-2079AXSC	1-15	AN	N	C
GLEGG2063AXZZ	1-16	AC		C
[H]				
HPNLH2385AXSA	1-17	AU	N	D
[J]				
JBTN-2202AXSA	3-3	AG		C
JBTN-2202AXSC	3-3	AG		C
JBTN-2203AXSA	3-4	AF		C
JBTN-2203AXSC	3-4	AF		C
JBTN-2204AXSA	3-5	AD		C
JBTN-2204AXSB	3-5	AD		C
JBTN-2205AXSA	3-6	AD		C
JBTN-2205AXSB	3-6	AD		C
JBTN-2222AXSA	3-7	AE	N	C
[L]				
LANGF2812AXZZ	1-18	AG	N	C
LANGF2815AXZZ	4-1	AE	N	C
LBNDJ2008SCZZ	1-19	AA		C
LBRC-2006AXZZ	8-35	AK	N	C
LBSHP2095AXZZ	8-36	AD	N	C
LBSHP2096AXZZ	4-2	AK	N	C
LFRM-2188AXZZ	7-1	AP	N	C
LFRM-2189AXSA	5-3	AR	N	C
LFRM-2189AXSC	5-3	AR	N	C
LFRM-2190AXZZ	1-20	AX	N	C
LFRM-2192AXZZ	8-37	AL	N	C
LHLDZ2165AXZZ	5-4	AN	N	C
LHLDZ2166AXZZ	1-21	AD	N	C
LHLDZ2168AXZZ	8-38	AS	N	C
LHLDZ2169AXZZ	8-39	AD	N	C
LHLDZ2171AXSA	1-22	AE	N	C
LHLDZ2171AXSC	1-22	AE	N	C
LPLTG2707XHZZ	4-3	AE		C
LPLTM2917AXZZ	4-4	AH	N	C
LPLTM2919AXZZ	6-1	AN	N	C
LPLTM2922AXZZ	7-2	AF	N	C
LPLTM2923AXZA	1-23		N	C

PARTS CODE	No.	PRICE RANK	NEW MARK	PART RANK
LPLTM2924AXZZ	5-5	AQ	N	C
LPLTP2884AXZZ	5-6	AP		C
LPLTP2888AXSC	5-7	AP		C
LPLTP2888AXSG	5-7	AL	N	C
LPLTP2889AXSC	1-24	AK	N	C
LPLTP2889AXSD	1-24	AN	N	C
LPLTP2890AXSC	1-25	AZ	N	C
LPLTP2890AXSD	1-25	AG	N	C
LPLTP2916AXZZ	4-5	AE	N	C
LPLTP2918AXZZ	6-2	AW	N	C
LPLTP2920AXZZ	6-3	AE	N	C
LPLTP2921AXZZ	6-4	AE	N	C
LPLTP2925AXSA	1-26	AQ	N	C
LPLTP2925AXSC	1-26	AQ	N	C
LPLTP2926AXSA	1-27	AM	N	C
LPLTP2926AXSC	1-27	AM	N	C
LPLTP2932AXSA	1-28	AK	N	C
"	9-22	AK	N	C
LX-BZ2138XHZZ	50-B1	AB		C
LX-BZ2222AXZZ	50-B2	AC		C
LX-WZ2229AXZZ	50-W1	AC	N	C
LX-WZ2230AXZZ	50-W2	AC	N	C
[M]				
MLEVP2271AXSA	4-6	AH	N	C
MLEVP2271AXSC	4-6	AH	N	C
MLEVP2273AXZZ	8-40	AH	N	C
MLEVP2274AXZZ	8-41	AD	N	C
MLEVP2275AXZZ	5-8	AE	N	C
MLEVP2276AXZZ	5-9	AE	N	C
MLEVP2277AXZZ	5-10	AE	N	C
MLEVP2278AXSA	1-29	AF	N	C
MSPRC2735XHZZ	8-42	AC		C
MSPRC2832AXZZ	2-1	AC	N	C
MSPRC2969AXZZ	6-6	AD	N	C
MSPRC2973AXZZ	1-30	AC	N	C
MSPRC2995AXFJ	5-12	AC		C
MSPRC3007AXZZ	5-11	AC	N	C
MSPRC3008AXZZ	8-43	AC	N	C
MSPRC3009AXZZ	4-8	AB	N	C
MSPRC3010AXZZ	4-7	AE	N	C
MSPRD2975AXZZ	8-44	AC	N	C
MSPRD2998AXZZ	5-13	AC	N	C
MSPRD3004AXZZ	5-14	AB	N	C
MSPRP2812SCZZ	4-9	AE		C
MSPRP3003AXZZ	4-10	AB	N	C
MSPRT2923AXFJ	4-11	AC		C
MSPRT2932AXFJ	5-15	AC		C
[N]				
NBLTK2056AXZZ	8-45	AF	N	C
NBRGP2141AXZZ	6-7	AC		C
NGERH2275XHZZ	6-8	AC		C
NGERH2278XHZZ	8-46	AC		C
NGERH2279XHZZ	8-47	AC		C
NGERH2365AXZZ	5-16	AD		C
NGERH2366AXZZ	5-17	AD		C
NGERH2393AXZZ	7-3	AD	N	C
NGERH2394AXZZ	7-4	AD	N	C
NGERH2396AXZZ	8-48	AD	N	C
NGERH2398AXZZ	8-49	AD	N	C
NGERH2399AXZZ	8-50	AD	N	C
NGERH2400AXZZ	8-51	AD	N	C
NGERH2401AXZZ	5-18	AF	N	C
NGERH2403AXZZ	4-12	AD	N	C
NGERP2318XHZZ	2-2	AD		C
NROLM2389AXZZ	1-47	AD	N	C
NROLP2334AXZZ	4-13	AE		C
NROLP2382AXZZ	8-52	AC	N	C
NROLR2333XHZZ	6-9	AP		C
NROLR2365AXZZ	6-10	AV		C
NROLR2379AXZZ	4-14	AZ	N	C
NROLR2380AXZZ	8-53	AX	N	C
NROLR2381AXZZ	8-54	AH	N	C
NSFTM2268AXZZ	5-19	AE		C
NSFTZ2257AXZZ	4-15	AE		C
[P]				
PCAPH2021AXZZ	1-31	AD	N	C
PCASZ2034AXSA	1-32	AE	N	C
PCASZ2034AXSC	1-32	AE	N	C
PCOVA2115AXSA	1-33	AL	N	C
PCOVP2118AXZZ	8-55	AE	N	C

PARTS CODE	No.	PRICE RANK	NEW MARK	PART RANK
PFLT-2015AXZZ	1-34	AG	N	C
PGIDM2508AXZZ	4-16	AU	N	C
PGIDM2509AXSA	2-4	AR	N	C
PGIDM2509AXSC	2-4	AR	N	C
PGIDM2510AXSA	2-5	AE	N	C
PGIDM2510AXSC	2-5	AE	N	C
PGIDM2511AXSA	2-6	AE	N	C
PGIDM2511AXSC	2-6	AE	N	C
PGIDM2512AXZZ	5-20	AS	N	C
PGUMM2152AXZZ	8-56	AD	N	C
PHOP-2097AXSA	2-7	AK	N	C
PHOP-2097AXSC	2-7	AK	N	C
PHOP-2098AXSA	5-21	AG	N	C
PHOP-2098AXSC	5-21	AG	N	C
PHOP-2099AXSA	5-22	AG	N	C
PHOP-2099AXSC	5-22	AG	N	C
PSEL-2015SCZZ	5-23	AB		C
PSHEZ3293AXZZ	5-24	AH		C
PSHEZ3342AXZZ	5-25	AC		C
PSHEZ3344AXZZ	5-26	AD		C
PSHEZ3345AXSA	1-35	AG	N	C
PSHEZ3356AXZZ	1-36	AC	N	C
PSHEZ3357AXZZ	5-27	AC	N	C
PSHEZ3367AXZZ	3-8	AE	N	C
PSHEZ3368AXZZ	1-37	AD	N	C
PSLDM2045AXZZ	8-58	AF		C
"	13-82	AF	N	C
[Q]				
QACCZ2012XHZZ	1-39	AT	N	B
QCNCM2401SC0F	10-138	AB		C
QCNCM2482SC2H	10-140	AG	N	C
"	13-61	AG	N	C
QCNCM2482SC2J	10-139	AE		C
QCNCM2499SC0H	10-141	AE		C
QCNCM2499SC1D	10-135	AG		C
QCNCM2557SC0E	15-6	AE	N	C
QCNCM7014SC0B	10-142	AD		C
QCNCM7014SC0D	13-58	AB		C
QCNCM7014SC0E	10-134	AB		C
"	13-57	AB		C
QCNCM7014SC0F	10-136	AB		C
QCNCM7014SC0G	10-133	AB		C
QCNCM704FAP02	12-7	AC		C
QCNCW0946FCZZ	10-137	AH		C
QCNCW2500SC1D	11-23	AG		C
QCNCW2556SC3B	13-59	AG	N	C
"	13-60	AG	N	C
QCNCW-3247SCZZ	9-5	AH		C
QCNCW-3975AXGY	9-5	AH		C
QCNCW-3976XH0G	9-6	AT		C
QCNCW-3976XH0W	9-6	AK		C
QCNCW-4773AXZZ	1-40	AG	N	D
QCNCW-4775AXZZ	1-43	AH	N	C
QCNCW-4776AXZZ	6-12	AR	N	C
QCNCW-4777AXZZ	1-41	AU	N	C
"	2-8	AU	N	C
"	3-9	AU	N	C
QCNCW-4778AXZZ	1-42	AZ	N	C
"	8-59	AZ	N	C
QCNCW-4806AXZZ	1-44	AD	N	C
"	11-2	AD	N	C
QCNCW-4807AXZZ	1-51	AE	N	C
"	8-57	AE	N	C
QCNCW-4855AXZZ	6-11	AD	N	C
QJAKZ2046SCBB	11-36	AH		C
QJAKZ2065SC0D	11-37	AG		C
QSOCZ2051SC32	10-191	AC		C
"	10-193	AC		C
QSW-Z2206SCZZ	11-64	AH		B
[R]				
RC-FZ3024SCZZ	11-3	AG		C
RCILZ2133SCZZ	10-309	AC		C
"	10-310	AC		C
RCILZ2141AXZZ	13-68	AD	N	C
"	13-69	AD	N	C
"	13-70	AD	N	C
"	13-71	AD	N	C
"	13-72	AD	N	C
RCORF2063XHZZ	1-45	AF		B
RCORF2064XHZZ	1-48	AF		B

PARTS CODE	No.	PRICE RANK	NEW MARK	PART RANK
RCORF2064XHZZ	2-9	AF		B
RCORF2096FFZZ	1-46	AD	N	B
RCRSB0297AFZZ	10-533	AD		B
RCRSQ2109SCZZ	10-535	AL		B
RCRSQ2123AXZZ	10-532	AL	N	B
RCRSQ2124AXZZ	10-534	AL	N	B
RCRSQ2125AXZZ	10-531	AL	N	B
RCRSZ7008SCZZ	13-180	AD		B
RDENT2122AXZZ	1-38	BN	N	E
"	16-901	BN	N	E
RFILN2011SCZZ	11-29	AC		C
"	11-30	AC		C
"	11-31	AC		C
"	11-32	AC		C
RH-IX2129SCZZ	10-189	AY		B
"	10-198	AY		B
RMOTZ2135AXZZ	7-5	AZ	N	B
RMOTZ2137AXZZ	8-34	AZ	N	B
RR-SZ3013SCZZ	13-89	AC	N	C
"	13-90	AC	N	C
"	13-93	AC	N	C
"	13-94	AC	N	C
RRLYD3221SCZZ	11-22	AN		B
RTRNZ2128XH01	11-65	AP		B
RUNTZ2021SCZZ	6-13	BF		B
[S]				
SPAKA220AAXZZ	9-7	AF	N	D
SPAKA221AAXZZ	9-8	AF	N	D
SPAKA222AAXZZ	9-9	AG	N	D
SPAKA223AAXZZ	9-10	AF	N	D
SPAKA393AAXZZ	9-4	AC	N	C
SPAKC225AAXZZ	9-11	AV	N	D
SPAKC249AAXZZ	9-11	AL	N	D
SPAKC324AAXZZ	9-11	AL	N	D
SPAKC367AAXZZ	9-11	AL	N	D
SPAKP4381AXZZ	9-12	AG		D
SSAKA2008AXZZ	9-13	AA	N	D
SSAKA2344QCZZ	9-14	AB		D
SSAKA3001CCZZ	9-2	AA		D
SSAKA3340QCZZ	9-3	AB		D
[T]				
TCADZ2550AXZZ	9-15	AK	N	D
TCADZ2561AXZZ	9-25	AF	N	D
TCADZ2588AXZZ	9-17	AB	N	D
TCADZ2603AXZZ	9-17	AC	N	D
TCADZ2606AXZZ	9-15	AK	N	D
TCADZ2631AXZZ	9-23	AC	N	D
TINSE3773AXZZ	9-18	AF	N	D
TINSE3796AXZZ	9-18	AF	N	D
TINSK3853AXZZ	9-18	AF	N	D
TINSK3865AXZZ	9-18	AE	N	D
TLABG4602AXZZ	1-49	AB	N	D
TLABH4238AXZG	9-24	AC	N	D
TLABH4496AXSA	9-19	AC	N	D
TLABH4496AXSC	9-19	AC	N	D
"	9-24	AC		D
TLABM4316AXZZ	9-16	AG	N	D
TLABM4537AXZZ	9-16	AG	N	D
TLABM4604AXZZ	9-21	AE	N	D
TLABN1235CCZZ	10-537	AA		D
TLABS4534SCZZ	1-50	AB	N	D
[U]				
UBATL0011FCZZ	10-1	AM		B
UDSKA2003SCZZ	9-20	AP	N	E
UDSKA2008SCZZ	9-20	AQ	N	E
[V]				
VCCCTV1HH100D	10-56	AA		C
"	10-57	AA		C
"	10-99	AA		C
"	10-100	AA		C
VCCCTV1HH101J	13-22	AA		C
"	13-31	AA		C
VCCCTV1HH102J	13-11	AA		C
"	13-20	AA		C
"	13-21	AA		C
"	13-23	AA		C
"	13-27	AA		C
"	13-29	AA		C
"	13-30	AA		C
"	13-32	AA		C

PARTS CODE	No.	PRICE RANK	NEW MARK	PART RANK
VCCCTV1HH102J	13-33	AA		C
"	13-39	AA		C
"	13-40	AA		C
"	13-42	AA		C
"	13-43	AA		C
"	13-44	AA		C
"	13-52	AA		C
VCCCTV1HH150J	10-34	AA		C
"	10-35	AA		C
"	10-69	AA		C
"	10-70	AA		C
"	13-35	AA		C
"	13-51	AA		C
VCCCTV1HH180J	10-45	AA		C
"	10-46	AA		C
VCCCTV1HH220J	13-36	AA		C
"	13-37	AA		C
VCCCTV1HH330J	10-19	AA		C
"	10-64	AA		C
VCCCTV1HH331J	13-5	AA		C
"	13-12	AA		C
VCCCTV1HH471J	13-6	AA		C
"	13-7	AA		C
VCCCTV1HH561J	13-24	AA		C
"	13-25	AA		C
"	13-46	AA		C
"	13-47	AA		C
VCCSTV1HL102J	10-68	AA		C
"	10-79	AA		C
VCCSTV1HL331J	10-97	AA		C
"	10-119	AA		C
VCCSTV1HL391J	10-85	AA		C
VCCSTV1HL471J	10-65	AC		C
VCCSTV1HL681J	10-81	AB		C
VCEAEA1CW106M	12-1	AC		C
"	12-2	AC		C
VCEAGA1CW107M	13-3	AC		C
VCEAGA1CW336M	10-9	AA		C
VCEAGA1CW476M	10-2	AB		C
"	10-3	AB		C
VCEAGA1EW226M	10-6	AB		C
VCEAGA1HW105M	10-7	AB		C
VCEAGA1HW107M	10-4	AA		C
"	10-5	AA		C
"	10-12	AA		C
VCEAGA1HW225M	11-13	AA		C
VCEAGA1HW226M	11-17	AB		C
VCEAGA1HW336M	10-11	AB		C
VCEAGA1HW475M	10-8	AA		C
"	11-7	AA		C
"	11-10	AA		C
"	11-12	AA		C
"	11-20	AA		C
VCEAGA1HW476M	10-10	AB		C
VCEAGU1VW107M	13-1	AB		C
VCEAPS476AF1C	15-1	AC		C
"	15-2	AC		C
"	15-5	AC		C
VCEAZU1VJ108M	13-2	AG	N	C
VCKYPU1HB102K	11-5	AA		C
"	11-6	AA		C
"	11-15	AA		C
"	11-16	AA		C
VCKYPU1HB103K	11-4	AA		C
VCKYPU1HB221K	11-14	AB		C
VCKYPU1HB222K	11-8	AA		C
"	11-11	AA		C
"	11-21	AA		C
VCKYPU1HB332K	11-18	AA		C
VCKYPU1HF223Z	11-19	AA		C
VCKYTQ1HF104Z	10-14	AA		C
"	10-80	AA		C
VCKYTV1CF105Z	10-13	AB		C
"	10-17	AB		C
"	10-39	AB		C
"	10-40	AB		C
"	10-66	AB		C
"	10-67	AB		C
"	10-83	AB		C
"	10-95	AB		C

PARTS CODE	No.	PRICE RANK	NEW MARK	PART RANK
VCKYTV1CF105Z	10-96	AB		C
"	10-103	AB		C
"	10-109	AB		C
"	10-112	AB		C
"	10-115	AB		C
"	10-118	AB		C
"	10-235	AB		C
"	10-236	AB		C
"	10-237	AB		C
VCKYTV1CF225Z	10-82	AD		C
"	10-86	AD		C
"	13-8	AD		C
"	13-16	AD		C
"	13-17	AD		C
"	13-45	AD		C
VCKYTV1EB104K	12-6	AA		C
VCKYTV1EF104Z	10-15	AA		C
"	10-16	AA		C
"	10-18	AA		C
"	10-22	AA		C
"	10-32	AA		C
"	10-33	AA		C
"	10-36	AA		C
"	10-37	AA		C
"	10-38	AA		C
"	10-41	AA		C
"	10-43	AA		C
"	10-48	AA		C
"	10-49	AA		C
"	10-50	AA		C
"	10-51	AA		C
"	10-52	AA		C
"	10-53	AA		C
"	10-54	AA		C
"	10-55	AA		C
"	10-58	AA		C
"	10-60	AA		C
"	10-71	AA		C
"	10-75	AA		C
"	10-76	AA		C
"	10-78	AA		C
"	10-84	AA		C
"	10-87	AA		C
"	10-88	AA		C
"	10-93	AA		C
"	10-94	AA		C
"	10-98	AA		C
"	10-102	AA		C
"	10-104	AA		C
"	10-105	AA		C
"	10-106	AA		C
"	10-107	AA		C
"	10-110	AA		C
"	10-111	AA		C
"	10-113	AA		C
"	10-114	AA		C
"	10-116	AA		C
"	10-117	AA		C
"	12-3	AA		C
"	12-4	AA		C
VCKYTV1HB102K	10-25	AA		C
"	10-26	AA		C
"	10-27	AA		C
"	10-28	AA		C
"	10-29	AA		C
"	10-74	AA		C
"	10-108	AA		C
"	10-120	AA		C
"	10-121	AA		C
"	10-122	AA		C
"	10-123	AA		C
"	10-124	AA		C
"	10-125	AA		C
"	10-126	AA		C
"	10-127	AA		C
"	10-128	AA		C
"	10-129	AA		C
"	10-130	AA		C
"	10-131	AA		C
"	10-132	AA		C

PARTS CODE	No.	PRICE RANK	NEW MARK	PART RANK
VCKYTV1HB103K	10-20	AB		C
"	10-21	AB		C
"	10-24	AB		C
"	10-62	AB		C
"	10-63	AB		C
"	10-72	AB		C
"	10-73	AB		C
"	10-92	AB		C
"	13-10	AB		C
"	13-54	AB		C
"	13-55	AB		C
"	13-56	AB		C
VCKYTV1HB121K	12-5	AA		C
VCKYTV1HB222K	10-30	AA		C
"	10-31	AA		C
"	10-42	AA		C
"	10-44	AA		C
"	10-47	AA		C
"	10-59	AA		C
"	10-61	AA		C
"	10-77	AA		C
"	10-89	AA		C
"	10-90	AA		C
"	10-91	AA		C
"	10-101	AA		C
VCKYTV1HB472K	10-23	AA		C
"	13-41	AA		C
VCKYTV1HF103Z	13-34	AA		C
"	13-50	AA		C
VCKYTV1HF104Z	13-4	AA		C
"	13-9	AA		C
"	13-13	AA		C
"	13-14	AA		C
"	13-15	AA		C
"	13-18	AA		C
"	13-19	AA		C
"	13-26	AA		C
"	13-28	AA		C
"	13-38	AA		C
"	13-48	AA		C
"	13-49	AA		C
"	13-53	AA		C
VCKYTV1HF223Z	15-3	AA		C
"	15-4	AA		C
VCQYNA1HM333K	11-9	AA		C
VHDDAP202U/-1	10-169	AB		B
VHDDA204K/-1	10-143	AC		B
"	10-144	AC		B
VHDERA81004-1	13-62	AE	N	B
"	13-63	AE	N	B
"	13-64	AE	N	B
"	13-65	AE	N	B
VHDRB411D/-1	10-146	AD		B
"	10-147	AD		B
"	10-148	AD		B
"	10-149	AD		B
"	10-150	AD		B
"	10-151	AD		B
"	10-152	AD		B
"	10-153	AD		B
"	10-154	AD		B
"	10-155	AD		B
"	10-156	AD		B
"	10-157	AD		B
"	10-158	AD		B
"	10-160	AD		B
"	10-161	AD		B
"	10-162	AD		B
"	10-163	AD		B
"	10-164	AD		B
"	10-165	AD		B
"	10-166	AD		B
"	10-167	AD		B
"	10-168	AD		B
"	10-170	AD		B
"	10-171	AD		B
"	10-172	AD		B
"	10-173	AD		B
VHD1SS133//1	11-24	AA		B
"	11-25	AA		B

PARTS CODE	No.	PRICE RANK	NEW MARK	PART RANK
VHD1SS133//1	11-26	AA		B
"	11-27	AA		B
VHD1SS355//1	10-145	AB		B
"	10-159	AB		B
"	12-10	AB		B
VHEHZ2C1///-1	11-68	AA		B
"	11-69	AA		B
"	11-71	AA		B
"	11-72	AA		B
VHEHZ27-1//1	11-70	AB		B
VHERD22FB3/-1	10-536	AC		B
VH1AD8051//1	10-175	AN	N	B
VH1BA10393F-1	13-79	AC		B
VH1HD74LS08-1	10-179	AD		B
VH1HECF4066BF	10-177	AF		B
"	10-182	AF		B
VH1LB1845//1	13-73	AY	N	B
VH1LC82103/-1	10-181	BA		B
VH1LZ9FJ49/-1	10-183	AV	N	B
VH1L6451///1	13-76	AX	N	B
"	13-78	AX	N	B
VH1MC14053DR2	10-178	AG		B
VH1NJM2113M-1	10-203	AG		B
VH1NJM2902M-1	10-187	AF		B
VH1NJM2904D-1	11-28	AG		B
VH1NJM311M/-1	12-12	AL		B
VH1NJM324M/-1	12-11	AH	N	B
VH1NJU6355E-1	10-202	AM		B
VH1PST596CMT1	10-204	AF		B
VH1R144AFXL/1	10-188	BM		B
VH1SH7040//1	10-185	BD	N	B
VH1SN74HC04NSR	10-200	AE	N	B
VH1SN74HC14NSR	10-186	AE	N	B
VH1SN74HC164NR	10-201	AF	N	B
VH1SN74LS244NR	10-196	AG		B
"	10-197	AG		B
VH1SN74LS245N	10-195	AR		B
VH1STA471A/-1	13-74	AK		B
VH1S2B257SL70	10-190	AL		B
"	10-199	AL		B
VH1TC16G331AF	13-77	BG	N	B
VH1TMP87PH47U	13-80	AZ	N	B
VH1ULN2003AN/	10-176	AE		B
VH1W24257S7LL	13-75	AP		B
VH1Z7040FBS0H	10-192	AZ		B
VH1Z7040FBS1H	10-194	AZ		B
VH174HCU04S-1	10-180	AF	N	B
"	10-184	AF	N	B
VH1PGL1F21A/-1	15-10	AN	N	B
VH1PGL480//1	12-9	AD		B
VH1PIS1U21A/-1	15-11	AP	N	B
VH1PPC814X//1	11-39	AE		B
VH1PPC817X7/-1	11-38	AD		B
VH1PPD410PI/-1	12-8	AE		B
VH1PSG206S//1	11-40	AG		B
"	13-81	AG		B
VH1VERZV5D471/	11-66	AC		B
"	11-67	AC		B
VH1VICPS07//1	10-174	AA		B
"	13-66	AA		B
"	13-67	AA		B
VH1VRA391PV6-1	11-1	AE		B
VRD-HT2EY000J	11-33	AA		C
"	11-34	AA		C
"	11-35	AA		C
VRD-HT2EY100J	10-217	AA		C
VRD-HT2EY102J	11-56	AA		C
"	11-58	AA		C
"	11-60	AA		C
VRD-HT2EY103J	11-49	AA		C
"	11-52	AA		C
"	11-53	AA		C
"	11-54	AA		C
VRD-HT2EY122J	13-95	AA		C
"	13-96	AA		C
VRD-HT2EY151J	11-63	AA		C
VRD-HT2EY152J	11-57	AA		C
"	11-59	AA		C
VRD-HT2EY153J	11-50	AA		C
"	11-61	AA		C

PARTS CODE	No.	PRICE RANK	NEW MARK	PART RANK
VRD-HT2EY221J	11-48	AA		C
VRD-HT2EY223J	11-47	AA		C
VRD-HT2EY300J	11-45	AA		C
VRD-HT2EY332J	11-55	AA		C
"	11-62	AA		C
VRD-HT2EY621J	11-51	AA		C
VRD-HT2EY910J	11-44	AA		C
VRD-HT2HY223J	11-46	AA		C
VRS-HT3AAR75J	13-91	AC	N	C
"	13-92	AC	N	C
VRS-TQ2BB000J	10-207	AA		C
"	10-208	AA		C
"	10-356	AA		C
"	10-494	AA		C
"	10-520	AA		C
VRS-TQ2BB200J	10-367	AA		C
VRS-TQ2BB222J	10-529	AA		C
VRS-TQ2BB561J	10-513	AA		C
VRS-TV2AB000J	10-209	AA		C
"	10-210	AA		C
"	10-211	AA		C
"	10-240	AA		C
"	10-241	AA		C
"	10-242	AA		C
"	10-243	AA		C
"	10-268	AA		C
"	10-272	AA		C
"	10-273	AA		C
"	10-274	AA		C
"	10-275	AA		C
"	10-292	AA		C
"	10-299	AA		C
"	10-315	AA		C
"	10-317	AA		C
"	10-327	AA		C
"	10-335	AA		C
"	10-336	AA		C
"	10-342	AA		C
"	10-343	AA		C
"	10-376	AA		C
"	10-387	AA		C
"	10-388	AA		C
"	10-389	AA		C
"	10-403	AA		C
"	10-404	AA		C
"	10-405	AA		C
"	10-406	AA		C
"	10-422	AA		C
"	10-449	AA		C
"	10-527	AA		C
"	10-530	AA		C
"	13-145	AA		C
"	13-170	AA		C
"	13-172	AA		C
"	13-175	AA		C
VRS-TV2AB100J	10-368	AD		C
"	10-371	AD		C
"	10-409	AD		C
"	10-410	AD		C
"	10-411	AD		C
"	10-412	AD		C
"	10-413	AD		C
"	10-427	AD		C
"	10-428	AD		C
"	10-429	AD		C
"	10-430	AD		C
"	10-451	AD		C
"	10-452	AD		C
"	10-453	AD		C
"	10-454	AD		C
"	10-455	AD		C
"	10-456	AD		C
"	10-457	AD		C
"	10-458	AD		C
"	10-460	AD		C
"	10-461	AD		C
VRS-TV2AB101J	10-219	AA		C
"	10-220	AA		C
"	10-221	AA		C
"	10-222	AA		C

PARTS CODE	No.	PRICE RANK	NEW MARK	PART RANK
VRS-TV2AB101J	10-223	AA		C
"	10-224	AA		C
"	10-225	AA		C
"	10-226	AA		C
"	10-227	AA		C
"	10-252	AA		C
"	10-253	AA		C
"	10-254	AA		C
"	10-255	AA		C
"	10-256	AA		C
"	10-257	AA		C
"	10-258	AA		C
"	10-259	AA		C
"	10-284	AA		C
"	10-287	AA		C
"	10-289	AA		C
"	10-303	AA		C
"	10-311	AA		C
"	10-312	AA		C
"	10-314	AA		C
"	10-339	AA		C
"	10-380	AA		C
"	10-384	AA		C
"	10-386	AA		C
"	10-438	AA		C
"	10-492	AA		C
"	10-493	AA		C
"	10-518	AA		C
"	10-519	AA		C
"	10-528	AA		C
VRS-TV2AB102J	10-239	AA		C
"	10-249	AA		C
"	10-277	AA		C
"	10-278	AA		C
"	10-288	AA		C
"	10-331	AA		C
"	10-353	AA		C
"	10-396	AA		C
"	10-400	AA		C
"	10-420	AA		C
"	10-421	AA		C
"	13-101	AA		C
"	13-113	AA		C
"	13-155	AA		C
VRS-TV2AB103J	10-238	AA		C
"	10-244	AA		C
"	10-247	AA		C
"	10-250	AA		C
"	10-262	AA		C
"	10-279	AA		C
"	10-280	AA		C
"	10-281	AA		C
"	10-282	AA		C
"	10-283	AA		C
"	10-291	AA		C
"	10-297	AA		C
"	10-301	AA		C
"	10-302	AA		C
"	10-304	AA		C
"	10-305	AA		C
"	10-306	AA		C
"	10-307	AA		C
"	10-308	AA		C
"	10-318	AA		C
"	10-320	AA		C
"	10-321	AA		C
"	10-322	AA		C
"	10-323	AA		C
"	10-326	AA		C
"	10-332	AA		C
"	10-333	AA		C
"	10-334	AA		C
"	10-337	AA		C
"	10-338	AA		C
"	10-341	AA		C
"	10-344	AA		C
"	10-345	AA		C
"	10-347	AA		C
"	10-349	AA		C
"	10-352	AA		C

PARTS CODE	No.	PRICE RANK	NEW MARK	PART RANK
VRS-TV2AB103J	10-354	AA		C
"	10-362	AA		C
"	10-365	AA		C
"	10-372	AA		C
"	10-373	AA		C
"	10-374	AA		C
"	10-375	AA		C
"	10-377	AA		C
"	10-378	AA		C
"	10-379	AA		C
"	10-381	AA		C
"	10-382	AA		C
"	10-383	AA		C
"	10-385	AA		C
"	10-390	AA		C
"	10-391	AA		C
"	10-392	AA		C
"	10-393	AA		C
"	10-394	AA		C
"	10-395	AA		C
"	10-397	AA		C
"	10-399	AA		C
"	10-414	AA		C
"	10-415	AA		C
"	10-416	AA		C
"	10-419	AA		C
"	10-425	AA		C
"	10-433	AA		C
"	10-459	AA		C
"	10-522	AA		C
"	10-523	AA		C
"	10-524	AA		C
"	10-525	AA		C
"	10-526	AA		C
"	12-14	AA		C
"	12-15	AA		C
"	12-18	AA		C
"	12-21	AA		C
"	12-22	AA		C
"	12-24	AA		C
"	13-119	AA		C
"	13-132	AA		C
"	13-144	AA		C
"	13-167	AA		C
"	13-178	AA		C
"	13-179	AA		C
VRS-TV2AB104J	10-418	AA		C
"	12-29	AA		C
VRS-TV2AB105J	10-286	AA		C
"	10-330	AA		C
"	13-150	AA		C
VRS-TV2AB122J	10-495	AA		C
"	10-496	AA		C
"	10-497	AA		C
"	10-498	AA		C
"	10-499	AA		C
"	10-500	AA		C
"	10-501	AA		C
"	10-502	AA		C
"	10-503	AA		C
"	10-504	AA		C
"	10-505	AA		C
"	10-506	AA		C
"	10-507	AA		C
"	10-508	AA		C
"	10-509	AA		C
"	10-510	AA		C
"	10-511	AA		C
"	10-512	AA		C
VRS-TV2AB124J	12-23	AA		C
VRS-TV2AB133J	10-360	AA		C
VRS-TV2AB151J	12-27	AA		C
"	12-28	AA		C
VRS-TV2AB152J	10-358	AB		C
"	13-104	AB		C
"	13-106	AB		C
"	13-108	AB		C
"	13-111	AB		C
VRS-TV2AB154J	10-417	AB		C
VRS-TV2AB183J	10-295	AD		C

PARTS CODE	No.	PRICE RANK	NEW MARK	PART RANK
VRS-TV2AB201J	10-285	AA		C
VRS-TV2AB203J	10-248	AA		C
"	10-251	AA		C
"	10-276	AA		C
VRS-TV2AB222J	12-17	AA		C
"	12-19	AA		C
"	13-105	AA		C
"	13-107	AA		C
"	13-109	AA		C
"	13-110	AA		C
VRS-TV2AB223J	13-99	AA		C
"	13-123	AA		C
"	13-169	AA		C
VRS-TV2AB271J	10-228	AA		C
"	10-229	AA		C
"	10-260	AA		C
"	10-261	AA		C
"	10-263	AA		C
"	10-265	AA		C
"	10-266	AA		C
"	10-267	AA		C
"	10-269	AA		C
"	10-290	AA		C
"	10-348	AA		C
"	10-357	AA		C
"	10-401	AA		C
"	10-402	AA		C
"	10-423	AA		C
"	10-424	AA		C
"	10-434	AA		C
"	10-435	AA		C
VRS-TV2AB302J	10-264	AA		C
"	10-270	AA		C
"	10-271	AA		C
"	10-296	AA		C
"	10-300	AA		C
"	10-319	AA		C
"	10-329	AA		C
VRS-TV2AB330J	10-218	AD		C
"	10-245	AD		C
"	10-246	AD		C
"	10-436	AD		C
"	10-437	AD		C
"	10-439	AD		C
"	10-440	AD		C
"	10-441	AD		C
"	10-442	AD		C
"	10-443	AD		C
"	10-444	AD		C
"	10-445	AD		C
"	10-446	AD		C
"	10-447	AD		C
"	10-448	AD		C
"	10-462	AD		C
"	10-463	AD		C
"	10-464	AD		C
"	10-465	AD		C
"	10-484	AD		C
"	10-485	AD		C
"	10-486	AD		C
"	10-487	AD		C
"	10-488	AD		C
"	10-489	AD		C
"	10-490	AD		C
"	10-491	AD		C
"	10-514	AD		C
"	10-515	AD		C
"	10-516	AD		C
"	10-517	AD		C
VRS-TV2AB331J	13-176	AD		C
"	13-177	AD		C
VRS-TV2AB332J	10-316	AA		C
"	10-363	AA		C
"	12-30	AA		C
"	13-146	AA		C
VRS-TV2AB333J	10-294	AD		C
"	10-324	AD		C
"	10-325	AD		C
"	10-340	AD		C
"	10-350	AD		C



**M E M O**

# SHARP

**COPYRIGHT © 1998 BY SHARP CORPORATION**

**ALL RIGHTS RESERVED.**

No part of this publication may be reproduced, stored in a retrieval system, or transmitted in any form or by any means, electronic, mechanical, photocopying, recording, or otherwise, without prior written permission of the publisher.

**SHARP CORPORATION**  
**Communication Systems Group**  
**Quality & Reliability Control Center**  
**Higashihiroshima, Hiroshima 739-0192, Japan**  
**Printed in U.S.A.**

**A9805-2256SS•IS•M**