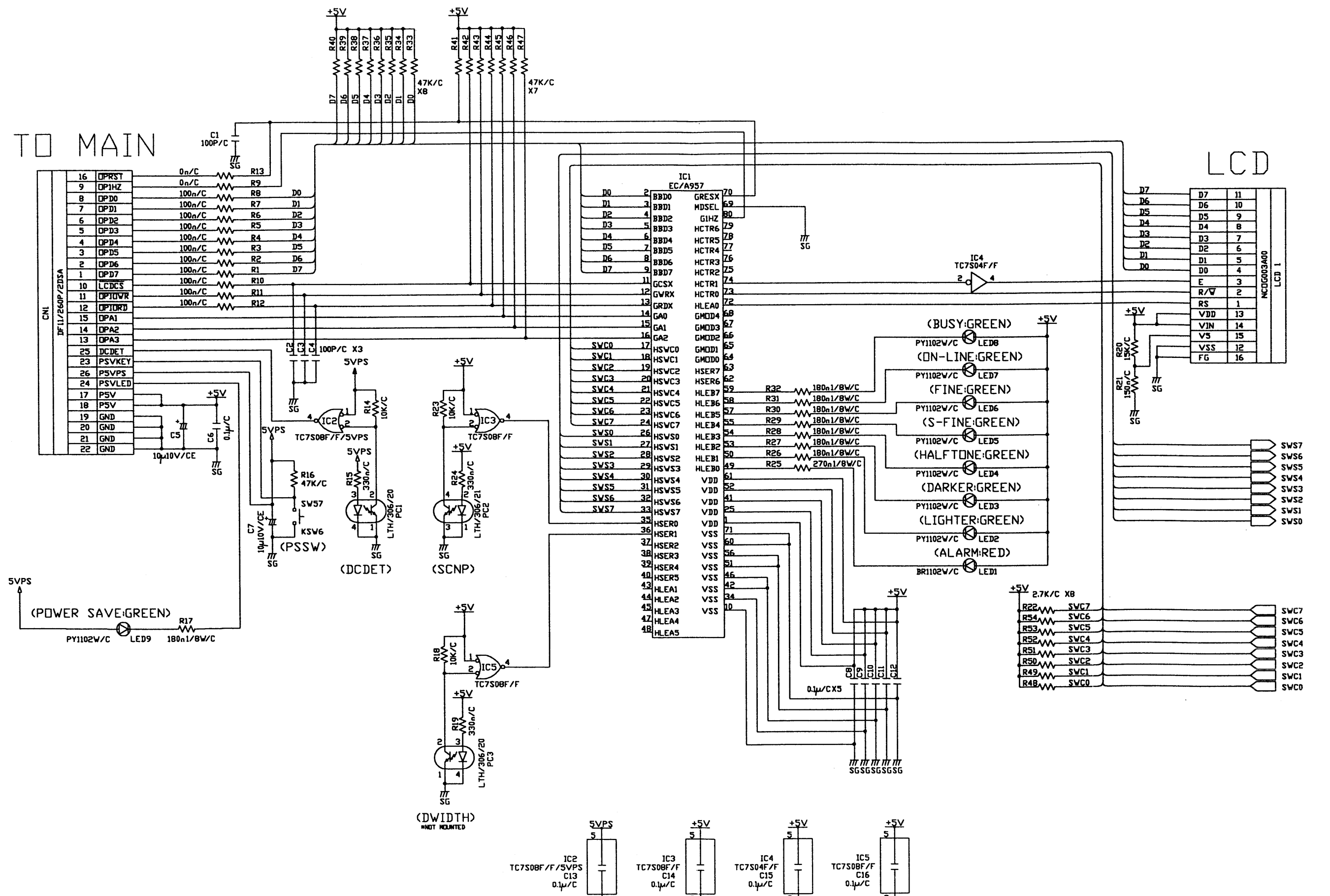
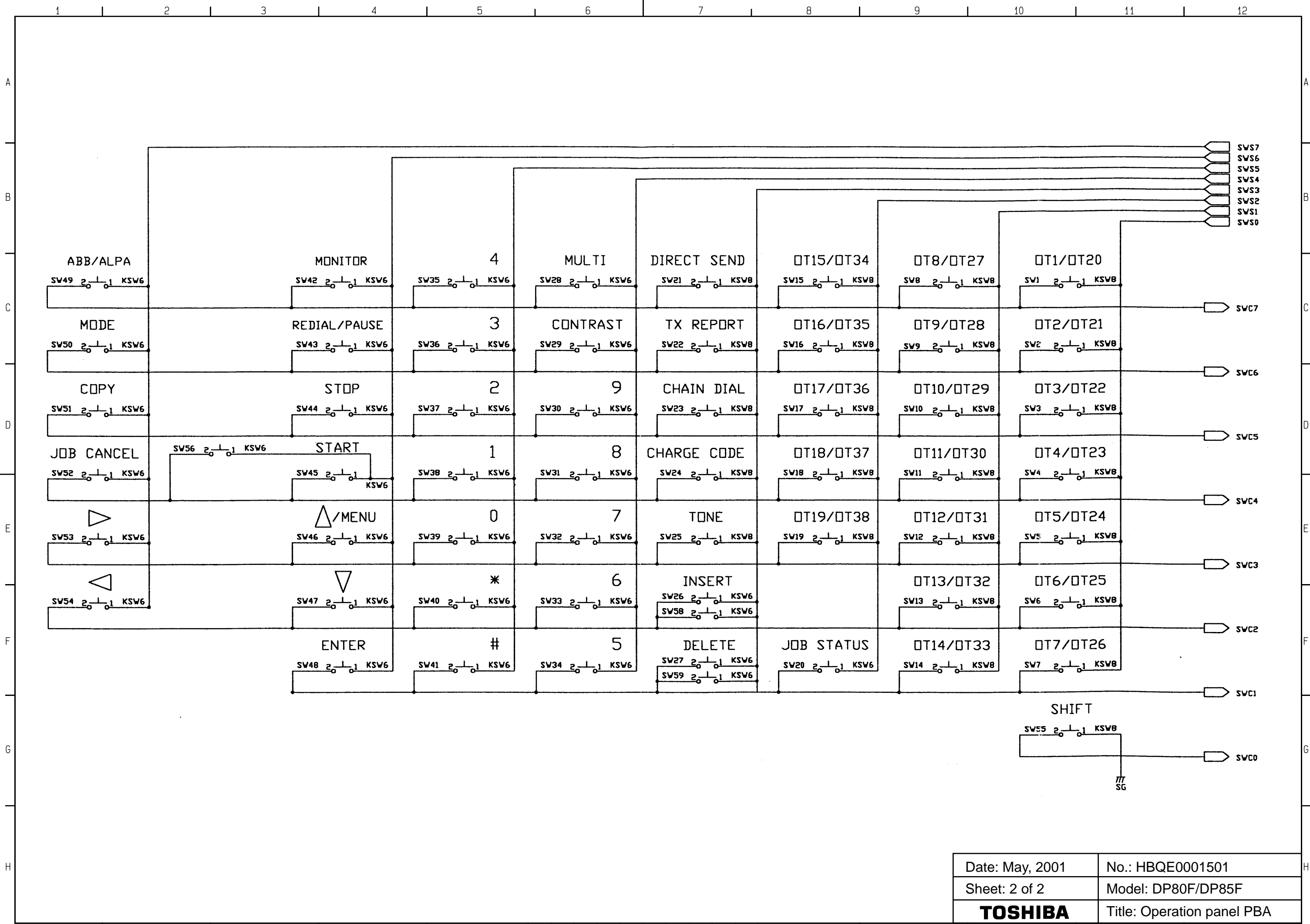


TO MAIN

LCD



Date: May, 2001	No.: HBQE0001501
Sheet: 1 of 2	Model: DP80F/DP85F
TOSHIBA	Title: Operation panel PBA



Date: May, 2001	No.: HBQE0001501
Sheet: 2 of 2	Model: DP80F/DP85F
TOSHIBA	Title: Operation panel PBA