



MINOLTA

Parts Catalog

The essentials of imaging

SB-1

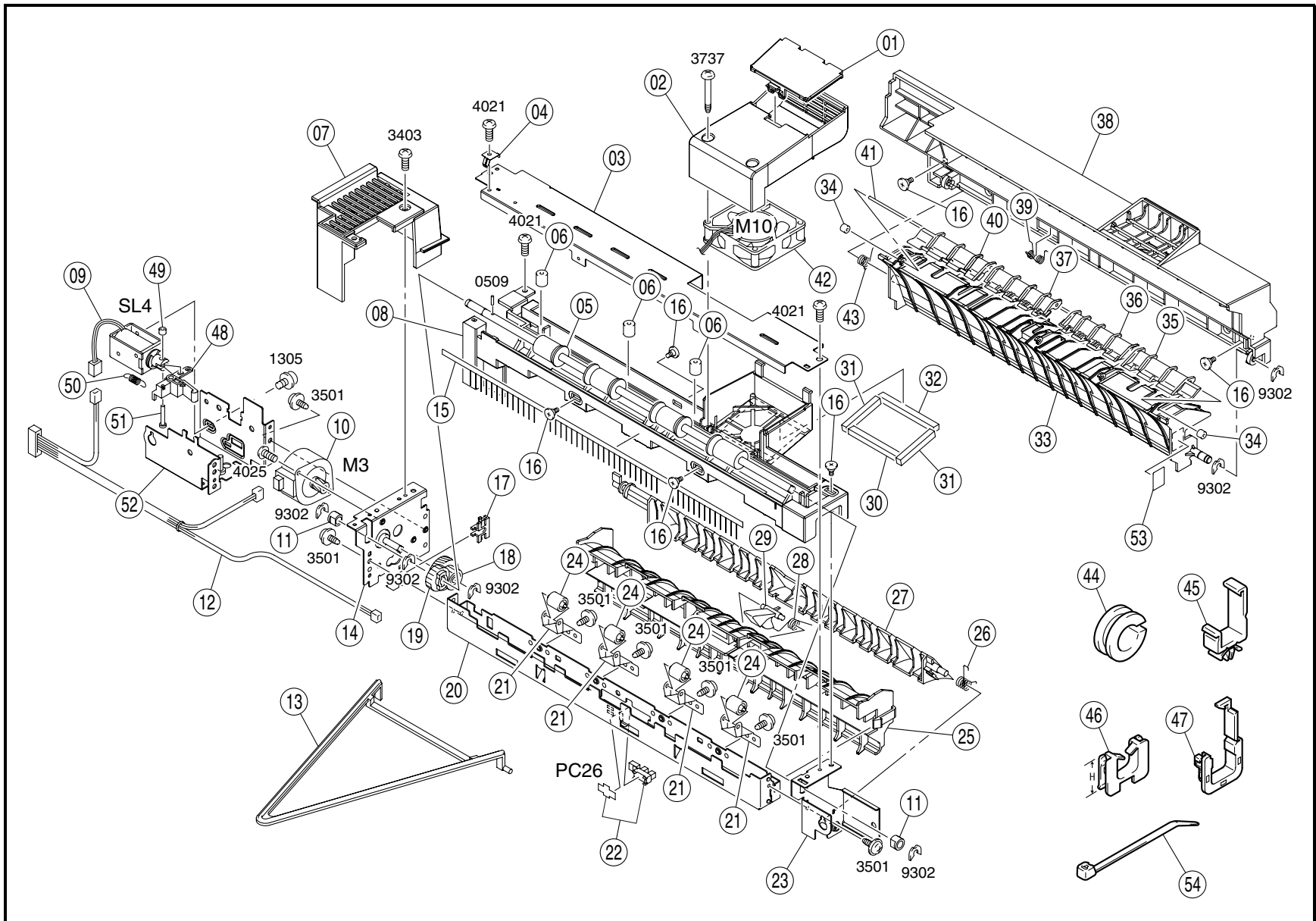
PREFACE

1. The part numbers listed in Parts Catalog are those which were assigned to the parts making up the machine at the time machine was originally introduced onto the market.
2. Parts whose INDEX numbers are shown white against a black background in the illustration are those to be used in only certain market areas. These part numbers are given in the lower half part of the list section. Check the SFIX No. listed in SFIX CHART on page II to find which part number is applicable to your own area.
3. Parts whose INDEX numbers are shown black against a white background in the illustration are those to be used in all market areas. These parts are listed on the upper half part of the list section.
4. If "NS" follows a part number given in the list section, it indicates that we do not keep a stock of the part. The part is not required for ordinary service jobs, either.
5. If "RP" is shown in the REC column of the list section, it indicates that the part is functionally important.
6. In the exploded views in this Parts Catalog the parts (Screws & Washes, etc...) which are indicated with a "four-digit" numbers are listed in numerical order in the section "SCREWS AND WASHERS". Please check these "four-digit" numbers with the part numbers ("ten-digit" numbers) which should be used for ordering the part.
7. All part numbers consist of "ten-digit" which should all be quoted when ordering a part. The price of parts can be obtained by referring to the "Parts Price List" which is separately issued.
8. All information contained in this Parts Catalog is subject to change.

CONTENTS

1. SWITCHBACK UNIT 1
2. SCREWS AND WASHERS 3
3. NUMERICAL INDEX 4

JUNE 2003



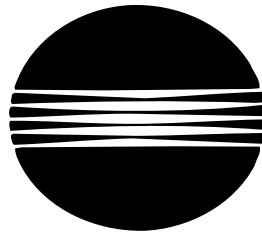
INDEX	PART NO.	PART NAME	REC	QTY	INDEX	PART NO.	PART NAME	REC	QTY
01	4030-3836-01	DUCT		1	28	4030-3819-01	TORSION SPRING		1
02	4030-3835-01	DUCT		1	29	4030-3818-02	ACTUATOR		1
03	4030-3802-01	FRAME		1	30	4030-3839-01	SEAL		1
04	4030-3834-01	EARTH GROUND		1	31	4030-3838-02	SEAL		2
05	4030-3815-01	ROLLER		1	32	4030-3837-01	SEAL		1
06	4498-3388-01	COLLAR		3	33	4030-3806-02	GUIDE		1
07	4030-3820-01	COVER		1	34	1134-3041-01	COLLAR		2
08	4030-3803-02	COVER		1	35	4030-3814-01	GUIDE		1
09	9321-2200-31	SOLENOID		1	36	4030-3813-01	GUIDE		1
10	9314-1200-91	MOTOR		1	37	4030-3812-01	GUIDE		1
11	1139-3169-01	BUSHING		2	38	4030-3804-02	DOOR		1
12	4030-6824-01	WIRE HARNESS ASSY		1	39	4030-3825-02	TORSION SPRING		1
13	4641-4504-02	GUIDE		1	40	4030-3811-01	GUIDE		1
14	4030-0206-01	BRACKET ASSY		1	41	4030-3829-01	SHAFT		1
15	4030-3833-01	NEUTRALIZING BRUSH		1	42	9313-1100-51	FAN MOTOR	FUSING (M10)	1
16	4011-5852-02	SHOULDER SCREW		6	43	4030-3824-01	TORSION SPRING		1
17	4030-3823-01	BUSHING		1	44	1031-4403-01	RING		1
18	4030-3821-01	GEAR		1	45	9384-1310-91	WIRING SADDLE 18.5H		3
19	4030-3826-01	GEAR		1	46	9384-2010-21	EDGE COVER 8.5H		3
20	4030-3801-02	NS FRAME		1	47	9384-2910-31	EDGE COVER		1
21	4030-3817-01	PLATE SPRING		4	48	4030-3809-01	LEVER		1
22	4131-0902-01	PHOTO INTERRUPTER		1	49	1200-2105-02	COLLAR		1
23	4030-3805-02	GUIDE		1	50	4030-3810-01	TENSION SPRING		1
24	4426-4411-02	ROLL		4	51	4002-3779-01	PIN		1
25	4030-3830-01	FRAME		1	52	4030-0207-02	BRACKET ASSY		1
26	4030-3808-01	TORSION SPRING		1	53	4030-7342-01	LABEL		1
27	4030-3807-03	GUIDE		1	54	9384-1311-11	CABLE TIE 104L		2
INDEX	PART NO.	PART NAME	REC	QTY	SFIX				

3

NUMERICAL INDEX

SB-1

PART NO.	FIG.	INDEX	QTY		PART NO.	FIG.	INDEX	QTY		PART NO.	FIG.	INDEX	QTY		PART NO.	FIG.	INDEX	QTY	
1031-4403-01	01	44	1																
1134-3041-01	01	34	2																
1139-3169-01	01	11	2																
1200-2105-02	01	49	1																
4002-3779-01	01	51	1																
4011-5852-02	01	16	6																
4030-0206-01	01	14	1																
4030-0207-02	01	52	1																
4030-3801-02	01	20	1																
4030-3802-01	01	03	1																
4030-3803-02	01	08	1																
4030-3804-02	01	38	1																
4030-3805-02	01	23	1																
4030-3806-02	01	33	1																
4030-3807-03	01	27	1																
4030-3808-01	01	26	1																
4030-3809-01	01	48	1																
4030-3810-01	01	50	1																
4030-3811-01	01	40	1																
4030-3812-01	01	37	1																
4030-3813-01	01	36	1																
4030-3814-01	01	35	1																
4030-3815-01	01	05	1																
4030-3817-01	01	21	4																
4030-3818-02	01	29	1																
4030-3819-01	01	28	1																
4030-3820-01	01	07	1																
4030-3821-01	01	18	1																
4030-3823-01	01	17	1																
4030-3824-01	01	43	1																
4030-3825-02	01	39	1																
4030-3826-01	01	19	1																
4030-3829-01	01	41	1																
4030-3830-01	01	25	1																
4030-3833-01	01	15	1																
4030-3834-01	01	04	1																
4030-3835-01	01	02	1																
4030-3836-01	01	01	1																
4030-3837-01	01	32	1																
4030-3838-02	01	31	2																
4030-3839-01	01	30	1																
4030-6824-01	01	12	1																
4030-7342-01	01	53	1																
4131-0902-01	01	22	1																
4426-4411-02	01	24	4																
4498-3388-01	01	06	3																
4641-4504-02	01	13	1																
9313-1100-51	01	42	1																
9314-1200-91	01	10	1																
9321-2200-31	01	09	1																
9384-1310-91	01	45	3																
9384-1311-11	01	54	2																
9384-2010-21	01	46	3																
9384-2910-31	01	47	1																



MINOLTA

Copyright
2003 MINOLTA Co., Ltd.

Use of this catalog should be strictly supervised to avoid disclosure
of confidential information.

MINOLTA Co., Ltd.

7665-4526-21 03061500